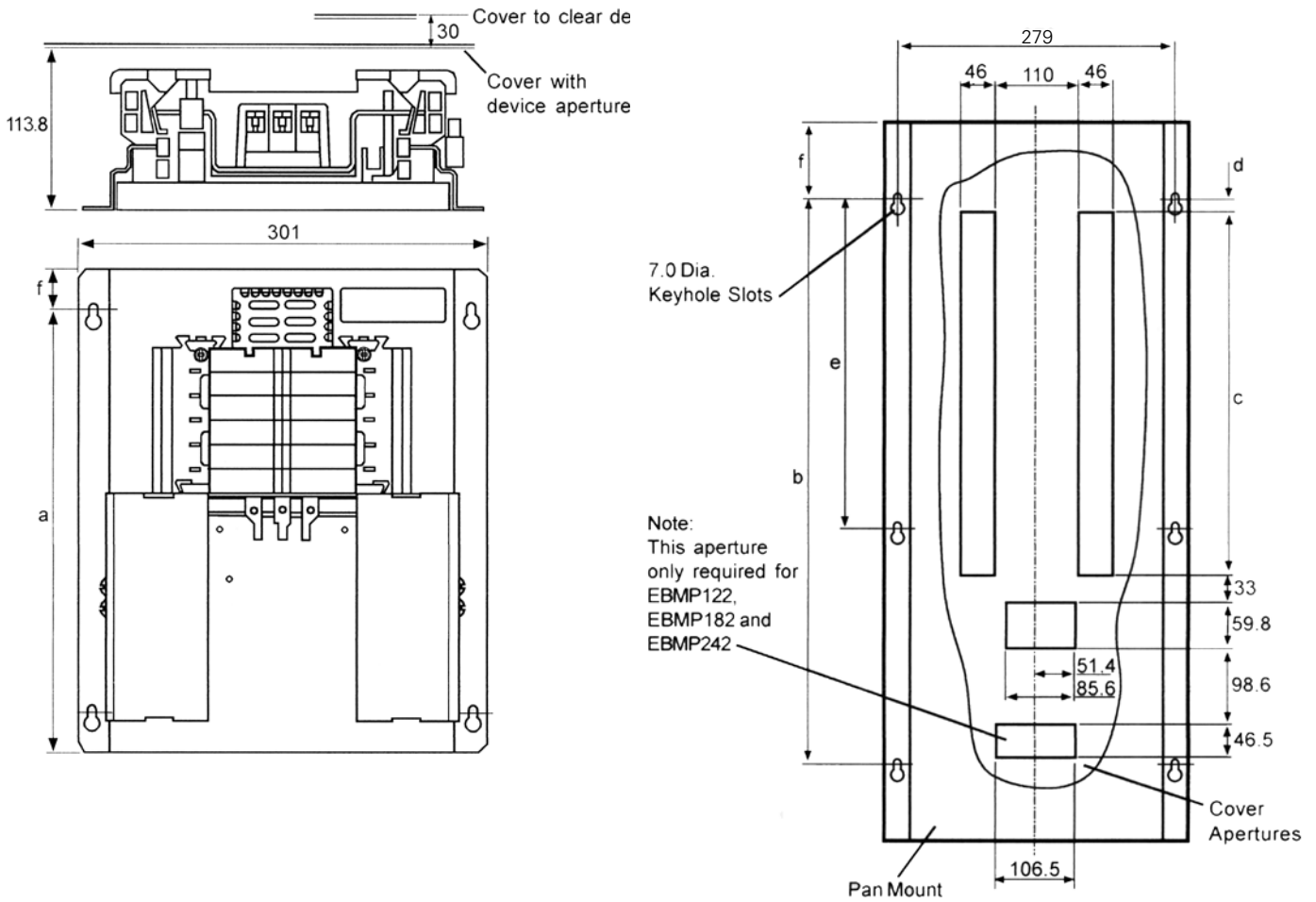


List No.	Dimensions (mm)										Minimum recommended enclosure size (mm)
	a	b	c	d	e	f	g	h	j		
EAMP4	190	105.5	107.7	48.8	180	160	96	70	77	238 (W) x 254 (L)	
EAMP7	274	129.5	160.9	79	180	214	96	70	107	292 (W) x 254 (L)	
EAMP10	328	164	214.1	127.5	180	266	96	70	127.5	346 (W) x 254 (L)	
EAMP13	382	183.5	267.3	131.3	192	319	109	82	161	440 (W) x 260 (L)	
EAMP16	435	226.5	320.5	141.5	198	372	105	79	171	495 (W) x 260 (L)	

10.1

Technical data

Memshield 3 type B TPN pan assemblies



List No.	Dimensions (mm)						Minimum recommended enclosure size (mm)
	a	b	c	d	e	f	
EBMP41	333.6	303.3	107.5	35.7	–	21	440 (W) x 425 (L)
EBMP61	413.7	383.5	160.6	35.7	–	21	440 (W) x 478 (L)
EBMP81	511.5	481.2	213.7	53.2	–	21	440 (W) x 560 (L)
EBMP121	638.1	589.2	319.9	22.2	–	40	440 (W) x 720 (L)
EBMP122	750	710	319.9	16.7	336.5	40	440 (W) x 861 (L)
EBMP182	910	870	479.2	16.7	435	40	440 (W) x 1016 (L)
EBMP242	1070	1030	638.5	16.7	515	40	440 (W) x 1176 (L)