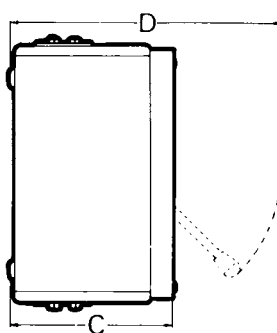
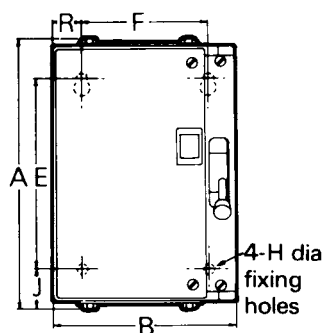


Glasgow fuse-switch-disconnectors and switch-disconnectors dimensions

| Nominal unit rating, In (A) | Poles | Dimensions, mm | | | | | | | | |
|-----------------------------|-----------------------|----------------|-----|-----|-----|-----|-----|-----|----|----|
| | | A | B | C | D | E | F | H | J | R |
| 63 | SPSN, DP TPN, TPSN | 289 | 199 | 180 | 283 | 203 | 127 | 7.9 | 43 | 36 |
| | | 289 | 275 | 180 | 283 | 203 | 203 | 7.9 | 43 | 36 |
| 100 | SPSN, DP TPN, TPSN | 327 | 199 | 180 | 283 | 241 | 127 | 7.9 | 43 | 35 |
| | | 327 | 275 | 180 | 283 | 241 | 203 | 7.9 | 43 | 35 |
| 160, 200 | SPSN, DP TPN, TPSN | 431 | 280 | 229 | 383 | 340 | 140 | 7 | 45 | 70 |
| | | 431 | 340 | 229 | 383 | 340 | 200 | 7 | 45 | 70 |
| 315, 400 | TPN, TPSN | 501 | 467 | 291 | 545 | 385 | 375 | 10 | 58 | 46 |
| 500, 630, 800 | TPN, TPSN | 596 | 680 | 381 | 715 | 440 | 550 | 14 | 78 | 65 |



Units have retractable handles. 'D' dimension indicates fully extended operating position.

Rating to BS EN 60947-3 general performance characteristics

| Nominal unit rating, Ie (A) | Utilisation category at Ue 415V to BS EN 60947-3 | | |
|-----------------------------|--|-----------------------------------|----------|
| | Switch-disconnector AC21A Ie | Fuse-switch-disconnector AC22A Ie | AC23A Ie |
| 63 | 125A | 63A | 41A |
| 100 | 125A | 100A | 41A |
| 160 | Use 200A | 160A | 160A |
| 200 | 315A | 200A | 160A |
| 315 | Use 400A | 315A | 200A |
| 400 | 400A | 400A | 200A |
| 500 | Use 630A | 500A | 385A |
| 630 | 630A | 630A | 385A |
| 800 | 800A | 800A | 500A |

Operational performance

- In accordance with BS EN 60947-3: "A" categories all ratings have been tested to values specified below:

| Rated operational current, Ie (A) | Operating cycles | | Total |
|-----------------------------------|------------------|--------------|--------|
| | Without current | With current | |
| 63–100 | 8,500 | 1,500 | 10,000 |
| 160–315 | 7,000 | 1,000 | 8,000 |
| 400–630 | 4,000 | 1,000 | 5,000 |
| 800 | 2,500 | 500 | 3,000 |