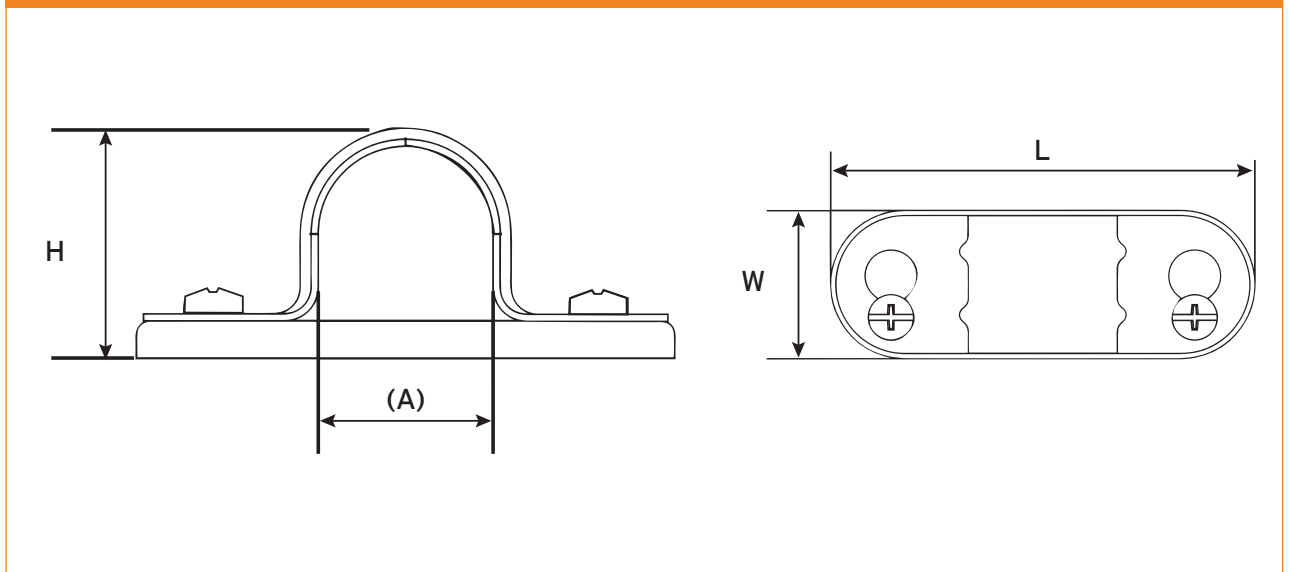


Spacer Bar Saddles



Technical Drawing



Technical Specifications

List No	SB20B	SB20G	SBS20W	SB25G	SBS25W	SB32G
Material	Steel	Steel	Steel	Steel	Steel	Steel
Size Nominal (A)	20mm	20mm	20mm	25mm	25mm	32mm
Standard of Compliance	BS 4568 & BS31	BS 4568 & BS31	BS 4568 & BS31	BS 4568 & BS31	BS 4568 & BS31	BS 4568 & BS31
Finish	Black	BZP	White	BZP	White	BZP
Pack Size	100	100	100	100	100	50
Dimensions H x W x L	25 x 20 x 60mm	25 x 20 x 60mm	25 x 20 x 60mm	30 x 22 x 65mm	30 x 22 x 65mm	36x x 22 x 70mm