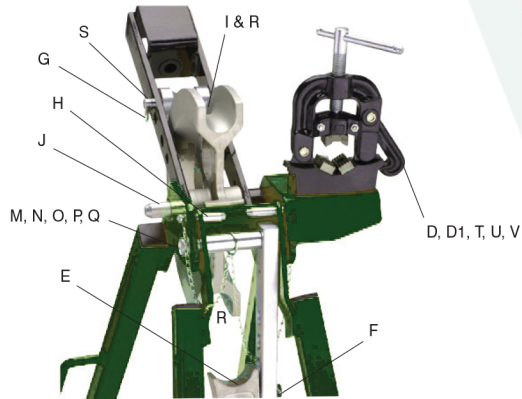
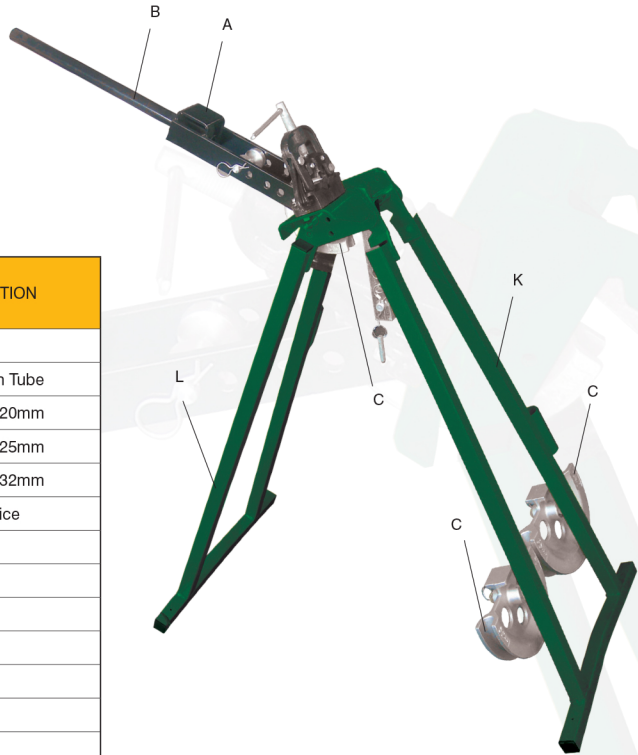


Xiphos™

Parts List

REF.	Xiphos™ PART NUMBER	DESCRIPTION
A		Bending Lever
B		Handle Extension Tube
C	BENF20	Bending Former 20mm
C	BENF25	Bending Former 25mm
C	BENF32	Bending Former 32mm
D	BENPV	Complete Pipe Vice
D1	BENJAW	Vice Jaw S
E	BENTS	Tube Stop
F	BENSB	Stop Bar
G	BENRC	Retaining CLip
H		Pivot Pin
I	BENGR	Grooved Roller
J	BENCP	Former Pin
K		Support
L		Main Body
M		Special Bolt
N		Flat Washer 12mm
O	BENRP	Stop Bar Holder
P		Lock Nut M12-1.75
Q	BENSP	Chain with Ring
R	BENROL	Grooved Roller Pin
S		Hexagon Bolt M8-1.25:25
T		Flat Washer 8mm
U		Hexagon Nut M8-1.25



- Tough, stable frame.
- Range of quality accessories
- Market-leading jaw design
- Strong and attractive packaging for easy storage & distribution



Xiphos™

Conduit Bending Machine and accessories



Xiphos™ Conduit Bending Machine

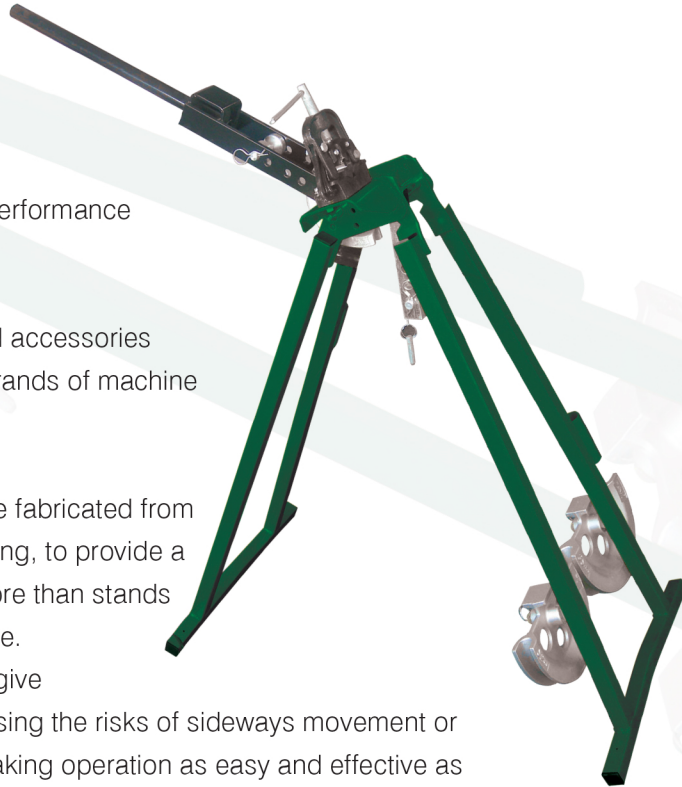
- High build quality and performance
- Competitive prices
- Improved features
- Full range of spares and accessories
- compatible with other brands of machine

Our bending machines are fabricated from 30mm square section tubing, to provide a rock solid frame which more than stands up to the rigors of daily use.

The frame is designed to give maximum stability, minimising the risks of sideways movement or skidding across floors, making operation as easy and effective as possible.

The formers - which are key to creating a perfect bend - are machined, cast aluminium. This means they create a superior and highly accurate bend, as the machined area provides a perfect profile to support the pipe, gives excellent contact and there is virtually no movement.

Xiphos Benders are superior to most other brands, who tend to use non-machined die casts.



Xiphos™ Accessories



BEN-PV
2" / 50mm Pipe Vice
Also fits HILMORE
EL25, EL32



BEN-GR
Grooved Roller
Also fits HILMORE
EL25, EL32



BEN-SP
Safety Pin
Also fits HILMORE EL25,
EL32, CM35 & CM42



BEN-ROL
Grooved Roller Pin
Also fits HILMORE EL25,
EL32, CM35 & CM42



BEN-TS
Tube Stop
Also fits HILMORE EL25,
EL32, CM35 & CM42



BEN-F20
Bending Former 20mm
Also fits HILMORE EL25



BEN-F25
Bending Former 25mm
Also fits HILMORE EL25



BEN-F32
Bending Former 32mm
Also fits HILMORE EL25, EL32, CM35 & CM42



BEN-JAW
Pipe Vice Jaw Set
Also fits HILMORE EL25,
EL32, CM35 & 32mm



DIE
Stock & Dies Set
Sizes: 20mm, 25mm



BEN-RC
Retaining Clip
Also fits HILMORE EL25, EL32, CM35 & CM42



BEN-RP
Stop Bar Holder
Also fits HILMORE EL25, EL32, CM35 & CM42



BEN-SB
Stop Block Bar
Also fits HILMORE EL25, EL32



BEN-CP
Former Pin
Also fits HILMORE EL25, EL32, CM35 & CM42