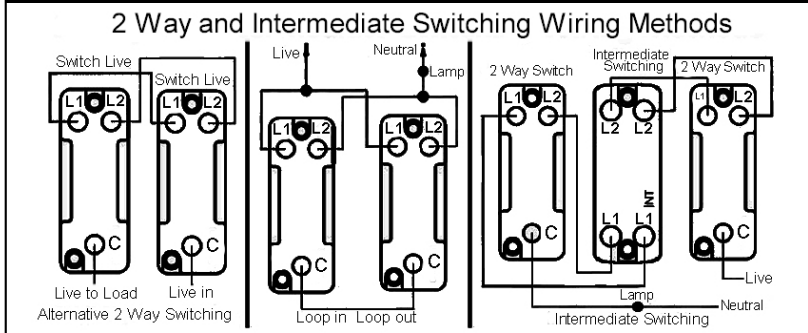




Order Code :
 74C R232 SS-W
 Hartland CFX Satin Steel 3 gang 2 Way
 20AX Rocker. Standard Insert will be Satin
 Steel with a White surround.

Attributes

Primary Range	Hartland CFX
Insrt	R232
Plate material	Metal
Size (double) height	86mm
Size (double) width	145mm
Size (double) depth	5mm
Box fixing hole centres	120.6mm
Grid fixing hole centres	Grid fixing inserts are available on Hartland CFX plates. Refer to GRID-IT Technical Pages and GRID-IT catalogue for full details.
Minimum wall box depth	25mm
Current rating	20AX
Voltage	220/250V AC
Max load	20 Amp inductive
IP rating	IP2XD
Switched Poles	Single
Contact Gap Minimum	3mm
Terminal Capacity 1	5 x 1mm ²
Terminal Capacity 2	4 x 1.5mm ²
Terminal Capacity 3	2 x 2.5mm ²
Terminal Capacity 4	2 x 4mm ² Multi-Strand
Terminal Capacity 5	1 x 6mm ²
Earth Terminal Capacity 1	6 x 1mm ²
Earth Terminal Capacity 2	5 x 1.5mm ²
Earth Terminal Capacity 3	3 x 2.5mm ²
Earth Terminal Capacity 4	2 x 4mm ² Multi-Strand
Earth Terminal Capacity 5	1 x 6mm ²
Product Class 1	Must be earthed
Ambient Operating Temperature	-5Å° to +40Å°C
Recommended Location	Indoor use only
Max installation Altitude	2000m
BS EN ISO Standard	BS EN 60669-1
Patents And Trademarks	CFX is a Registered Trade Mark No 2398667 Hartland CFX is a Registered Design under Reference Nos. R21 = 3023446 SS2 =3023445



All products listed conform to current British or European standards and the product information is correct at the time of going to press.	All accessories are manufactured under an accredited BS EN ISO 9001 : 2008 Quality System.	It is the policy of the company to continually improve products as part of our development programme. Therefore, we reserve the right to alter designs and dimensions without prior notice.
Illustrations and diagrams are reproduced within the limitations of reproductions and printing processes are not binding.	Due to manufacturing processes we cannot guarantee an exact colour match and shadings of certain finishes.	

R. Hamilton & Co Ltd. Unit G Quarry Industrial Estate MERE, Wiltshire UK BA12 6LA
 Tel: +44 (0)1747 860088 Fax: +44 (0)1747 861032 Email: info@hamilton-litestat.com Web: www.hamilton-litestat.com