



SIRCO

Load break switches for power distribution
from 125 to 5000 A

Load break
switches

sirco-ac_001_a_1_cat



SIRCO AC 3 x 250 A
direct handle

sirco_456_a_1_cat



SIRCO 3 x 250 A
direct operation

The solution for

- > Main switchboard
- > Distribution panel
- > Emergency breaking
- > Network coupling
- > Local safety breaking



Strong points

- > Reliability and performance
- > Safety of property and personnel
- > Simplicity
- > Easy to install

Compliance with standards

- > IEC 60947-3



Enclosures

- > The SIRCO and SIRCO AC range can be easily fitted in our enclosures and cabinets designed for electrical distribution.



Function

SIRCO and **SIRCO AC** are manually or remotely operated multipolar load break switches. They make and break under load conditions and provide safe isolation. SIRCO are designed for 415 VAC and DC low voltage electrical circuits. SIRCO AC are designed for heavy duty applications up to 690 VAC - AC 23.

General characteristics

- Double positive break indication given through a position indication window, located directly on the product, and by the operating handle.
- Severe load duty categories (AC-22 and AC-23).
- High resistance to damp heat (supplied "tropicalised").

Advantages

Reliability and performance

The double breaking per pole, achieved through its sliding bar contact system, is a proven design that offers very high durability and short-circuit withstand. Improved breaking performance with quick opening and rapid closure.

Safety of property and personnel

The position indicator is located directly on the sliding bar contact mechanism, ensuring it can be seen in all circumstances.

The use of glass fibre reinforced polyester gives the SIRCO and SIRCO AC both high mechanical and thermal resistance.

Simplicity

The standardisation of the SIRCO and SIRCO AC range and its wide choice of common accessories enable:

- Simple mounting.
- Reduced stock management and storage costs.

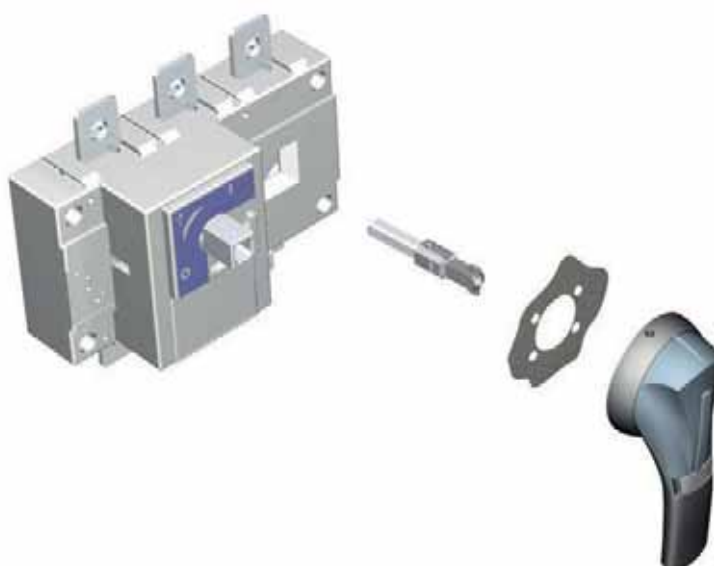
Easy to install

The outdoors ranges are easy to install thanks to:

- A good centre-to-centre distance (up to 120 mm).
- Connection up to 6 x 185 mm².
- Connection accessories which facilitate both flat and edgewise connections.

What you need to know

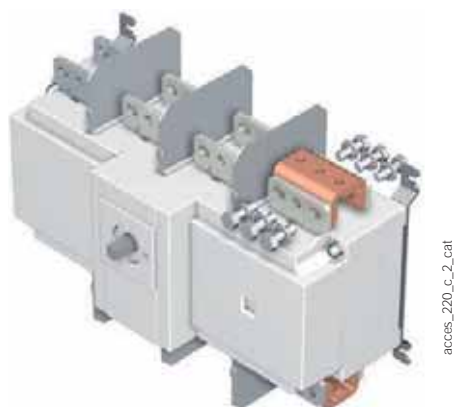
- In front **direct** or **external** operation, SIRCO is available in 3 and 4-pole versions from 125 to 5000 A.
- It can be ordered in 6 or 8-pole versions from 125 to 1600 A.
- SIRCO is available in a polyester or sheet metal enclosure from 125 to 1250 A.



sirco_372_b_1_cat

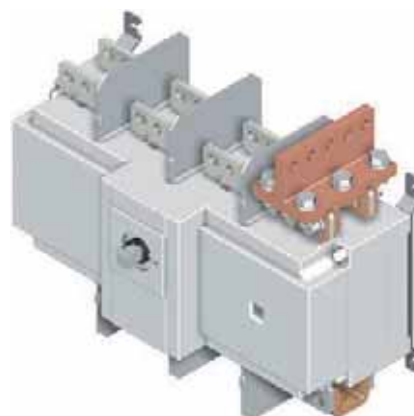
For ratings 2000, 2500 and 3200A, a copper **bar connection kit** enables the connection between the two power terminals of one pole.

Flat connection
top or bottom



access_220_c_2_cat

Edgewise connection
top or bottom



access_223_b_2_cat

SIRCO

Load break switches for power distribution
from 125 to 5000 A

SIRCO - References

Standard applications - Front operation - 6 & 8-pole

Rating (A) / Frame size	No. of poles	Switch body	Direct handle	External handle	Shaft for external handle	Auxiliary contact	Terminal shrouds	Terminal screens						
125 A / B3 _{DS}	6 P	2601 6013	Type B3 Black 4199 5012 ⁽¹⁾	S2 type Black IP55 1421 2111 ⁽¹⁾ Red IP65 1424 2111	200 mm 1400 1020 320 mm 1400 1032 ⁽¹⁾		6 P 2694 3014 ⁽²⁾⁽³⁾ 8 P 2694 4014 ⁽²⁾⁽³⁾	6 P 1509 3012 ⁽⁴⁾ 8 P 1509 4012 ⁽⁴⁾						
	8 P	2601 8013												
160 A / B3 _{DS}	6 P	2601 6016												
	8 P	2601 8016												
250 A / B4 _{DS}	6 P	2601 6025							Type C1 Black 2799 7052 ⁽¹⁾ Red 2799 7053	Type S4 Black IP65 1443 3111 ⁽¹⁾ Red IP65 1444 3111	200 mm 1401 1520 320 mm 1401 1532 ⁽¹⁾	1 st NO/NC contact 2699 0061 2 nd NO/NC contact 2699 0062	6 P 2694 3021 ⁽²⁾⁽³⁾ 8 P 2694 4021 ⁽²⁾⁽³⁾	6 P 1509 3025 ⁽⁴⁾ 8 P 1509 4025 ⁽⁴⁾
	8 P	2601 8025												
400 A / B5 _{DS}	6 P	2601 6040												
	8 P	2601 8040												
630 A / B5 _{DS}	6 P	2601 6063												
	8 P	2601 8063												
800 A / B6 _{DS}	6 P	2601 6080	C2 type Black 2799 7012 ⁽¹⁾ Red 2799 7013	Type V1 Black IP65 2799 7145 ⁽¹⁾	320 mm 2799 3018 ⁽¹⁾			6 P 1509 3080 ⁽⁴⁾ 8 P 1509 4080 ⁽⁴⁾						
	8 P	2601 8080												
1000 A / B6 _{DS}	6 P	2601 6100												
	8 P	2601 8100												
1250 A / B7 _{DS}	6 P	2601 6120												
	8 P	2601 8120												
1600 A / B7 _{DS}	6 P	2601 6160												6 P 1509 3160 ⁽⁴⁾ 8 P 1509 4160 ⁽⁴⁾
	8 P	2601 8160												

(1) Standard.

(2) Top or bottom on the front or rear of the device.

(3) Select 2 sets for front or rear.

(4) Top or bottom at the front of the device.