

VARILIGHT® Dimmable 40W AC/DC Transformer (Converter) 230V a.c. to 11.5 V d.c. (for 12V d.c. LED Strip)

**Part Numbers:
YT40DC12**

Reg: YTDC002

Instructions for Use

Application:

Dimmable power supply suitable for 12V d.c. LED strip (or 12V d.c. LED lamps).

Recommended Load:

Rating of the VARILIGHT Transformer	Maximum load per AC/DC Transformer when powering LED Strips	Maximum load per AC/DC Transformer when powering LED Lamps
40W/VA	40 W	30 W

LED Strip Installation:

It is possible to power several lengths from one AC/DC transformer as long as the total load is less than the maximum rating by connecting the LED strips in parallel (see Fig. 1 and Fig. 2 below for possible configurations).

Dimming LED Strips

Choose VARILIGHT® V-Pro dimmers to dim LED strip lighting. Refer to the maximum load information for low voltage transformers provided with the dimmer to determine the maximum permitted load (measured by the total wattage of transformers to be connected) and, in any case, do not exceed 250W per dimmer circuit.

Installation Advice

- **IMPORTANT:** Always turn off the electricity supply at the mains before beginning any electrical work.
- VARILIGHT AC/DC transformers are suitable for indoor use only.
- Install in a well-ventilated location, away from heat sources (the maximum operating temperature is 40°C).
- Do not connect the output cables of one transformer to those of another.
- Observe the correct DC polarity when connecting the LED load.
- To achieve even light levels use identical lengths of LED strip on the output side of the AC/DC transformer(s).
- The light switch or dimmer switch should be located on the primary (input) side of the transformer.
- If you require a longer cable than supplied then use a proprietary terminal block to connect a suitable additional cable (min 2 x1.0mm², ensuring no bare wires protrude from the terminals and keeping the length of additional wiring to a minimum).

Typical LED Strip Installation:

FIGURE 1

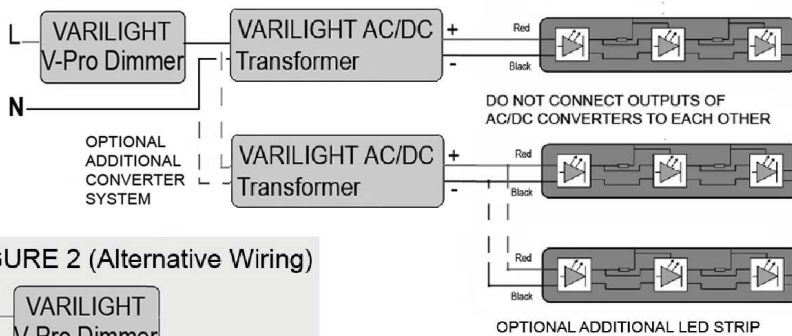
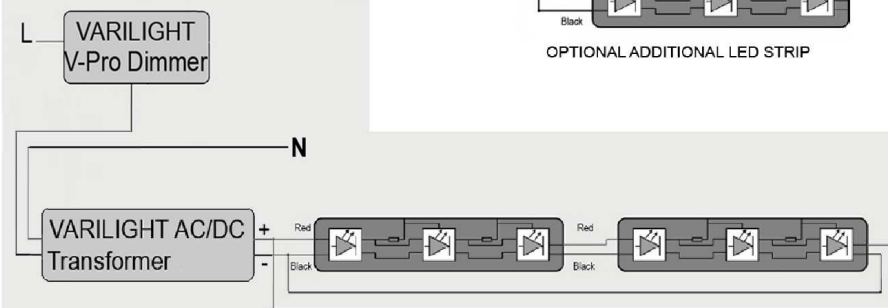


FIGURE 2 (Alternative Wiring)



GUARANTEE

In case of any defect return the transformer to our service department. This warranty is in addition to and not in derogation of the statutory rights of the purchaser and is offered so that you may have the benefit of our technical facilities. Should a defect occur in this unit within 10 years of its purchase we will replace or repair the defective unit free of charge provided that:-

- The unit has been correctly fitted according to the instructions;
- The transformer has not been tampered with or taken apart;
- The unit is securely packed and safely returned to:- Service Department, Carylls Lea, Faygate, Horsham, West Sussex, RH12 4SJ together with a letter stating the guarantee registration number below, the date and place of purchase, details of the fault, the type and wattage of the light(s) or strip being controlled and what kind of switch or dimmer was used. This guarantee states Varilight's entire liability, which does not extend to cover consequential loss or damage or installation costs arising from a defective product.

www.varilight.co.uk

GUARANTEE REGISTRATION NUMBER: YTDC002

© DOYLE & TRATT PRODUCTS LTD 2018

