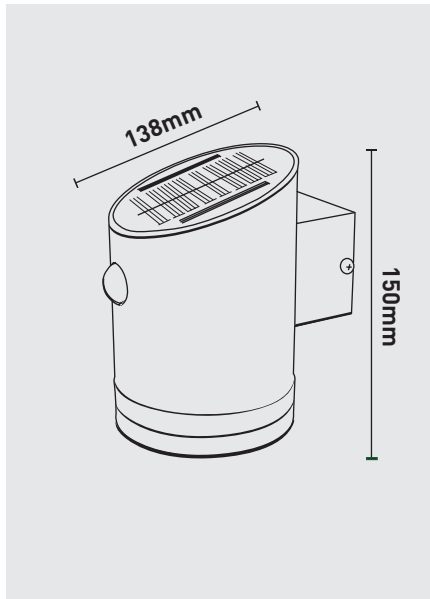


STAINLESS STEEL SOLAR WALL LIGHT


DECORATIVE EXTERIOR

- Monocrystalline 5V 150mA Solar Panel
- 4x0.5W 2835 SMD LED 4000k
- 3x1.2V AAA 900mAh Ni-Mh rechargeable lithium battery
- Motion detector
- 100 degrees detecting angle, upto 8m detecting distance
- 100 lumens during detection




CAT NO.	DESCRIPTION
LEXDSL1S40P	Solar PIR Wall Light 100Lm 2W

LUCECO

 Esta luminaria es compatible con bombillas de las clases energéticas:

A++
A+
A
B
C
D
E

874/2012 

STANDARDS

EN 60598-1	Luminaires - General requirements
EN 60598-2-2	Luminaires - Recessed
EN 60598-2-22	Luminaires - Emergency
EN 61347-1	Lamp controlgear - Part 1: General and safety requirements
EN 61347-2-13	Lamp controlgear - Part 2-13 : Particular requirements for d.c. or a.c. supplied electronic controlgear for LED modules
EN 55015	Limits and methods of measurement of radio disturbance characteristics of electrical lighting and similar equipment
EN 61547	Equipment for general lighting purposes - EMC immunity requirements
EN 61000-3-2	Electromagnetic compatibility (EMC) - Part 3-2: Limits - for harmonic current emissions
EN 62471	Photobiological safety of lamps and lamp systems
2002/96/EC	Waste Electrical & Electronic Equipment (WEEE)
2011/65/EU	Restriction of the use of certain Hazardous Substances in EEE (RoHS)
[EC] No 1907/2006	The Registration, Evaluation, Authorisation and Restriction of Chemicals (REACH)





