

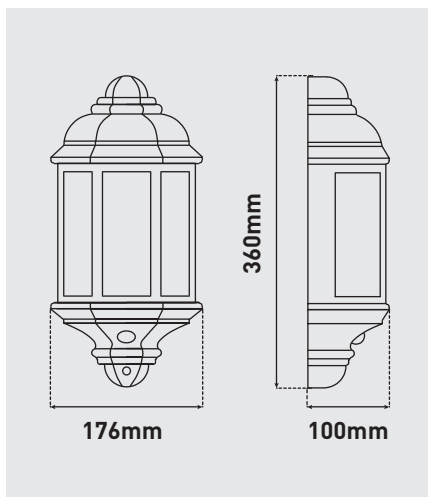
# E27 COACH LANTERN

## DECORATIVE EXTERIOR

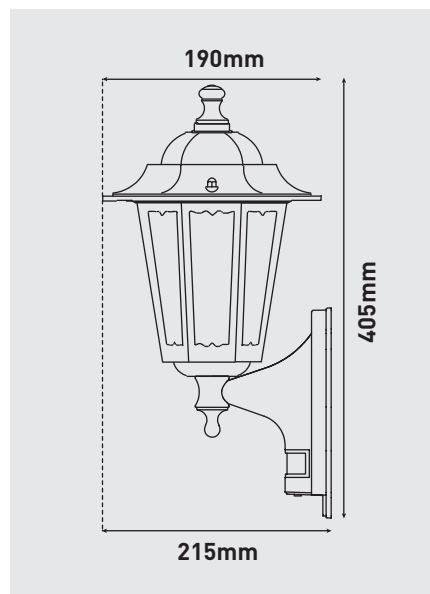
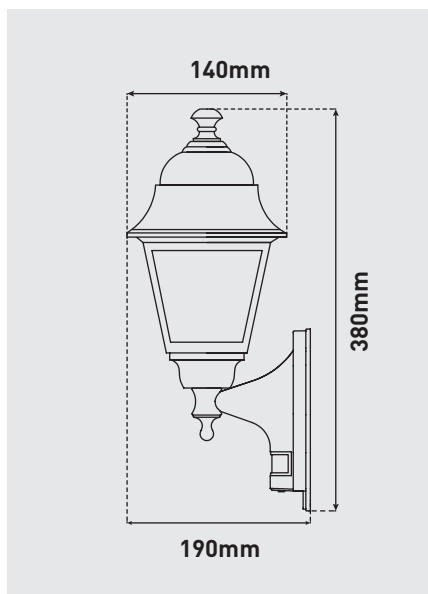
- E27 lampholder
- Die-cast aluminium housing
- Available in both full and half size variations
- Adjustable PIR motion and day & night sensor
- Suitable for residential and commercial outdoor spaces including: entrances, driveways, patios & walkways




 E27	<b>MAX 60W</b>	<b>BLACK FINISH</b>	<b>IP44 RATED</b>
--	--------------------	-------------------------	-----------------------





CAT NO.	DESCRIPTION
LEXDCL3PB	3 glass panel half coach lantern
LEXDCL4PB	4 glass panel coach lantern
LEXDCL6PB	6 glass panel coach lantern




**LUCECO**


 Esta luminaria es compatible con bombillas de las clases energéticas:





874/2012 

**STANDARDS**

EN 60598-1	Luminaires - General requirements
EN 60598-2-2	Luminaires - Recessed
EN 60598-2-22	Luminaires - Emergency
EN 61347-1	Lamp controlgear - Part 1: General and safety requirements
EN 61347-2-13	Lamp controlgear - Part 2-13 : Particular requirements for d.c. or a.c. supplied electronic controlgear for LED modules
EN 55015	Limits and methods of measurement of radio disturbance characteristics of electrical lighting and similar equipment
EN 61547	Equipment for general lighting purposes - EMC immunity requirements
EN 61000-3-2	Electromagnetic compatibility (EMC) - Part 3-2: Limits - for harmonic current emissions
EN 62471	Photobiological safety of lamps and lamp systems
2002/96/EC	Waste Electrical & Electronic Equipment (WEEE)
2011/65/EU	Restriction of the use of certain Hazardous Substances in EEE (RoHS)
(EC) No 1907/2006	The Registration, Evaluation, Authorisation and Restriction of Chemicals (REACH)





