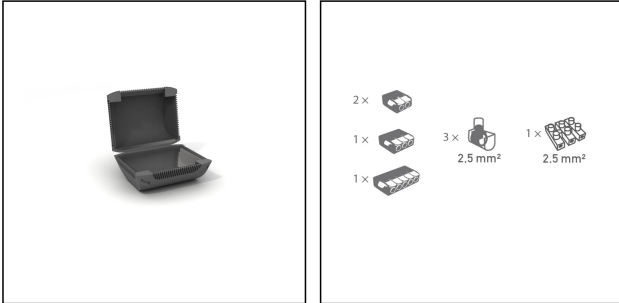


## MiniBox 2



Products may differ in size, colour and appearance to those shown. If you require further information or customisation, please contact us directly.

<b>Temp. range min</b>	-20 °C
<b>Temp. range max</b>	90 °C
<b>Glow wire test</b>	self-extinguishing
<b>External dimensions LxWxH</b>	42,6x32,8x22
<b>Order no. UK</b>	MBX02
<b>Type</b>	MiniBox 2
<b>Packing unit</b>	1

Remarks:



- terminals / connectors NOT include

13.10.2020

Your Contact:

**WISKA UK Ltd.**

Unit 7, Hurling Way · St. Columb Major Business Park · TR9 6SX, St. Columb Major, Cornwall · Great Britain

 +44-12-08816062 ·  +44-12-08816708



info@wiska.co.uk · www.wiska.co.uk



Your Contact:

**WISKA UK Ltd.**

Unit 7, Hurling Way · St. Columb Major Business Park · TR9 6SX, St. Columb Major, Cornwall · Great Britain

 +44-12-08816062 ·  +44-12-08816708

info@wiska.co.uk · www.wiska.co.uk