



Technical Data

Mains Isolator Switch

Brief product description:

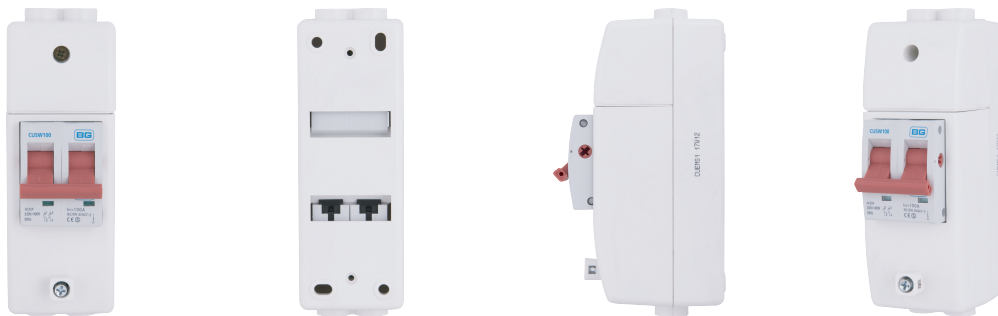
This 100A rated 2 pole mains isolator switch offers a point of isolation between the DNO (distribution network operator) meter and the Consumer unit, so that the main fuse does not need to be removed and the incoming supply to the property can be isolated safely.

Having a 2 part cover, the bottom incoming terminals can be lead sealed off to stop unauthorised access once installed. A 100A rated 2 pole isolating switch capable of taking 25mm incoming tails.

Features:

- Positive contact indicator
- Two part cover
- Safety screw with hole
- Switch can be locked in the ON or OFF position using a device lock (CUA10)
- Two cable entry and exit points at top and bottom of enclosure
- 4 fixing points

Product Images



CUEMS1-01

Technical Specifications

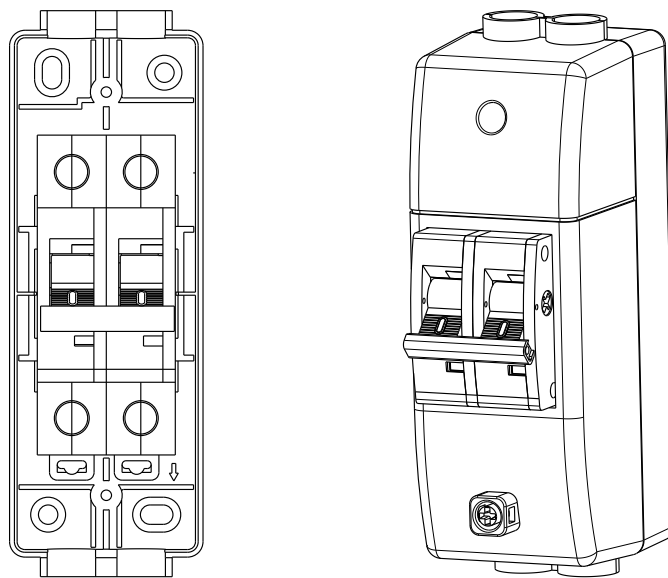
Standard(s)	EN/IEC 60947-3
Rating	100 Amp
Rated Voltage	230V a.c. 50Hz
Utilisation Type	Type AC-22A
Rated short circuit withstand current I_{cw}	12I _e , t=0.1s
Rated short circuit making capacity 1cm	20I _e , t=0.1s
Rated making and breaking capacity	3I _e , 1.05U _e , COS ϕ =0.65
Insulation Voltage U _i	690V
Rated impulse withstand voltage U _{imp}	4000V
N ^o of poles	2
IP rating	IP20
Terminal capacity	35mm ²
Terminal torque	3.5NM
Installation	Mounting on 35mm DIN rail
Size	35mm width
Endurance operations	Mechanical 10,000, Electrical 1,500



Mains Isolator Switch

Features	Benefits
Positive contact indicator	Green visible window indicates a 4mm contact gap
Two part cover	Bottom incoming terminals inaccessible once installed without removal of safety seal
Safety screw hole	Allowing the insertion of a safety lead seal
Switch can be locked in the ON or OFF position using a device lock (CUA10)	Allowing for safe isolation of device
Two cable entry and exit points at top and bottom of enclosure	Allowing for easy cable management and undue stress to the cables and connections
4 fixing points	For positive installation to the mounting surface

Line Diagrams



CUEMS1-01

Packaging Information

Cat No.	Description	Packaging Type			Pack Quantity			Barcode		
		Product	Inner Box	Outer Box	Each	Inner Box	Outer Box	Individual	Inner Box	Outer Box
CUEMS1-01	-	-	carton	-	1	20	-	-	-	-

Weights & Dimensions

Cat No.	Description	Dimensions (L x W x D) cm				Weight (kg)				CBM (m ³)
		Unpacked Product	Packed Product	Inner Box	Outer Box	Each	Packed Product	Inner Box	Outer Box	Outer Box
CUEMS1-01	-	14.6 x 5 x 8	-	35 x 27 x 18.5	-	-	-	5	5.96	-