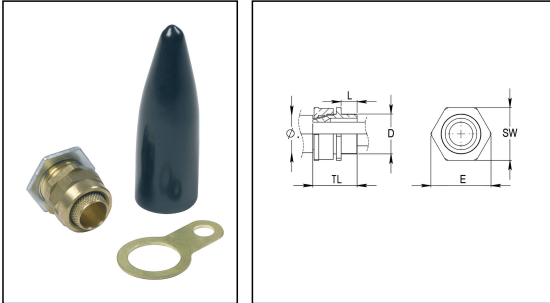


BWP 50S Pack

Cable gland pack british standard BS 6121



Products may differ in size, colour and appearance to those shown. If you require further information or customisation, please contact us directly.

Material	Brass
Material shrouds	LSF PVC
Temp. range min	-80 °C
Temp. range max	300 °C
Protection class	IP20
Thread type	M
Ø Connection thread D	50
Lead	1,5
Length screw-in thread L	15 mm
Ø cable diameter max	46,3 mm
Ø cable below cable shield	-38 mm
Key width SW	59 mm
Collar diameter (E)	66 mm
Total length TL	39,5 mm
Surface	Bright
Order no. bright	50101706
Type	BWP 50S Pack
Packing unit	1

13.10.2020

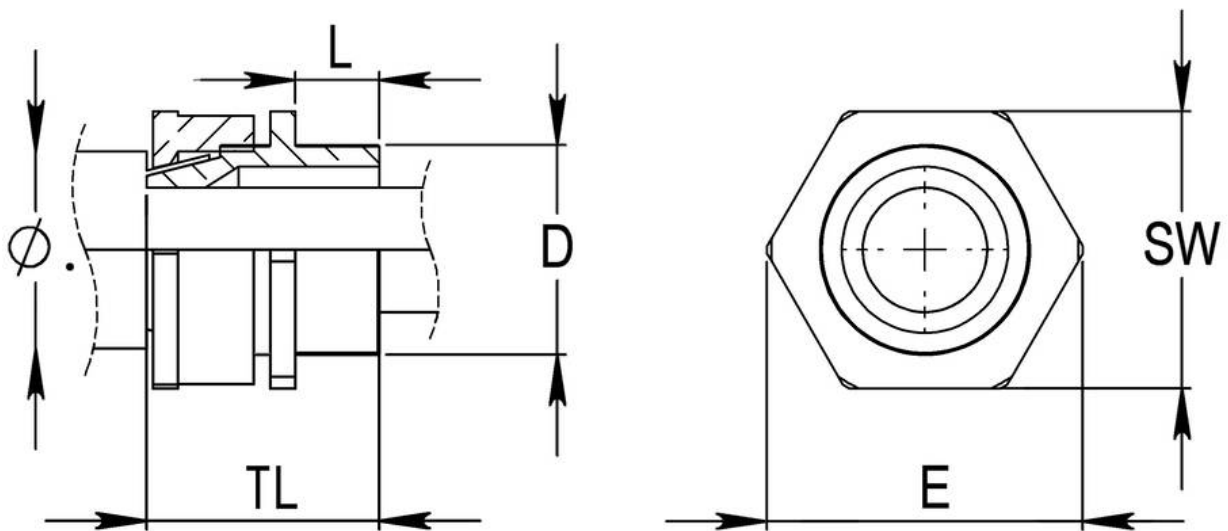
Your Contact:

WISKA UK Ltd.

Unit 7, Hurling Way · St. Columb Major Business Park · TR9 6SX, St. Columb Major, Cornwall · Great Britain

☎ +44-12-08816062 · 📠 +44-12-08816708

info@wiska.co.uk · www.wiska.co.uk



Your Contact:

WISKA UK Ltd.

Unit 7, Hurling Way · St. Columb Major Business Park · TR9 6SX, St. Columb Major, Cornwall · Great Britain

☎ +44-12-08816062 · 📠 +44-12-08816708

info@wiska.co.uk · www.wiska.co.uk