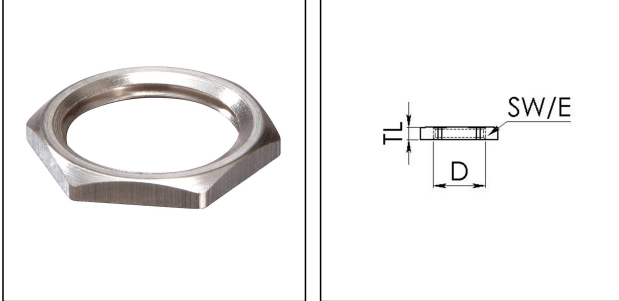


EMMU 50

Locknut, brass



Products may differ in size, colour and appearance to those shown. If you require further information or customisation, please contact us directly.



| | |
|--------------------------------|---------------------|
| Material | Brass nickel-plated |
| Surface | Nickel-plated |
| Temp. range min | -200 °C |
| Temp. range max | 250 °C |
| Thread type | M |
| Ø Connection thread D | 50 |
| Lead | 1,5 |
| Key width SW | 60 mm |
| Collar diameter (E) | 65 mm |
| Total length TL | 5 mm |
| Order no. nickel-plated | 10063147 |
| Type | EMMU 50 |
| Packing unit | 50 |
| ETIM-Classification | EC000940 |

13.10.2020

Your Contact:

WISKA UK Ltd.

Unit 7, Hurling Way · St. Columb Major Business Park · TR9 6SX, St. Columb Major, Cornwall · Great Britain

☎ +44-12-08816062 · 📠 +44-12-08816708

info@wiska.co.uk · www.wiska.co.uk



Your Contact:

WISKA UK Ltd.

Unit 7, Hurling Way · St. Columb Major Business Park · TR9 6SX, St. Columb Major, Cornwall · Great Britain

☎ +44-12-08816062 · 📠 +44-12-08816708

info@wiska.co.uk · www.wiska.co.uk