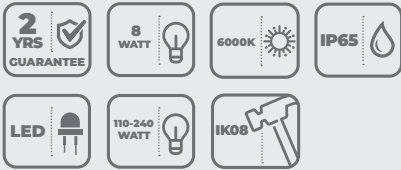




LF12

DUAL VOLTAGE SITE BULKHEADS



Ideal for use on construction site hoardings and scaffolding, or simply for walkway lighting, the LF12 range features a choice of white light, amber or red diffusers. Fitted with 110/240V supply drivers as standard.

Features

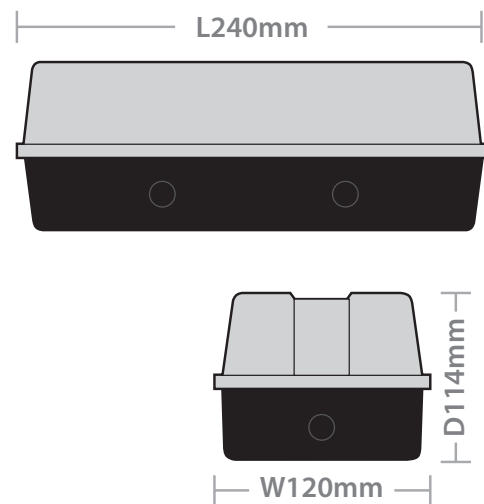
- Dual supply voltage 110/240V for versatility
- Tough construction, ideal for site applications
- Choice of clear, opal, amber or red diffusers



Specification

Material:	Polycarbonate
Colour Temperature:	6000K (N/A to Red & Amber)
Colour Finish:	Black
CRI:	Ra>70 (LF12LEDBC)
LED Lifetime:	L70B50 50,000 Hrs
IP Rating:	IP65
IK Rating:	IK08
Working Temperature:	-10°C to 50°C
Electrical Class:	Class II
Guarantee:	2 Years

Dimensions



Product Code	Description	Wattage	Lumen Output	Efficacy	Net Weight	Barcodes
LF12LEDBC	LF12 Bulkhead Clear Diffuser	8W	720 lm	90 lm/W	0.6	5055807615518
LF12LEDBO	LF12 Bulkhead Opal Diffuser	8W	550 lm	69 lm/W	0.55	5055807617161
LF12LEDBA	LF12 Bulkhead Amber Diffuser	8W	175 lm	N/A	0.6	5055807620758
LF12LEDBR	LF12 Bulkhead Red Diffuser	8W	175 lm	N/A	0.6	5055807615501



LF12LEDBC



LF12LEDBR



LF12LEDBA

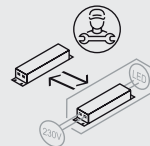
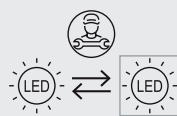
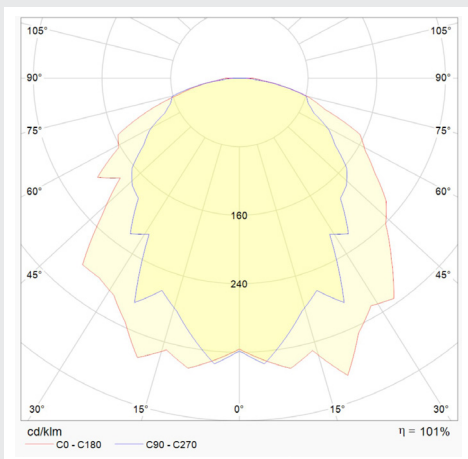


LF12LEDBO

Maximum Fittings Per Circuit

Automatic Circuit Breaker Type:	B10	B13	B16	B20	C10	C13	C16	C20
Rated Current:	10A	13A	16A	20A	10A	13A	16A	20A
Cable (mm):	1.5	1.5	1.5	2.5	1.5	1.5	1.5	2.5
8W LED Bulkheads:	60	80	110	120	160	100	140	200

Light Distribution Curve



www.redarrowelectrical.co.uk