

Drive350 9-18W Dimmable 350mA Constant Current LED Driver

NEW

ADRCC350TD/9-18

**350
mA**

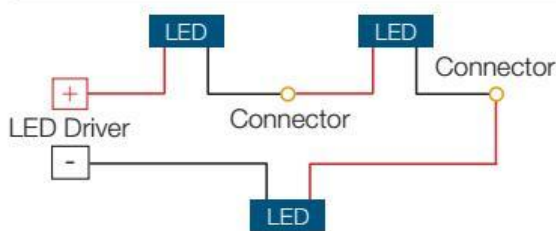


- Excellent Dimming Compatibility
- Smooth Dimming Performance
- Flicker Free Dimming
- Compact Size
- Easy Wire Large Terminals
- Max. DC Loom Length 20m (1mm² Cable)
- 9...18 PCS x 1W LED (350mA)
- Loop-In Loop-Out Terminals

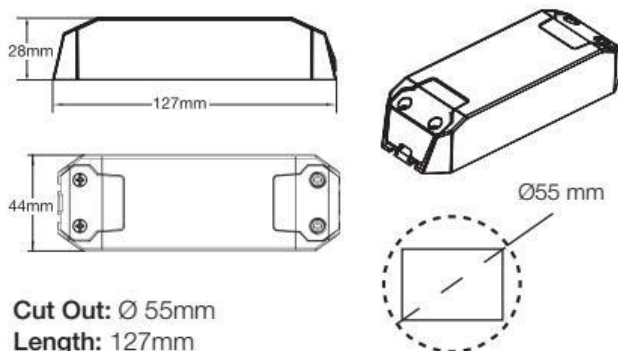
DRIVE350 9-18W DIMMABLE LED DRIVER

Code	Output Current	Output Voltage
ADRCC350TD/9-18	350 mA	220-240V AC

Series Wiring Diagram



Dimensions



Cut Out: Ø 55mm
Length: 127mm
Width: 44mm
Height: 28mm

COMPATIBILITY CHART

Product	Code	Operating Load
	AMKR012	9...18 PCS
	AMKR020	9...18 PCS
	APF032AL	9...18 PCS
	ALSQ032	9...18 PCS
	ALRD032	9...18 PCS
	AMKR032	9...18 PCS
	AMKR044	3...6 PCS
	AGL032AL (VSS)	9...18 PCS
	AGL045AL (VSS)	3...6 PCS
	AGL060AL (VSS)	2 PCS