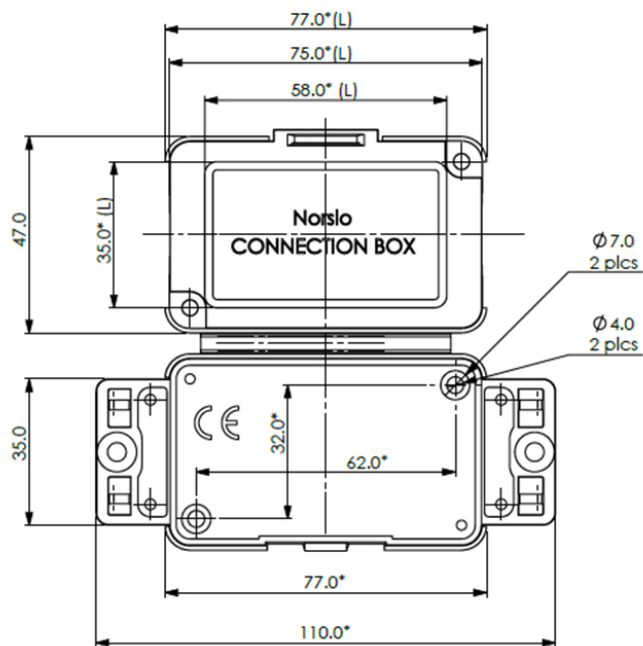


CONNECTION BOX - CHOCBOX+

NORSLO

- + For protection of electrical connections
- + External easy to use cable clamps
- + Various fastening options
- + Simple one piece snap cover with screw fixings
- + Optional screw or cable tie box fixing
- + Will pass through a 50mm diameter hole
- + Fully assembled



Complete with 4 Connection 20A Quick Connector Block

'Maintenance Free & Tamperproof'



**CHOCBOX +
Registered Design**

CHOC30APLS



Complete with 20A Quick release connector block

CHOC30APLS

	CHOC30APLS
Barcode	5012739647574
Rated Voltage	250V
Terminal Block Size	20 Amp
Temperature Range	-5 to 60°C
Max Conductor Size	2.5mm ²
Box Qty	50
Product Weight	41g
Product Finish	Natural Polypropylene
Guarantee	1 Year
Conforms To	BS EN60670-22