

# Drive350 4-9W Dimmable 350mA Constant Current LED Driver

**NEW**

ADRCC350TD/4-9

**350  
mA**

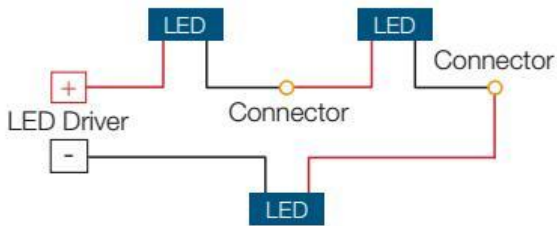


- Excellent Dimming Compatibility
- Smooth Dimming Performance
- Flicker Free Dimming
- Compact Size
- Easy Wire Large Terminals
- Max. DC Loom Length 20m (1mm<sup>2</sup> Cable)
- 4...9 PCS x 1W LED (350mA)
- Loop-In Loop-Out Terminals

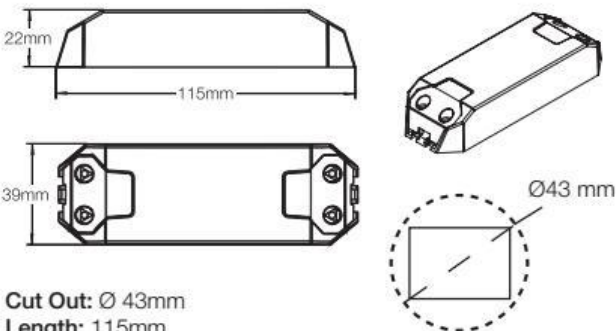
## DRIVE350 4-9W DIMMABLE LED DRIVER

Code	Output Current	Output Voltage
ADRCC350TD/4-9	350 mA	220-240V AC

## Series Wiring Diagram



## Dimensions



**Cut Out:** Ø 43mm  
**Length:** 115mm  
**Width:** 39mm  
**Height:** 22mm

## COMPATIBILITY CHART

Product	Code	Operating Load
	AMKR012	4...9 PCS
	AMKR020	4...9 PCS
	APF032AL	4...9 PCS
	ALSQ032	4...9 PCS
	ALRD032	4...9 PCS
	AMKR032	4...9 PCS
	AMKR044	1...3 PCS
	AGL032AL (/SS)	4...9 PCS
	AGL045AL (/SS)	1...3 PCS
	AGL060AL (/SS)	1 PCS