

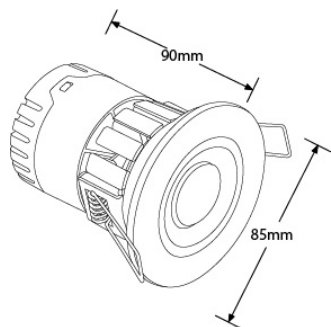


Product Description: E8™ Colour Switchable Fixed 8W Dimmable Fire Rated LED Downlight

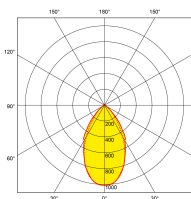
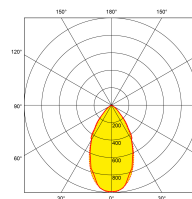
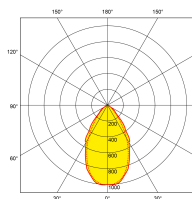
The E8™ colour switchable downlight is an addition to our well established E8™ range. Featuring the sparkling low glare multifaceted EnFiniti™ lens and delivering up to 620lm. Not sure what colour temperature you want at time of purchase? No problem! The E8™ colour switchable is one light offering 3 whites at the flick of a switch located on the back of the fitting. Simply switch from warm white, cool white & daylight before installation.

SKU Code	Wattage	Lumens	Lumens/Watt	Beam Angle	SKU Type
EN-DE8CX	8	620	78	60	Triac Dimmable

Line Drawing



Polar Curve



Colour

Product Features:

- The colour switchable E8™ means you only need to specify or stock one fitting rather than three. Can be switched from 3000K, 4000K and 6500K (prior to installation)
- Allows you to change the colour of your lighting at a later date to suit the interior design
- EnFiniti™ edge-to-edge multifaceted polycarbonate lens for low glare and halogen like appearance
- Fibre based insulation coverable - up to 300mm
- Super slim interchangeable IP65 bezels provide a high end sleek finish (Bezel sold separately)
- Tested in 30, 60 and 90-minute fire rated ceilings
- 3 year warranty

Product Specs:

Input Voltage	220~240V AC	Input Frequency	50/60HZ
Power Factor	0.85	IP Rating	IP65
Lifetime L70 (hrs)	25000	Lamp Base	None
Overall Diameter (mm)	85	Weight (Kg)	0.247
Height (mm)	90	Product Type	Downlights, Fire-Rated Downlight
Cutout Diameter (mm)	70-70	Operating Temp. (Min) °C	-20°C
Operating Temp. (Max) °C	45°C		

Compliance & Approvals:



Warranty:

This product has a warranty period of 3 Years. Warranties may be available on certain products as indicated in the product description. Warranties are valid from the date of purchase. The warranty is invalid in the case of improper use, installation, tampering, removal of the Q.C. date label or installation in an improper working environment or installation. Should this product fail during the warranty period it will be replaced free of charge, subject to the correct installation of the original product and subsequent return of the faulty unit. Aurora does not accept responsibility for any installation costs associated with the replacement of this product and Aurora reserves the right to alter specifications without prior notice.