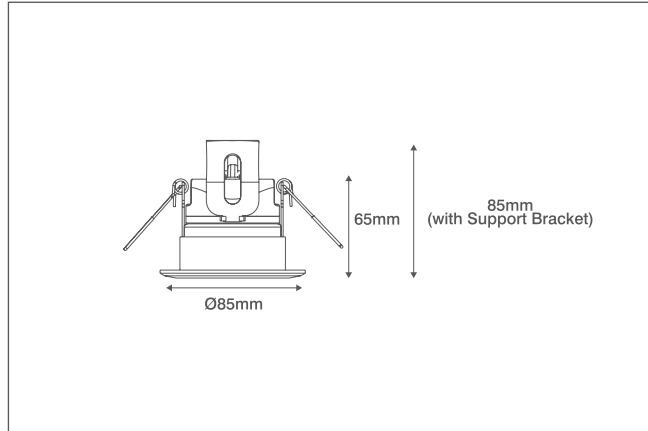


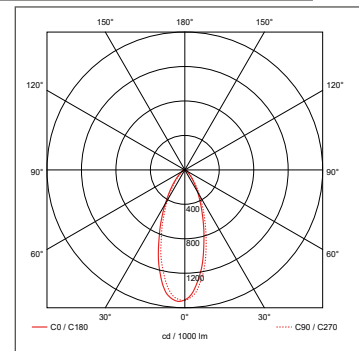
Product Code: OV4600SC7D

Description: 7W LED Fixed Dimmable Downlight With CTA Switch - IP65 - Satin Chrome

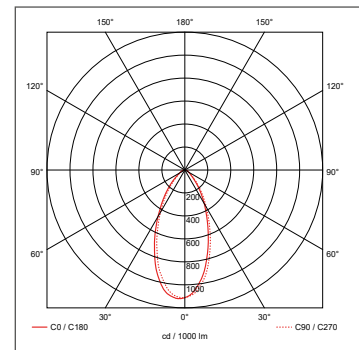


General Information

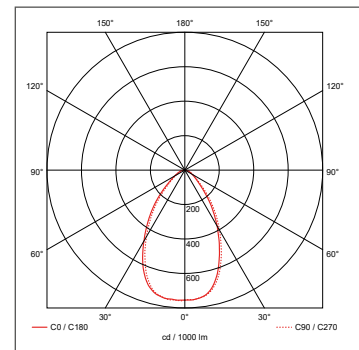
Dimensions	85mm Diameter x 65mm (D)
Materials	Bezel: Aluminium (Plated or Powdercoated) Rear Frame: Steel Rear Housing: ABS Lens: Polycarbonate
Finish	Satin Chrome
Product Weight	0.375Kg
Cutout	65-70mm Diameter
Dimmable	Yes
Ingress Protection	IP65
Warranty	5 Years (Registered)



2700K



4200K



6500K

Supply & Power

Input Voltage & Frequency	220-240V ~ 50Hz
Electrical Safety	Class II (Double Insulated)
Input Power	7W
Input Current	40mA
Power Factor	0.9
Ambient Temperature (Ta)	-15°C - +40°C
Critical Temperature	+80°C
LED Driver	Integrated
Pre-wired Flow Connector	Yes (3 Pole CT100-F Screw Terminals)

Luminaire Output

Colour Temperature	2700K	4200K	6500K
Typical Luminous Flux	500lm	580lm	550lm
Efficacy	71lm/W	83lm/W	79lm/W
Effective	61lm/W	69lm/W	64lm/W
CRI	>80		
Beam Angle	40°		
Adjustable Bezel Angle	15° (OVZ4605SC)		
LED Lifetime (L70)	25,000 Hours		

Accessories

OVZ4605SC	Adjustable Satin Chrome Bezel For Inceptor® Omni
OVEMCG2305M3	3 Hour Universal Emergency Pack With Pre-wired Flow Connectors
OVSP3120SC	130mm Diameter Converter Plate - Satin Chrome

Product Approvals

Fire Rating	30, 60 & 90 minutes
Acoustic Rating	0dB (zero impact on sound insulation)
Air Flow	BS 5250: 2011 compliant

