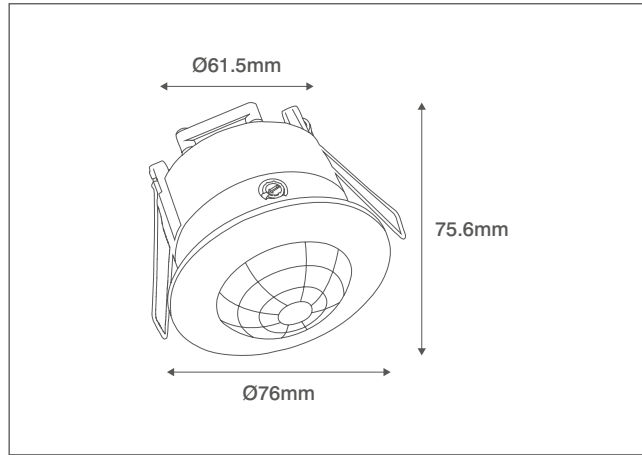


Product Code: OVPIR008WH

Description: Recessed 360° Low Profile Flush PIR - White



### General Information

Dimensions	76mm Diameter x 75.6mm (D)
Materials	Body: Polycarbonate (UV Stabilised)
Finish	White
Typical Mounting	Horizontal / Ceiling
Cutout	65mm Diameter
Working Humidity	<93%RH
Ingress Protection	IP20
Warranty	5 Years

### Supply & Power

Input Voltage & Frequency	220-240V~ 50/60Hz
Terminations	Input: Permanent Live & Neutral Output: Switched Live (All Screw Terminals)
Electrical Safety	Class II (Double Insulated)
Load Rating	300W - LED & Compact Fluorescent 1200W - Incandescent & Halogen
Zero Cross Technology	Yes
Power Consumption	0.5W Approx.
Ambient Temperature (Ta)	-20°C - +40°C

### Sensor Parameters & Settings

Installation Height	2.2 Metres to 4 Metres	
Detection Distance	6 Metres Max. (<24°C)	
Detection Angle	360°	
Detection Motion Speed	0.6-1.5m/s	
Manual Adjustments	Time Delay	10 Seconds (Min. +3 Seconds) to 15 Minutes (Max. + 2 Minutes)
	Lux Level	3 Lux (Minimum) to 2000 Lux (Maximum)

### Detection Area Schematics

