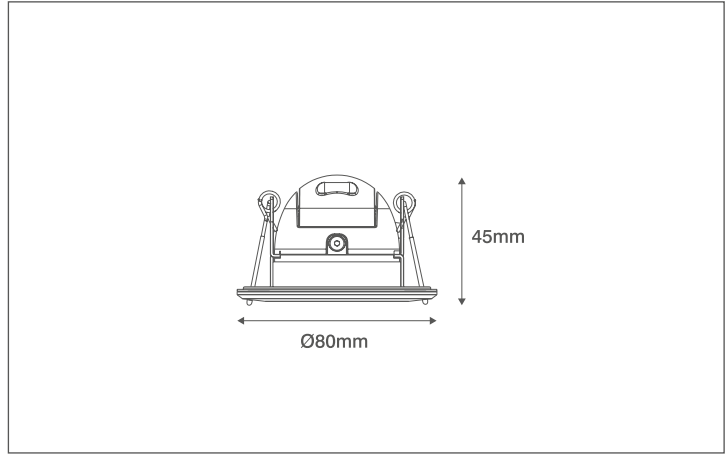
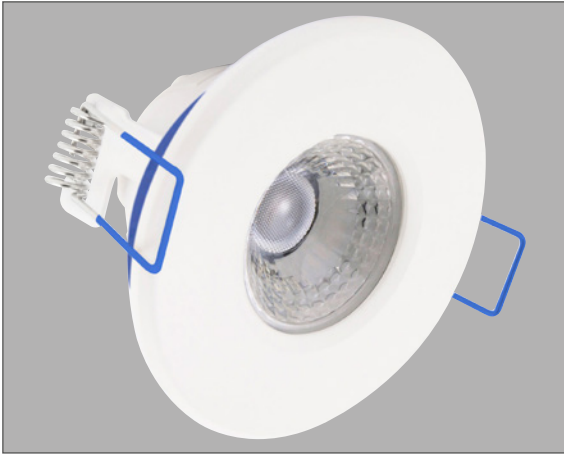


INCEPTOR® NANO 5

Technical Specification

Product Code: OV5400WH5WD

Description: 4.8W LED Fixed Dimmable Downlight - IP65 - 2700K - White



General Information

Dimensions	80mm Diameter x 45mm (D)
Materials	Bezel: Aluminium (Plated or Powdercoated)
	Rear Frame: Steel
	Rear Housing: ABS
	Lens: Polycarbonate
Finish	White
Product Weight	0.24Kg
Cutout	60mm Diameter
Dimmable	Yes
Ingress Protection	IP65
Warranty	3 Years

Supply & Power

Input Voltage & Frequency	220-240V ~ 50Hz
Electrical Safety	Class I
Input Power	4.8W
Input Current	30mA
Inrush Current	1.5A
Power Factor	0.8
Ambient Temperature (Ta)	-15°C - +40°C
Critical Temperature	+80°C
LED Driver	Integrated
Pre-wired Flow Connector	Yes (3 Pole CT100-F Screw Terminals)

Accessories

OVISC1020	Insulation Support Bracket
OVEMCG2305M3	3 Hour Universal Emergency Pack With Pre-wired Flow Connectors
OVSP4120WH	130mm Diameter Converter Plate - White

Luminaire Output

Colour Temperature	2700K
CRI	>80
Typical Luminous Flux	400lm
Efficacy	71lm/W
Beam Angle	40°
LED Lifetime (L70)	25,000 Hours

Product Approvals

Fire Rating	30, 60 & 90 minutes
Acoustic Rating	0dB (zero impact on sound insulation)
Air Flow	BS 5250: 2011 compliant

