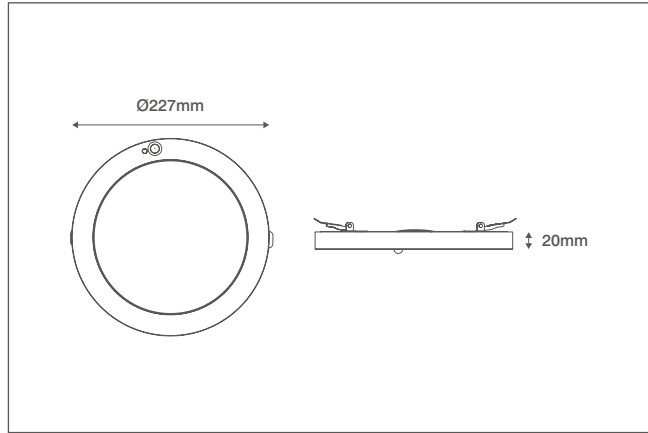


## Technical Specification

Product Code: OV6418PIR

Description: 18W 227mm Diameter Adaptable Downlight With CTA Switch & PIR - IP44  
- White



### General Information

Dimensions	227mm Diameter x 20mm (D)
Materials	Body: Polycarbonate Diffuser: Polystyrene
Finish	White (RAL 9016)
Product Weight	0.6Kg
Cutout (If Available)	55-175mm Diameter
Ingress Protection	IP20
Warranty	3 Years

### Supply & Power

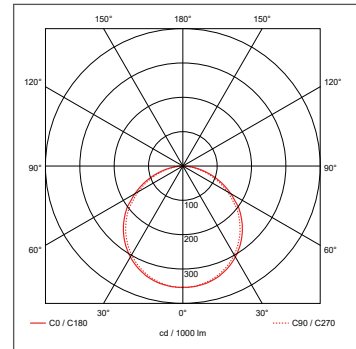
Input Voltage & Frequency	220-240V ~ 50Hz
Electrical Safety	Class II (Double Insulated)
Input Power	18W
Input Current	150mA
In-rush Current	3A (10ms)
Power Factor	>0.5
Ambient Temperature (Ta)	-20°C - +40°C
Critical Temperature	+50°C
LED Driver	Integrated
Input Mains Cable	2 x 0.75mm <sup>2</sup> H03-VVH2F (250mm)

### Luminaire Output

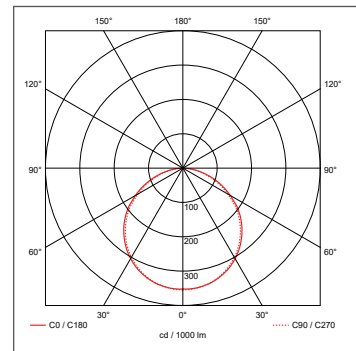
Colour Temperature	3000K	4000K	6000K
Typical Luminous Flux	1369lm	1478lm	1417lm
Efficacy	71lm/W	88lm/W	75lm/W
CRI	>80		
Beam Angle	110°		
Flicker Free	Yes		
LED Lifetime (L70)	30,000 Hours		

### PIR Information

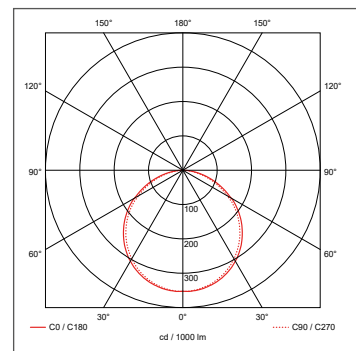
Detection Angle	120°
Detection Distance	6 Metres
Time Delay (DIP Switches)	5 Seconds, 30 Seconds, 1 Minute & 3 Minutes
Lux Level (DIP Switches)	10 Lux, 20 Lux, 40 Lux Or All-day
Soft Start (DIP Switches)	On or Off



3000K



4000K



6000K

