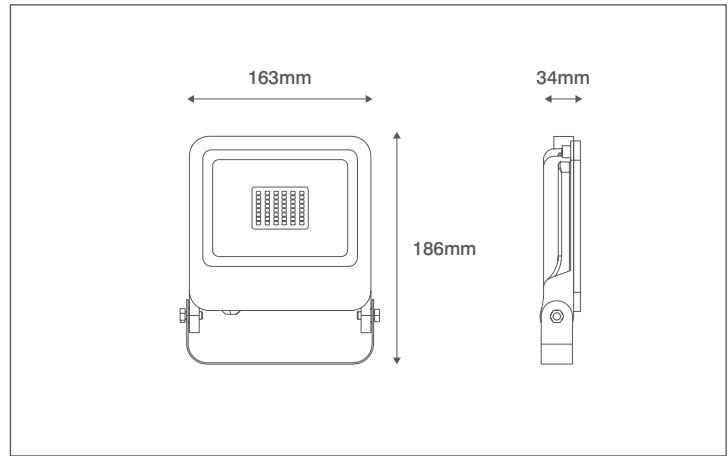
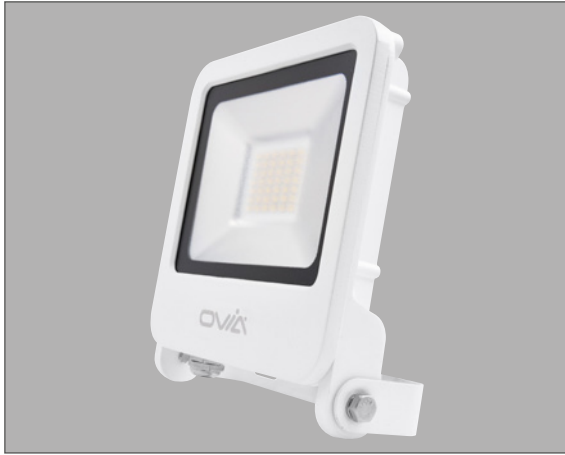


Product Code: OV10130WHCW

Description: 30W LED Floodlight - IP65 - 4000K - White

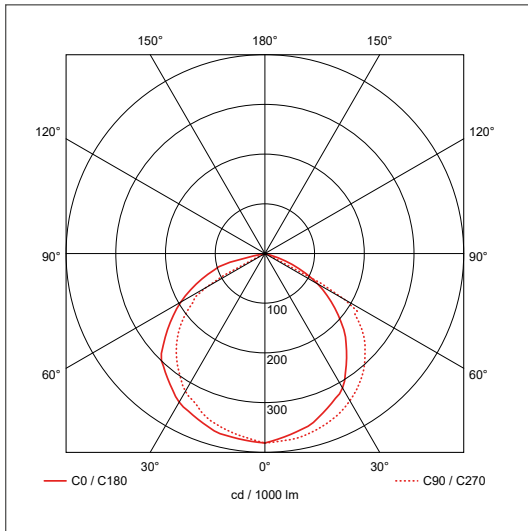


### General Information

|                    |   |
|--------------------|---|
| Dimensions         | 163mm (W) x 186mm (H) x 34mm (D)                          |
| Materials          | Body: Powdercoated Aluminium<br>Diffuser: Prismatic Glass |
| Finish             | White (RAL 9003)  |
| Product Weight     | 0.57Kg  |
| Dimmable           | No  |
| Ingress Protection | IP65  |
| IK Rating          | IK06  |
| Warranty           | 3 Years   |

### Supply & Power

|                           |  |
|---------------------------|--|
| Input Voltage & Frequency | 240V~ 50/60Hz                          |
| Electrical Safety         | Class I                                |
| Input Power               | 30W                                    |
| Input Current             | 46mA                                   |
| Inrush Current            | 0.326A (84µs)                          |
| Power Factor              | 0.9                                    |
| Ambient Temperature (Ta)  | -20°C - +45°C                          |
| Critical Temperature      | -40°C - +70°C                          |
| Input Mains Cable         | 3 x 1mm <sup>2</sup> H05-RNF (1 Metre) |



### Luminaire Output

|                       |              |
|-----------------------|--------------|
| Colour Temperature    | 4000K        |
| CRI                   | >80          |
| Typical Luminous Flux | 2400lm       |
| Efficacy              | 80lm/W       |
| Beam Angle            | 110°         |
| LED Lifetime (L70)    | 30,000 Hours |