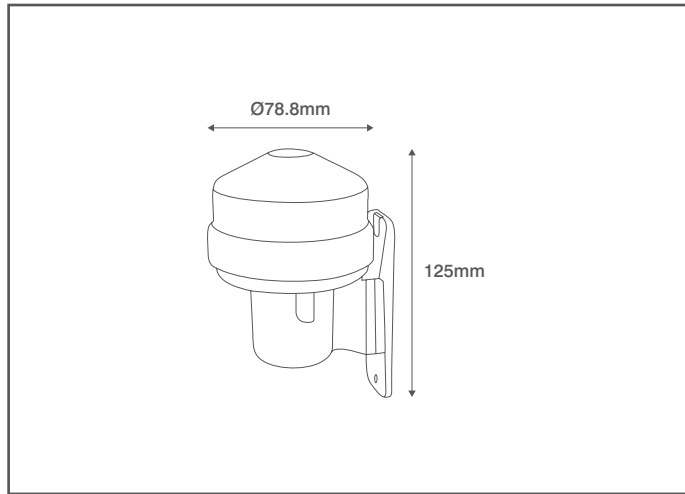


Product Code: OVPC001BK

Description: 10A Wall Mountable Photocell - IP44 - Black



General Information

Dimensions	78.8mm (W) x 125mm (H (With Base)) x 86mm (D)
Materials	Body: Polycarbonate (UV Stabilised)
Product Weight	0.17Kg
Ingress Protection	IP44
Warranty	3 Years

Supply & Power

Input Voltage & Frequency	220-240V~ 50/60Hz
Electrical Safety	Class II (Double Insulated)
Ambient Temperature (Ta)	-20°C - +40°C
Terminations	Input: Permanent Live & Neutral

Sensor Parameters & Settings