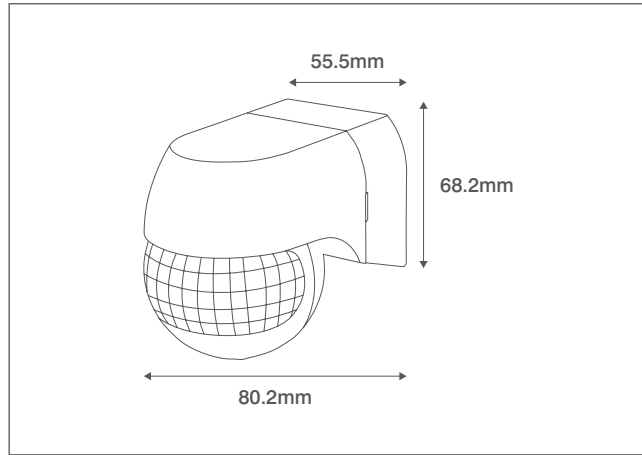
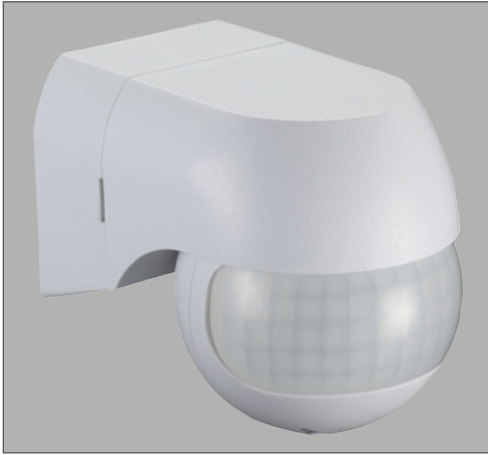


Product Code: OVPIR003WH

Description: Wall Mounted Rotatable 180° PIR - IP44 - White



General Information

| | |
|--------------------|--------------------------------------|
| Dimensions | 55.5mm (W) x 68.2mm (H) x 80.2mm (D) |
| Materials | Body: Polycarbonate (UV Stabilised) |
| Finish | White |
| Typical Mounting | Vertical / Wall |
| Working Humidity | <93%RH |
| Ingress Protection | IP44 |
| Warranty | 5 Years |

Supply & Power

| | |
|---------------------------|--|
| Input Voltage & Frequency | 220-240V~ 50/60Hz |
| Terminations | Input: Permanent Live & Neutral Output: Switched Live (All Screw Terminals) |
| Electrical Safety | Class II (Double Insulated) |
| Load Rating | 400W - LED & Compact Fluorescent 800W - Incandescent & Halogen |
| Zero Cross Technology | Yes |
| Power Consumption | 0.5W Approx. |
| Ambient Temperature (Ta) | -20°C - +40°C |

Sensor Parameters & Settings

| | | |
|------------------------|--------------------------|---|
| Installation Height | 1.8 Metres to 2.5 Metres | |
| Detection Distance | 12 Metres Max. (<24°C) | |
| Detection Angle | 180° | |
| Detection Motion Speed | 0.6-1.5m/s | |
| Manual Adjustments | Time Delay | 10 Seconds (Min. +3 Seconds) to 15 Minutes (Max. + 2 Minutes) |
| | Lux Level | 3 Lux (Minimum) to 2000 Lux (Maximum) |

Detection Area Schematics

