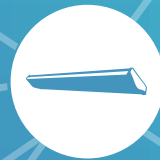


QVIS[®]

LED LIGHTING



Affordability Without Compromise
Product Catalogue 2021



Listed in  **LUCKINS**



AN INTRODUCTION TO QVIS LIGHTING

QVIS Lighting, now approaching its eighth year as a recognised luminaire manufacturer, continues to grow through innovation, depth of range and customer loyalty. As well as being a member of the Lighting Industry Association (LIA), The Manufacturers' Organisation (MAKE) and Philips EnabLED Licensing Program, QVIS is also an ISO 9001:2015 registered company. Through its high level of service and support, the QVIS brand installs trust in the competence to design, supply and service for the life of the project, well beyond its install. A focus on specification and value engineering ensures QVIS offers lighting solutions across all major sectors with minimal lead time and equal or superior product specifications.

Fully equipped with the latest in LED technology, QVIS is established as an affordable brand that doesn't compromise on quality and performance. QVIS is committed to incorporating reputable component manufacturers who guarantee long life and serviceability on their product lines.

Sustainability is important to QVIS, as it is for our customers. We focus on ensuring energy efficiency across our range of fully integrated LED luminaires, which have a proven record of high performance and longevity. Suitable across a wide range of sectors, including but not limited to; commercial, health, industrial, retail and education sector, we offer the flexibility of interchanging drivers on request. With conventional 1-10V, Switch Dim and DALI options, along with the latest in Bluetooth and Wireless communication, QVIS offer dimmable solutions for lighting control requirements, assisting in energy saving, building sustainability performance and in turn, a reduction in carbon footprint.

In order to further enhance its growing reputation and brand recognition within the UK, QVIS has acquired lighting specialists from some of the biggest manufacturers in Europe and partnered with market leading component and solution providers. Utilising their wealth of knowledge and expertise in design, supply and implementation, QVIS gain a full understanding of their customer's project needs and requirements.

In 2019, ADATA companies; QVIS lighting and QVIS Security merged to offer our wholesale and specification partners, both lighting and CCTV. It is not only the synergy of these companies that led to the merge, but also the enhanced customer service and offering that would ensue. With a range of premium Security and CCTV products now added to the range, the exceptional quality and reliability that QVIS customers have experienced now extends beyond lighting.

The QVIS customer base and market coverage has grown exponentially and continues on this trajectory, while investment in an ever expanding product range and sales support will continue to give QVIS Lighting and Security customers peace of mind.

Luminaires shown within the Spec and Trade ranges are stocked in volume at our Hampshire HQ. Although we pride ourselves on the ability to turn full project quantities around with very short lead times, occasionally we may find a stock line has been ordered in it's entirety, leaving us short between replenishing. Qvis Lighting has over eight years experience in sourcing bespoke and hard to find LED products. Please feel free to contact our team if the luminaire you require cannot be found within our range. All stocked items are on a next day delivery before 4pm.

CONTACT YOUR LOCAL ROAD REP



**SCAN THE BELOW QR CODE TO GO TO
OUR CONTACT PAGE AND FIND
YOUR AREA SALES MANAGER**



RANGE & WARRANTY

Our range is divided into two categories; Trade and Spec. These are illustrated in the colours below, with the relevant warranties associated with them.

TRADE RANGE

A contractor friendly, day to day range, offering cost effective reliable LED solutions straight from the box. A component lifespan of between 30,000 to 50,000 hours and a 3 or 5 year complete luminaire warranty. Still using branded components on the majority of luminaires, the stockist focussed product mix is designed for everyday convenience and fast project turnaround.

SPEC RANGE

Project specific luminaires, offering the highest level of performance and equipped with a premium component build, using only established and recognised manufacturers in the market. A component lifespan of between 50,000 to 100,000 hours and either a 5 year or 6 year complete luminaire warranty, inclusive of an onsite warranty for the first 1 or 2 years respectively. Designed to be specified with peace of mind and offering the latest in LED technology, when it comes to efficacy, performance and build.



3 YEAR PRODUCT ONLY WARRANTY**



5 YEAR PRODUCT ONLY WARRANTY**



5 YEAR PRODUCT + 1 YEAR ON-SITE* WARRANTY**



6 YEAR PRODUCT + 2 YEAR ON-SITE* WARRANTY**

*On Site Warranty only valid when project is registered on order, please request registration form from your account manager.

**Provided that our warranty conditions are satisfied. This is exclusive of emergency battery back-up, where a 2 year warranty will apply to Lithium Iron Phosphate (LiFePO4) batteries and 1 year warranty on Nickel-cadmium (NiCd) batteries. Warranties are subject to change over time, so please confirm when placing the order.

CONTENTS

TECHNOLOGY & INNOVATION

PAGE 5 TO 12

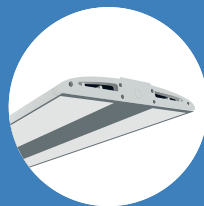
EXTERNAL RANGE

PAGE 13 TO 21



INDUSTRIAL RANGE

PAGE 22 TO 33



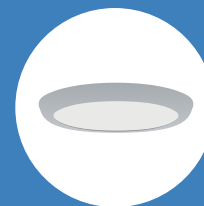
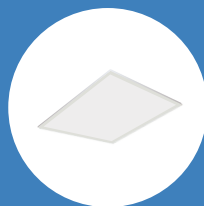
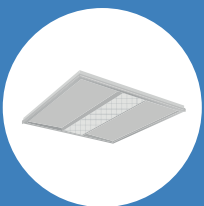
SURFACE & SUSPENDED RANGE

PAGE 34 TO 46



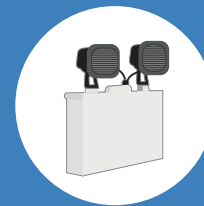
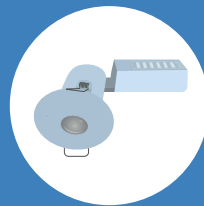
MODULAR & RECESSED RANGE

PAGE 47 TO 76



EMERGENCY RANGE

PAGE 77 TO 84



CONTINUOUS LINEAR RANGE

PAGE 85 TO 87



TECHNOLOGY & INNOVATION



Scan QR For Direct Link To Download the FREE QLS Mobile App For Your Account
& New Product Information, Product Demos & So Much More!

Call Us On: +44 (0) 2393 870 050 Email: sales@qvislighting.com Visit our website: www.qvisled.com
Information is subject to change without notice.

QVIS LIGHTING & SECURITY (QLS) APP

Keep up to speed with everything Qvis

Download The QLS App Now!

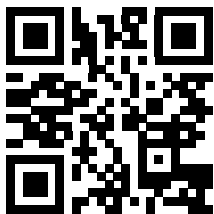


App Features:

- > Live stock availability
- > Click & collect service
- > Tailored login depending on user
- > Direct WhatsApp technical support
- > Full account history (if applicable)
- > Individually customised pricing
- > Rebate tracker (if applicable)
- > Live chat with technical support
- > Stockist locator
- > Push notifications
- > Full account history (if applicable)
- > Update account details & password
- > 'How to' videos & guides
- > Exclusive promotions
- > Passwords of the day (for security)
- > Re-order favourites



Scan QR For QLS APP



5
RATING



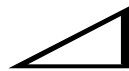
IOT & DIMMABLE SOLUTIONS



WE OFFER A RANGE OF DIMMABLE SOLUTIONS ON SELECTED FITTINGS:



- Dali 2.0 Interface Dimming
- Retractable Switch / Touch Dimming
- 1-10V Rotary Switch Dimming
- 10% Corridor Dimming
- DSI Interface Dimming
- Phase Dimming



WE ALSO OFFER IOT SOLUTIONS THAT ALLOW FOR SMART, CLOUD-BASED LIGHTING

- Control luminaires wirelessly from your chosen device
- Create a responsive lighting environment where luminaires work together as one eco-system

OUR IOT PARTNERS: (OTHERS AVAILABLE ON REQUEST)

enlighted CASAMBI OSRAM TRIDONIC

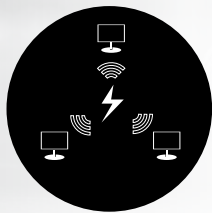
ENLIGHTED IOT TECHNOLOGY

enlighted IS ONE OF OUR REGISTERED IOT PARTNERS.

ENLIGHTED IS A MULTI-AWARD WINNING SUPPLIER OF SMART IOT SOLUTIONS OWNED BY GLOBAL TECH MANUFACTURER SIEMENS. THEY USE THE TECHNOLOGY TO TRANSFORM A REGULAR BUILDING INTO A 'SMART BUILDING' USING INTELLIGENT LIGHTING.



AIRE SUPPORT



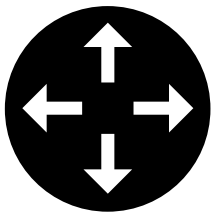
ENVIRONMENT DATA & LIGHTING CONTROLS API



ENERGY REPORTING



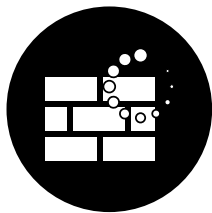
DAYLIGHT HARVEST



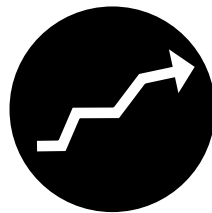
WHERE & SPACE APPLICATIONS



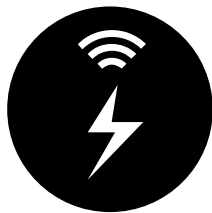
SCHEDULED LIGHTING



BUILDING MANAGEMENT INTEGRATION SYSTEM



AUTOMATED DATA RESPONSE



LOCATION, OCCUPANCY APIS & BEACONING



MOTION

BENEFITS

ECONOMICS -

ENERGY SAVINGS CAN CANCEL OUT COSTS OF THE SENSOR PLATFORM, SAVING YOU MONEY.

INTELLIGENCE -

THE SENSORY SYSTEM GIVES EVERY LUMINAIRE SMART FUNCTIONALITY - ALL ACTING AS ONE ECOSYSTEM.



CASAMBI IS ANOTHER OF OUR REGISTERED IOT PARTNERS.

CASAMBI AIM TO PROVIDE 'LIGHTING CONTROL FOR THE MODERN WORLD'. THEY SPECIALISE IN LIGHTING ECOSYSTEMS WHERE LUMINAIRES CAN BE INTERACTED WITH VIA BLUETOOTH TO ACHIEVE SEAMLESS TRANSITIONS.



GROUPING -

Luminaires can easily be grouped together using the Casambi app. This allows all lights to be controlled as one unit; the group can easily be opened for individual luminaire control.



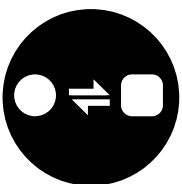
DAYLIGHT SENSOR -

This smart sensor allows the luminaire to automatically adjust depending on how much natural light is present. This saves energy and reduces unnecessary glare.



SYNCHRONISATION -

Intelligence is replicated in each node. This allows failure to be avoided, as all luminaires connect via the dedicated cloud, meaning that even if one goes offline temporarily it will be able to catch up instantly.



ANIMATION -

This function creates dynamic scenes in which one scene can smoothly transition into another. The user can set fade times and create repeating cyclic sequences.



SCALABILITY -

The intelligent cloud-based system allows luminaires to work together, whether the solution is a small group of lights or an entire network for a large building.



Casambi Wall Controller

OSRAM HUBSENSE IOT

OSRAM HUBSENSE

HUBSENSE IS AN INDUSTRY LEADING IOT SOLUTION THAT ALLOWS ALL COMPATIBLE LIGHTS WITHIN YOUR BUILDING TO ACT AS ONE INTELLIGENT ECOSYSTEM. CONTROL YOUR LIGHTS REMOTELY OR VIA A SMART SWITCH.



Intuitive planning and commissioning



Fast and flexible installation

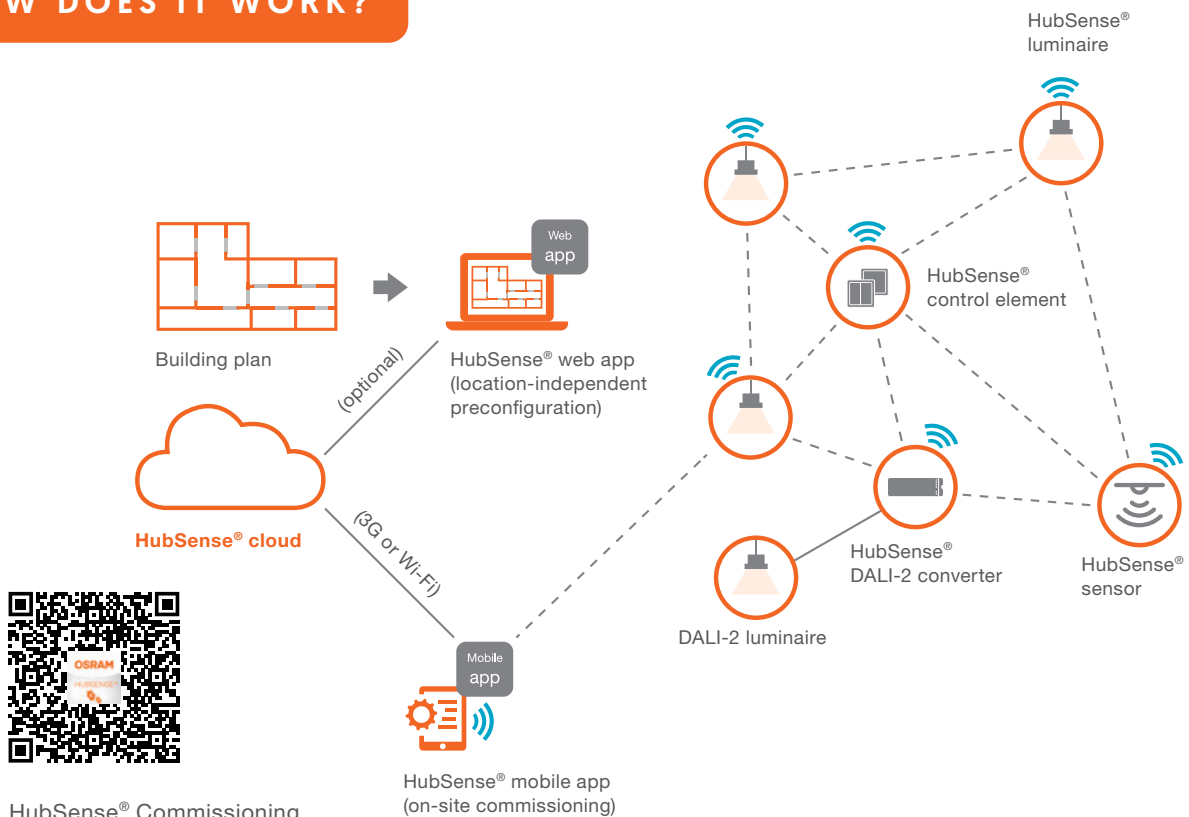


Sustainable investment



Profitable retrofitting

HOW DOES IT WORK?



HubSense® Commissioning Tool mobile app



OSRAM

TUNEABLE WHITE TECHNOLOGY

2700K

4000K

6500K

4000K

2700K



Unlike fixed or switchable colour options, tuneable white technology enables the luminaire to cycle through colour temperature, to imitate daylight's natural cycle. This can promote well-being in the workplace and positively influence our body's natural circadian rhythm.

In the process, production of hormones that control alertness and concentration are regulated:

Melatonin - Lowers body activity in favour of rest - a warmer light promotes higher melatonin, allowing a gradual progression in the morning, while in the evening setting the body up for easier sleep later on in the night.

Cortisol - Stimulates metabolism and prepares the body for the day ahead. Activated more in cooler light.

Serotonin - Helps to elevate energy and motivation as cortisol levels naturally drop as the day progresses.



DAII or Bluetooth options with either two retractable switches or app/remote

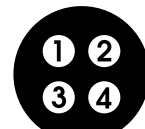
Download the **4remote BT** app to interact with your tuneable white luminaire from your phone or tablet

GET IT ON
Google Play

Download on the
App Store

The Controls

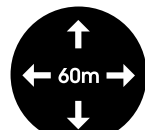
Luminaires with Bluetooth, tuneable white functionality, have the option to include a wireless wall switch, that allows up to 4 customisable lighting scenes, dim up/ dim down and cycle warmer/ cooler.



UP TO 4 SCENES



FULLY WIRELESS



60 METRE RANGE



MAGNETIC BRACKET EASY MOUNT

INTELLIGENT DRIVERS

MAINS DIMMING, MADE EASY

When dimming is required on any QVIS Modular spec, the 4in1 Tridonic PREMIUM Drivers make light work of energy saving and give our customers' a brand name you can rely on. Electricians will benefit from this new technology, as will users looking for greater convenience from their lighting systems. Conventional non-dimmable lighting can now be replaced easily and cost-effectively with state-of-the-art dimmable LED lighting.

Luminaires are controlled via the mains, with no need for any additional wiring. We configure our Luminaires with ready2mains, saving time and enhancing flexibility. This reduces production costs and installation costs and also reduces possible sources of error.

The interface between the control unit and the luminaires is the ready2mains gateway which transmits the dimming commands in digital form via the mains cable ensuring reliable and robust data transmission. There is no need for any additional data cables such as DALI/ DSI systems.

Conventional push buttons can be used as the control units, and sensors for detecting presence or daylight, for example, can now be easily integrated. Integration in a DALI network is also possible via the one4all interface at the gateway. The interface also adds DALI, DSI, Switch Dim and corridor functionality.



DIMMING LEVEL 100%



DIMMING LEVEL
50%

TRIDONIC ONE FOR ALL [DIGITAL DRIVER]

KEY FEATURES

- Output Current Adjustable Between 500 – 1,400 Ma
- Max. Output Power 45W
- Best Energy Savings From Low Stand-By Losses And High Efficiency
- Dimming Range 1 To 100%
- 5-Year Guarantee
- One4all [Dali Dt 6, Dsi, Switch Dim, Corridor function]
- Ready2mains™ [Configuration And Dimming Via Mains]
- Reliability Proven By Life-Time Up To 100,000 Hours



QVIS 3-IN-1 DRIVER [Q-DRIVE]

Our new LED dimmable driver comes with all 3 major dimming technologies in one: Switch Dim/Dali/1-10V

KEY FEATURES

- Switch Dim/Touch Dim/Push Dim/Dali
- 1-10V Analogue
- 180-264Vac Input
- Built In Active Pfc Function, High Pf, Low Thd
- Standby Power Consumption <0.5W To Turn Off Dimmable Port
- Built In Dali/Push/1-10V&10V Pwm Dimming Function
- Constant Current Mode Output With Multiple Levels Selectable By Dip. Switch
- Supporting Multi-Power Supplies Synchronous Dimming Connected In Parallel
- 5 Year Guarantee



EXTERNAL RANGE



QStreet Street Lighting



Page 15

Rebel Canopy Bulkheads



Page 18

QSport Pitch Asymmetric Flood Lights



Page 21

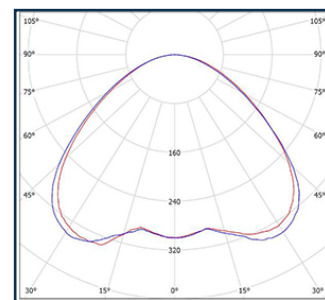
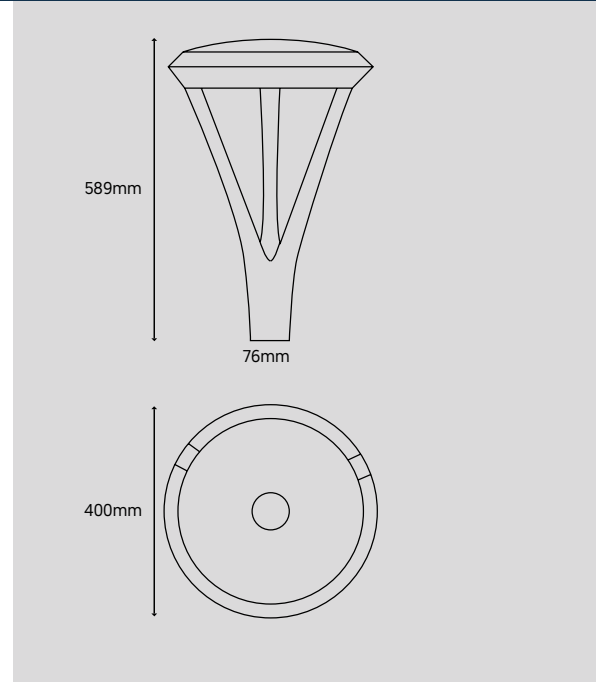
QVIS now has an extensive range of exterior lighting, with the introduction of post top luminaires, street lights and high output floods. QVIS have continued to expand their range, while maintaining a focus on quality and aesthetically pleasing luminaires within this space. Product highlights include, QSTREET PRO in; 30W,50W,100W and 150W variants, with an asymmetric optic as standard, NEMA socket (enabling additional photocell) and spigot for 60mm or 76mm mounting options. Both the LUNA and ECLIPSE external bulkheads now come as tri-colour (3000K, 4000K and 6000k) for added versatility. Additionally, to compliment the range, the new REBEL mould offers robust circular and square bulkhead variants, with multiple conduit entry points and white and black base options. QSPORT introduces high output asymmetric floods, providing a solution for sports pitch applications. QSPORT 600W and 1200W are IP66 as standard, with laser direction and light spill shields for easy installation and optimum coverage.



Scan QR For Direct Link To Download the FREE QLS Mobile App For Your Account & New Product Information, Product Demos & So Much More!

Call Us On: +44 (0) 2393 870 050 Email: sales@qvislighting.com Visit our website: www.qvisled.com
Information is subject to change without notice.

AT A GLANCE



BEAM DISTRIBUTION

LEO POST-TOP LUMINAIRE

Specification	Leo 25W	Leo 35W	Leo 58W
System Power	25W	35W	58W
LED Chipset	Lumileds	Lumileds	Lumileds
Driver Manufacturer	Mean Well	Mean Well	Mean Well
Colour Rendering Index [CRI]	>80	>80	>80
Lumen Output	2625Lm	3675Lm	6090Lm
LED Efficacy	105Lm/cW	105Lm/cW	105Lm/cW
IP Rating	IP66	IP66	IP66
IK Rating	IK08	IK08	IK08
Beam Spread	110°	110°	110°
Surge Protection	6Kv	6Kv	6Kv
Projected Area [sq.ft.]	0.83	0.83	0.83
Colour Temperature	4000K	4000K	4000K
Operating Temperature	-40 to +45 °C	-40 to +45 °C	-40 to +45 °C
Input Voltage	AC 100-277V	AC 100-277V	AC 100-277V
Spigot Dimensions	76mm	76mm	76mm
Weight	8.8kg	8.8kg	8.8kg
Dimensions (Without Spigot)	Ø400x589mm	Ø400x589mm	Ø400x589mm
ECA Scheme Compliant	Yes	Yes	Yes

CODES:

- LEO-25NW (25W)
- LEO-35NW (35W)
- LEO-58NW (58W)



AT A GLANCE



ADDITIONAL INFORMATION

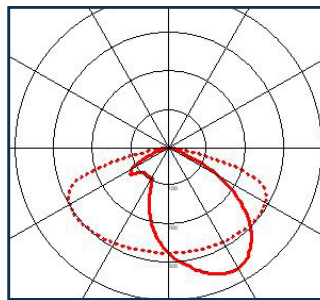
- Available without shorting cap & 3-pin NEMA socket
- Optional photocell sensor (code below spec table)
- Wall bracket attachment available (code below spec table)



LEDs inside



Driver as standard



BEAM DISTRIBUTION

QSTREET PRO LIGHTING

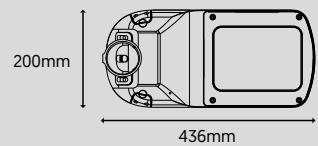
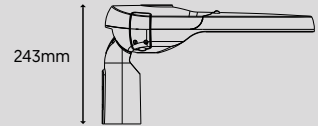
Specification	QStreet 30W	QStreet 50W	QStreet 100W	QStreet 150W
System Power	30W	50W	100W	150W
LED Chipset	Lumileds	Lumileds	Lumileds	Lumileds
Driver Manufacturer	Mean Well	Mean Well	Mean Well	Mean Well
Colour Rendering Index [CRI]	>80	>80	>80	>80
Lumen Output	4500Lm	7500Lm	15000Lm	22500Lm
LED Efficacy	150Lm/cW	150Lm/cW	150Lm/cW	150Lm/cW
Lens Material	Tempered Glass (IK08)	Tempered Glass (IK08)	Tempered Glass (IK08)	Tempered Glass (IK08)
Power Factor	>0.95	>0.95	>0.95	>0.95
IP Rating	IP66	IP66	IP66	IP66
Beam Spread	70° x 155°	70° x 155°	70° x 155°	70° x 155°
Surge Protection	10Kv	10Kv	10Kv	10Kv
Colour Temperature	4000K	4000K	4000K	4000K
Housing Material	Aluminium Body	Aluminium Body	Aluminium Body	Aluminium Body
THD	< 20%	< 20%	< 20%	< 20%
Operating Temperature	-40 to +60 °C	-40 to +60 °C	-40 to +60 °C	-40 to +60 °C
Input Voltage	AC100-277V	AC100-277V	AC100-277V	AC100-277V
Spigot	60mm or 76mm	60mm or 76mm	60mm or 76mm	60mm or 76mm
Weight	4.8kg	4.8kg	6kg	7.1kg
Dimensions	436mm x 200mm x 243mm	436mm x 200mm x 243mm	490mm x 233mm x 243mm	553mm x 260mm x 243mm
ECA Scheme Compliant	Yes	Yes	Yes	Yes

CODES

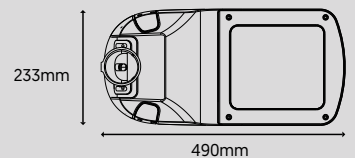
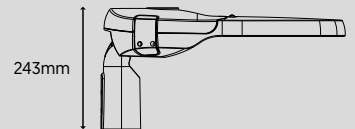
- QSTREET-PRO-30NW (30W)
- QSTREET-PRO-50NW (50W)
- QSTREET-PRO-100NW (100W)
- QSTREET-PRO-150NW (150W)
- QSTREET-WBRACKET (Wall Bracket Attachment)
- QSTREET-PRO-PCELL (Photocell)



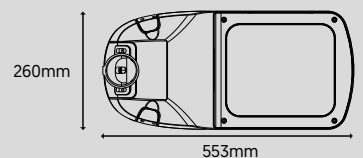
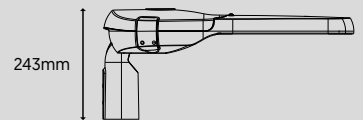
30W & 50W



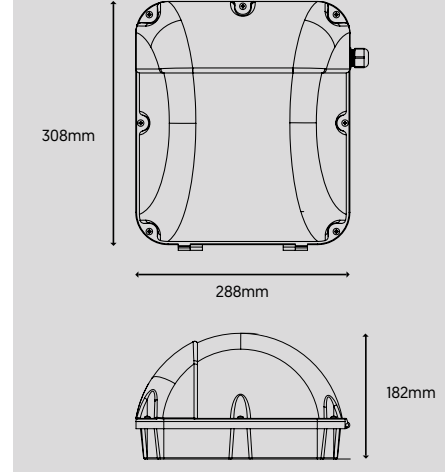
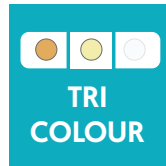
100W



150W



AT A GLANCE



ADDITIONAL INFORMATION

- Integral emergency available
- Mains dimmable, DALI, switch-dim, 1-10v & IOT
- Simple bypass option if no integral photocell is required

TRIDONIC

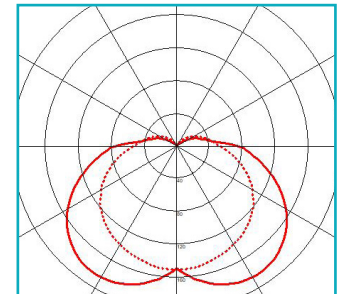


Driver as standard

LEDs inside

LUNA WALL PACK

Specification	Luna
System Power	40W
LED Chipset	Samsung
Driver Manufacturer	Tridonic
Colour Rendering Index [CRI]	>80
Lumen Output	4200Lm
LED Efficacy	105Lm/cW
Sensor	Integral Photocell
IK Rating	IK10
Power Factor	0.95
IP Rating	IP65
Beam Spread	125°
Colour Temperature	3000K / 4000K / 5000K
Housing Material	Aluminium Body
Diffuser Type	Polycarbonate
Operating Temperature	-20 to +65 °C
Input Voltage	AC220-240V
Weight	2.7kg
Dimensions	308mm x 288mm x 182mm
ECA Scheme Compliant	Yes



BEAM DISTRIBUTION

CODES:
LUNA-40TC

ADD /EM FOR EMERGENCY



AT A GLANCE



ADDITIONAL INFORMATION

- Integral emergency available
- Dimmable (1-10V, Phase Cut, Corridor, DALI, Switch Dim, DSI, IOT)
- Integral microwave sensor available
- Half moon cover available separately as an accessory (code below spec table)

EPISTAR LEDs inside
Q-DRIVE Driver as standard

ECLIPSE DIE CAST TRI-COLOUR BULKHEAD

Specification	Eclipse Full Moon	Eclipse Half Moon
System Power	16W	16W
Lumen Output	1350Lm	700Lm
LED Chipset	Epistar	Epistar
Driver Manufacturer	Q-Drive	Q-Drive
Lumen Efficacy	85Lm/W	44Lm/W
Colour Rendering Index (CRI)	>80	>80
Power Factor	>0.95	>0.95
IK Rating	IK10	IK10
IP Rating	IP65	IP65
Colour Temperature	3000K, 4000K, 5000K	3000K, 4000K, 5000K
Housing Material	Die-cast Aluminium	Die-cast Aluminium
Diffuser Material	Polycarbonate	Polycarbonate
Operating Temperature	-15 to +50 °C	-15 to +50 °C
Input Voltage	AC200-240V	AC200-240V
Weight	3.1kg	3.2kg
Dimensions	Ø365mm x 141.5mm	Ø365mm x 156mm

CODES:

EC-16-TC [FULL MOON]
EC-16-TC-HM [HALF MOON]

ADD /EM FOR EMERGENCY
ADD /MS FOR MICROWAVE

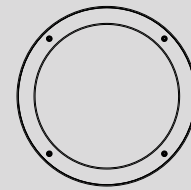
EC-EYELID [HALF MOON COVER]



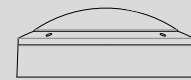
DIMMING OPTIONS



FULL MOON

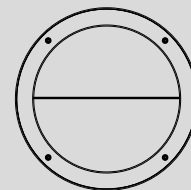


365mm

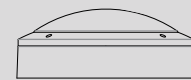


141.5mm

HALF MOON

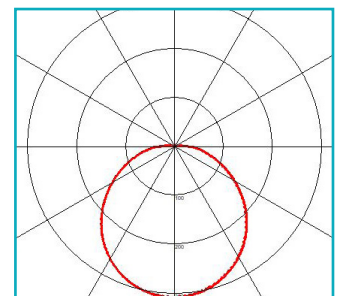


365mm



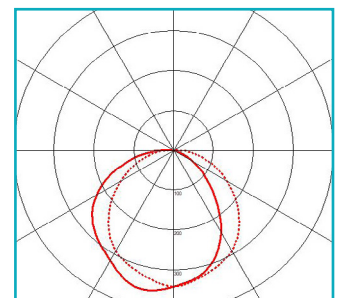
156mm

FULL MOON



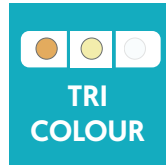
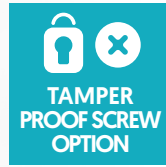
BEAM DISTRIBUTION

HALF MOON



BEAM DISTRIBUTION

AT A GLANCE



ADDITIONAL INFORMATION

- Integral emergency available
- Corridor microwave sensor option [0% - 10% - 25%]
- Dimmable [1-10v, Phase Cut, Corridor, DALI, Switch Dim, DSI, IOT]
- Available with black bases, sold separately [codes below spec table]



EPISTAR **Q-DRIVE**

LEDs inside

Driver as standard

REBEL CANOPY BULKHEAD

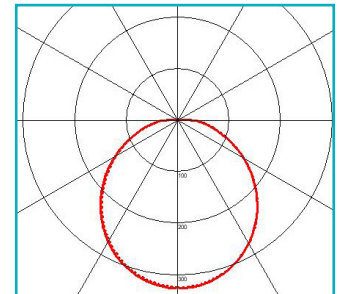
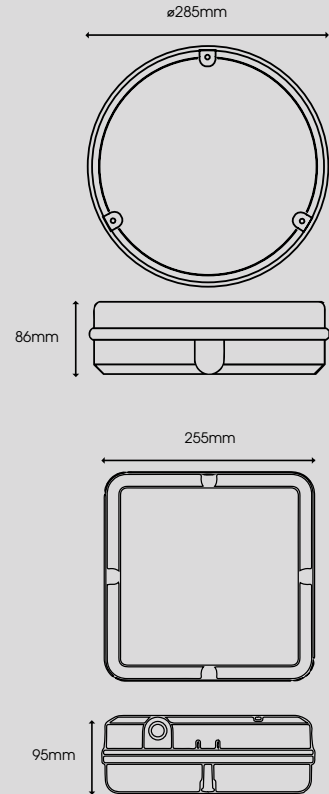
Specification	Rebel Circular	Rebel Square
System Power	15W	15W
Driver Manufacturer	Q-Drive	Q-Drive
LED Chipset	Epistar	Epistar
Colour Rendering Index [CRI]	>80	>80
Lumen Output	1350Lm	1350Lm
LED Efficacy	90Lm/cW	90Lm/cW
Dimmable	Contact Office	Contact Office
Power Factor	>0.9	>0.9
IP Rating	IP65	IP65
Materials	Polycarbonate housing, polycarbonate diffuser	Polycarbonate housing, polycarbonate diffuser
Beam Spread	120°	120°
Colour Type	Switchable	Switchable
Colour Temperature	3000K, 4000K, 6000K	3000K, 4000K, 6000K
Weight	0.78kg	0.84kg
Operating Temperature	-20 to +40 °C	-20 to +40 °C
Dimensions	Ø285mm x 86mm	255mm x 95mm

CODES:

- RBL-S15-255TC [Square]
- RBL-R15-285TC [Round]
- RBL-SQ-BLK-BASE [Square with Base]
- RBL-RD-BLK-BASE [Round with Base]



ADD /EM FOR EMERGENCY
ADD /M FOR MICROWAVE

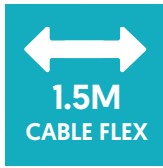


BEAM DISTRIBUTION

DIMMING OPTIONS



AT A GLANCE



30W

50W

ADDITIONAL INFORMATION

- PIR version available (50W only)
[code below spec table]



EPISTAR

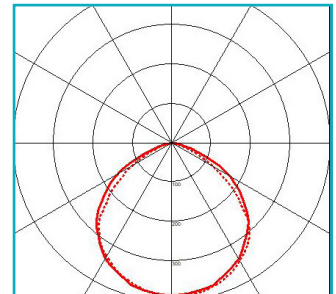
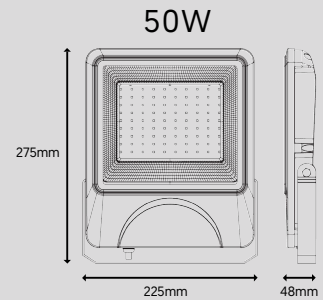
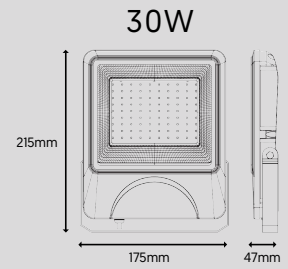
Driver as standard LEDs inside

QFLOOD RESIDENTIAL

Specification	QFlood 30W	QFlood 50W
System Power	30W	50W
LED Chipset	Epistar	Epistar
Driver Manufacturer	Mean Well	Mean Well
Colour Rendering Index [CRI]	>85	>85
Lumen Output	3600Lm	6000Lm
LED Efficacy	120Lm/cW	120Lm/cW
Dimmable	Contact Office	Contact Office
Power Factor	0.97	0.97
IP Rating	IP66	IP66
Beam Spread	120°	120°
Colour Temperature	5700K	5700K
Housing Material	High Grade 6063 Aluminium	High Grade 6063 Aluminium
Lens Material	Tempered Glass	Tempered Glass
Operating Temperature	-20 TO + 50 °C	-20 TO + 50 °C
Input Voltage	AC 200-240V 47-63Hz	AC 200-240V 47-63Hz
Cable Flex	1.5m	1.5m
Weight	1.5kg	2kg
Dimensions	215x175x47mm	275x225x48mm
ECA Scheme Compliant	Yes	Yes

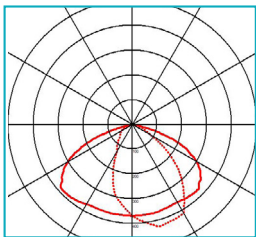
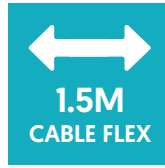
CODES:

QFLOOD-30CW (30W)
QFLOOD-50CW (50W)
QFLOOD-50CW/PIR (50W PIR)



BEAM DISTRIBUTION

AT A GLANCE



BEAM DISTRIBUTION



Driver as standard



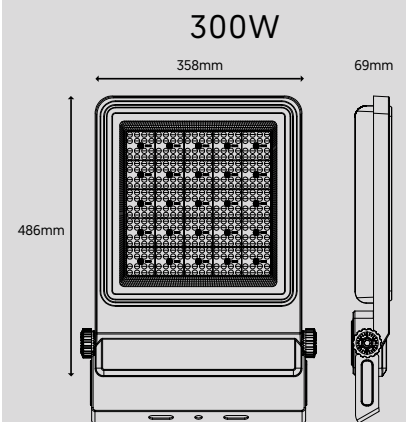
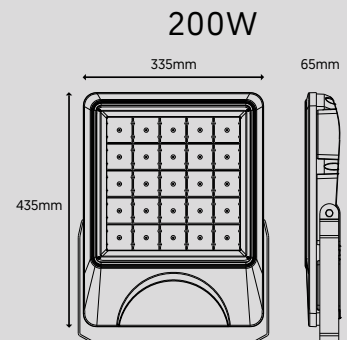
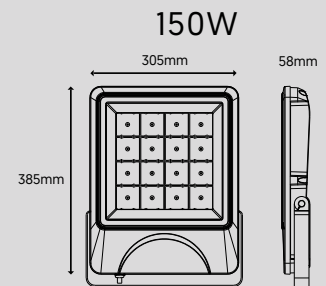
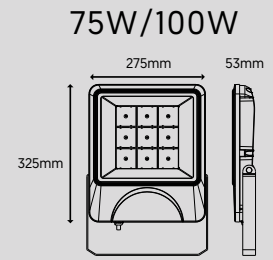
LEDs inside

QFLOOD COMMERCIAL (ASYMMETRIC)

Specification	QFlood 750W	QFlood 100W	QFlood 150W	QFlood 200W	QFlood 300W
System Power	75W	100W	150W	200W	300W
LED Chipset	Osram	Osram	Osram	Osram	Osram
Driver Manufacturer	Mean Well	Mean Well	Mean Well	Mean Well	Mean Well
Colour Rendering Index (CRI)	>80	>80	>80	>80	>80
Lumen Output	9000Lm	12000Lm	18000Lm	24000Lm	39000Lm
LED Efficacy	120Lm/cW	120Lm/cW	120Lm/cW	120Lm/cW	130Lm/cW
Power Factor	0.95	0.95	0.95	0.95	0.95
IP Rating	IP66	IP66	IP66	IP66	IP66
Beam Spread	150°75°	150°75°	150°75°	150°75°	150°75°
Colour Temperature	6000K	6000K	6000K	6000K	6000K
Housing Material	Aluminium	Aluminium	Aluminium	Aluminium	Aluminium
Lens Material	Glass	Glass	Glass	Glass	Glass
Operating Temperature	-25 to +50 °C	-25 to +50 °C	-25 to +50 °C	-25 to +50 °C	-25 to +50 °C
Input Voltage	AC 85-277V, 50-60Hz	AC 85-277V, 50-60Hz	AC 85-277V, 50-60Hz	AC 85-277V, 50-60Hz	AC 85-277V, 50-60Hz
Cable Flex	1.5m	1.5m	1.5m	1.5m	1.5m
Weight	3.6kg	3.6kg	5.1kg	6.7kg	8.5kg
Dimensions	325x275x53mm	325x275x53mm	385x305x58mm	435x335x65mm	486x358x69mm
ECA Scheme Compliant	Yes	Yes	Yes	Yes	Yes

CODES:

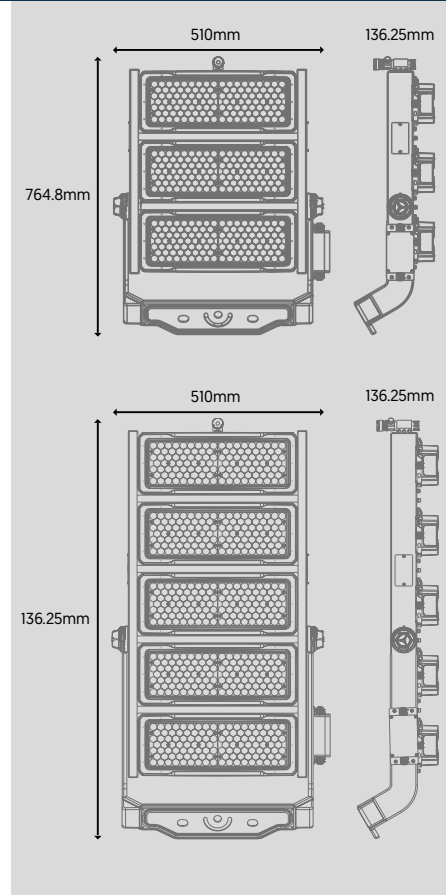
- QFLOOD-75CW/AS (75W)
- QFLOOD-100CW/AS (100W)
- QFLOOD-150CW/AS (150W)
- QFLOOD-200CW/AS (200W)
- QFLOOD-300CW/AS (300W)



QSPORT PITCH (ASYMMETRIC)

SPEC RANGE

AT A GLANCE



ADDITIONAL INFORMATION

- Laser pen attachment available (code below spec table)
- Light spill shield attachments available (code below spec table)



Driver as standard LEDs inside

QSPORT PITCH (ASYMMETRIC)

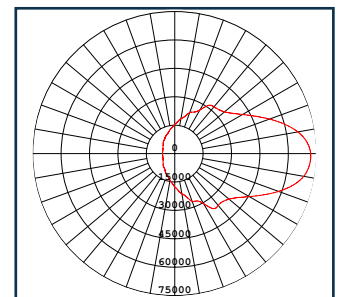
Specification	QSport 600W	QSport 1200W
System Power	600W	1200W
LED Chipset	Samsung	Samsung
Driver Manufacturer	Mean Well	Mean Well
Colour Rendering Index (CRI)	>80	>80
Lumen Output	84000Lm	168000Lm
LED Efficacy	140Lm/cW	140Lm/cW
Power Factor	0.95	0.95
IP Rating	IP66	IP66
Beam Spread	130°*60°	130°*60°
Colour Temperature	6000K	6000K
Housing Material	Aluminium	Aluminium
Lens Material	PC	PC
Operating Temperature	-25 to +50 °C	-25 to +50 °C
Input Voltage	AC 85-277V, 50-60Hz	AC 85-277V ,50-60Hz
Weight	21.5kg	33.5kg
Dimensions	764.8x136.25x510mm	1165.8x136.25x510mm
ECA Scheme Compliant	Yes	Yes

CODES:

- QSPORT-600CW/AS (600W)
- QSPORT-1200CW/AS (1200W)
- QSPORT-LASER (Laser Pen)
- QSPORT-SHIELD (Light Spill Shield)

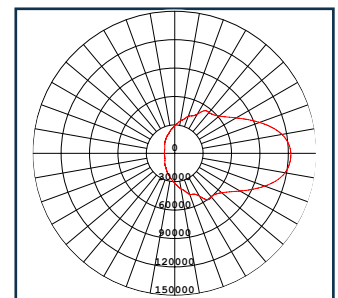


600W



BEAM DISTRIBUTION

1200W



BEAM DISTRIBUTION

INDUSTRIAL RANGE



Glow UFO Industrial Highbay



Page 23

Glow UFO Accessories



Page 26

AquaPack Tri-Colour Wattage Switchable



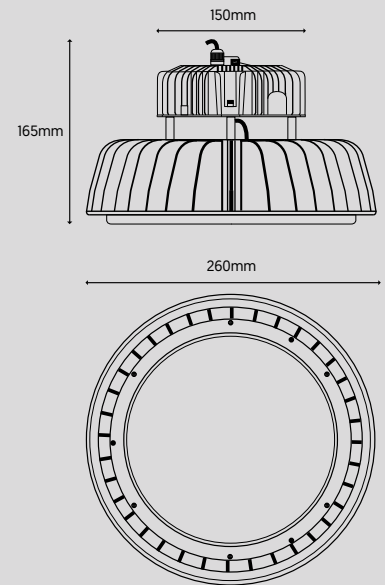
Page 33

QVIS have long maintained a reputation for affordable, stringently built, industrial luminaires. Product highlights include the GLOWUFO [140Lm/cW, tempered glass lens] and GLOWUFO MAX [180Lm/cW, polycarbonate lens], the market leading high bays that are built to last; With IK10 protection against impact, for the occasional knocks in a warehouse environment and IP65 protection against dust and moisture, it's built with longevity in mind. A range of accessories for the UFO gives a full product offering with surface mount brackets, suspension hooks, sensor additions, cable extending joiners and reflectors available. Tempered glass and polycarbonate lens options are also available to cover food production requirements, alongside standard warehouse or factory installations. With emergency and sensor options off the shelf, or assembled within a short lead time, a full project can be delivered and installed efficiently to meet the contractor's demands. Introducing the new AQUAPACK, which is a versatile, cost effective, non-corrosive luminaire in 2ft-6ft lengths, all with the useful ability to switch between 4 different wattage/lumen outputs, covering conventional single and twin, but offering flexibility on design as well as installation. With stainless steel clips and an IP66 rating for protection in harsh environments, the AQUAPACK is contractor friendly with 3000K, 4000K and 5000K colour temperatures as an addition to the wattage versatility.



Scan QR For Direct Link To Download the FREE QLS Mobile App For Your Account & New Product Information, Product Demos & So Much More!

AT A GLANCE



ADDITIONAL INFORMATION

- Dimmable (1-10v as standard, DALI from factory)
- Integral emergency available
- Microwave sensor with lux sensitivity option
- 6000K from stock (4000K limited availability)



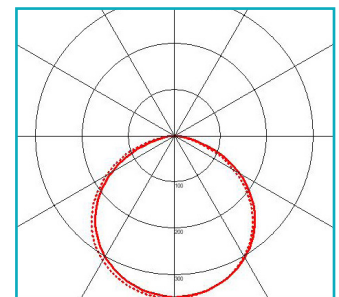
LEDs inside

Driver as standard

Additional colour temperatures and wattages available from factory

UFO HIGH BAY

Specification	UFO 100W	UFO 150W	UFO 200W	UFO 240W
System Power	100W	150W	200W	240W
LED Chipset	Samsung	Samsung	Samsung	Samsung
Driver Manufacturer	Lifud	Lifud	Lifud	Lifud
Colour Rendering Index [CRI]	>85	>85	>85	>85
Lumen Output	14000Lm	21000Lm	28000Lm	33600Lm
LED Efficacy	140Lm/cW	140Lm/cW	140Lm/cW	140Lm/cW
Dimmable	1-10V	1-10V	1-10V	1-10V
Power Factor	>0.9	>0.9	>0.9	>0.9
IP Rating	IP65	IP65	IP65	IP65
Beam Spread	120°	120°	120°	120°
Colour Temperature	4000K/ 6000K	4000K/ 6000K	4000K/ 6000K	4000K/ 6000K
Housing Material	Aluminium	Aluminium	Aluminium	Aluminium
Diffuser Material	Tempered Glass	Tempered Glass	Tempered Glass	Tempered Glass
Operating Temperature	-20 to +50 °C	-20 to +50 °C	-20 to +50 °C	-20 to +50 °C
IK Rating	IK08	IK08	IK08	IK08
Input Voltage	AC 200-240V 47-63HZ	AC 200-240V 47-63HZ	AC 200-240V 47-63HZ	AC 200-240V 47-63HZ
Weight	3.3kg	3.8kg	4.8kg	5.3kg
Dimensions	Ø260mm x 165mm	Ø260mm x 165mm	Ø260mm x 165mm	Ø260mm x 165mm
ECA Scheme Compliant	Yes	Yes	Yes	Yes



BEAM DISTRIBUTION

CODES:

GLOWUFO-100YY (100W)
 GLOWUFO-150YY (150W)
 GLOWUFO-200YY (200W)
 GLOWUFO-240YY (240W)

ADD /EM FOR EMERGENCY
ADD /MS FOR MICROWAVE SENSOR

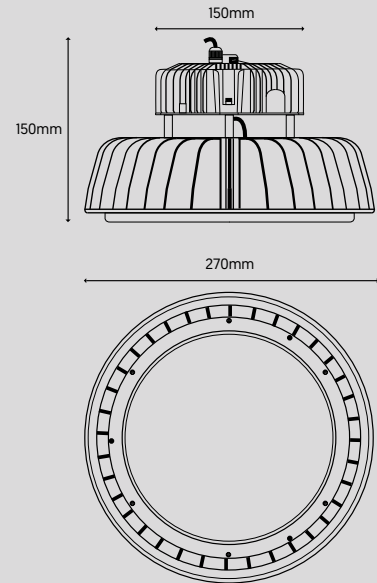


DIMMING OPTIONS



Key: YY = Kelvin (NW for 4000k & CW for 6000k)

AT A GLANCE



ADDITIONAL INFORMATION

- Dimmable (1-10v as standard, DALI from factory)
- **Integral emergency available**
- Microwave sensor with lux sensitivity option
- 4000K from stock (6000K limited availability)



LEDs inside

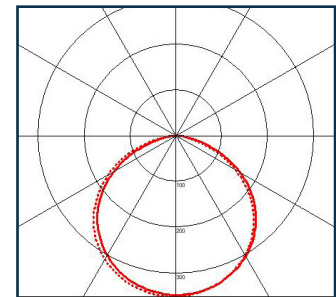


Driver as standard

UFO MAX HIGH BAY

Additional colour temperatures and wattages available from factory

Specification	UFO Max 100W	UFO Max 150W	UFO Max 200W	UFO Max 240W
System Power	100W	150W	200W	240W
LED Chipset	Samsung	Samsung	Samsung	Samsung
Driver Manufacturer	Mean Well	Mean Well	Mean Well	Mean Well
Colour Rendering Index [CRI]	>80	>80	>80	>80
Lumen Output	18000Lm	27000Lm	36000Lm	43200Lm
LED Efficacy	180Lm/cW	180Lm/cW	180Lm/cW	180Lm/cW
Dimmable	1-10V	1-10V	1-10V	1-10V
Power Factor	>0.9	>0.9	>0.9	>0.9
IP Rating	IP65	IP65	IP65	IP65
Beam Spread	120°	120°	120°	120°
Colour Temperature	4000K/ 6000K	4000K/ 6000K	4000K/ 6000K	4000K/ 6000K
Housing Material	Aluminium	Aluminium	Aluminium	Aluminium
Diffuser Material	Polycarbonate	Polycarbonate	Polycarbonate	Polycarbonate
Operating Temperature	-20 to +50 °C	-20 to +50 °C	-20 to +50 °C	-20 to +50 °C
IK Rating	IK10	IK10	IK10	IK10
Input Voltage	AC 200-240V 47-63HZ	AC 200-240V 47-63HZ	AC 200-240V 47-63HZ	AC 200-240V 47-63HZ
Weight	3.5kg	3.8kg	4.6kg	5.5kg
Dimensions	Ø270mm x 150mm	Ø270mm x 150mm	Ø270mm x 150mm	Ø270mm x 150mm
ECA Scheme Compliant	Yes	Yes	Yes	Yes



BEAM DISTRIBUTION

CODES:

GLOWUFO-M180-100YY [100W]
GLOWUFO-M180-150YY [150W]
GLOWUFO-M180-200YY [200W]
GLOWUFO-M180-240YY [240W]

ADD /EM FOR EMERGENCY
ADD /MS FOR MICROWAVE SENSOR



DIMMING OPTIONS



Key: YY = Kelvin [NW for 4000k & CW for 6000k]

Control our Glow UFO range with pre-installed smart basicDIM wireless technology



Download the **4remote BT** app to interact with your basicDIM luminaires from your phone or tablet



basicDIM Wireless User Interface



AT A GLANCE



Benefits for the Luminaire Manufacturer

- Simple configuration
- Define luminaire properties
- Allocate luminaire properties wirelessly



Benefits for the Commissioning Engineer

- Commission, programme and control luminaires intuitively via the 4remote BT App
- Locate and assign luminaires wirelessly with ease
- Adapt the system quickly



Benefits for the Building Operator

- Simple updates
- Reduce power consumption
- Multi-functional use for rooms
- Individual wireless light adjustments



Benefits for the End User

- Individual operation for luminaires
- Simple graphic luminaire selection
- Intuitively adjust the light output and intensity

GLOW UFO ACCESSORIES

90-DEGREE HOOD DETACHABLE REFLECTOR



CODE: GLOWUFO-90HOOD

120-DEGREE HOOD DETACHABLE REFLECTOR



CODE: GLOWUFO-120HOOD

90-DEGREE PRISMATIC DIFFUSER DETACHABLE DIFFUSER



CODE: GLOWUFO-PRISM

BRACKET FOR SURFACE MOUNTING



CODE: GLOWUFO-BRACKET

REMOTE CONTROL FOR Highbay MICROWAVE SENSOR



CODE: MICRO-REMOTE

3-POLE IP68 CONNECTOR IN-LINE CONNECTOR FOR CABLE EXTENSION



CODE: CON-3POLE-IP68

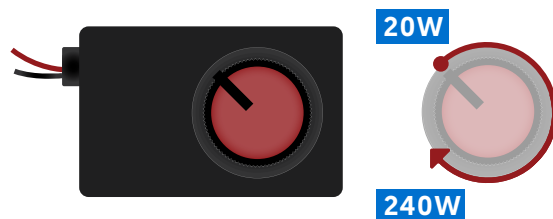
Highbay MICROWAVE SENSOR IP65 RATED SENSOR WITH BRACKET



- BUILT-IN ADJUSTABLE DAYLIGHT SENSOR
- PARAMETERS CAN BE EASILY SET VIA REMOTE CONTROL (SEE ABOVE)
- 15M MAXIMUM MOUNTING HEIGHT
- IDEAL FOR WAREHOUSES

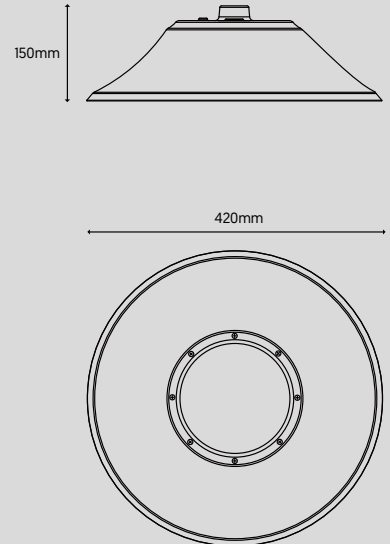
CODE: GLOWUFO-MICRO2
+ UFO-MICRO-BRACKET

DIMMING SWITCH ALLOWS FOR 10W INCREASES



CODE: GLOW-DIM

AT A GLANCE



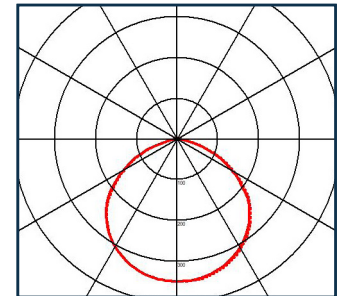
ADDITIONAL INFORMATION

- Dimmable [1-10v as standard, DALI from factory]



GLOWCLEAN HIGH BAY

Specification	Glowclean 50W	Glowclean 80W	Glowclean 100W	Glowclean 120W
System Power	50W	80W	100W	120W
LED Chipset	Samsung	Samsung	Samsung	Samsung
Driver Manufacturer	Lifud	Lifud	Lifud	Lifud
Colour Rendering Index [CRI]	>80	>80	>80	>80
Lumen Output	7500Lm	12000Lm	15000Lm	18000Lm
LED Efficacy	150Lm/cW	150Lm/cW	150Lm/cW	150Lm/cW
Dimmable	1-10V	1-10V	1-10V	1-10V
Power Factor	>0.9	>0.9	>0.9	>0.9
IP Rating	IP69K	IP69K	IP69K	IP69K
Beam Spread	120°	120°	120°	120°
Colour Temperature	4000K	4000K	4000K	4000K
Housing Material	Aluminium	Aluminium	Aluminium	Aluminium
Diffuser Material	Polycarbonate	Polycarbonate	Polycarbonate	Polycarbonate
Operating Temperature	-30 to +50 °C	-30 to +50 °C	-30 to +50 °C	-30 to +50 °C
IK Rating	IK10	IK10	IK10	IK10
Input Voltage	AC 100-240V	AC 100-240V	AC 100-240V	AC 100-240V
Weight	5kg	5kg	5kg	5kg
Dimensions	Ø420mm x 150mm	Ø420mm x 150mm	Ø420mm x 150mm	Ø420mm x 150mm
ECA Scheme Compliant	Yes	Yes	Yes	Yes



BEAM DISTRIBUTION

CODES:

GLOWCLEAN-50NW (50W)
 GLOWCLEAN-80NW (80W)
 GLOWCLEAN-100NW (100W)
 GLOWCLEAN-120NW (120W)



DIMMING OPTIONS

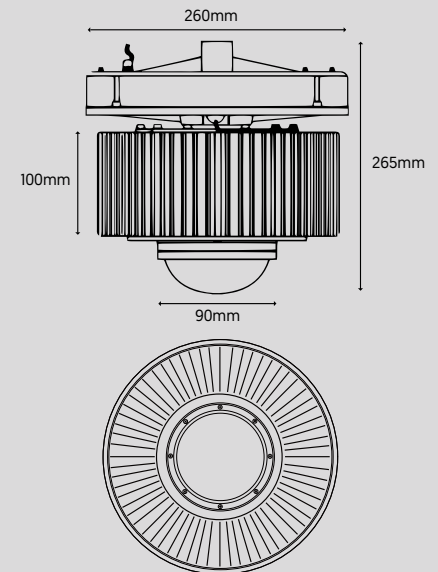
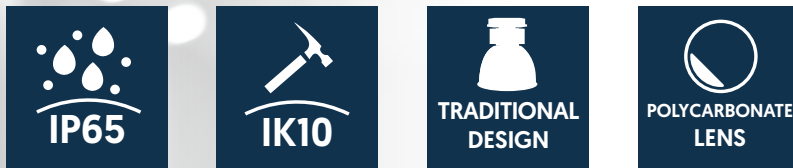


GLOWBRITE TRADITIONAL HIGH BAY

EXPLODED DRAWING OF GLOWBRITE HIGHBAY



AT A GLANCE



ADDITIONAL INFORMATION

- Dimmable (1-10v, DALI) options available
- Emergency (from factory)
- 80° or 120° degree aluminium reflector
- 80° polycarbonate reeded diffuser with matching cone bowl cover

80° REFLECTOR



120° REFLECTOR



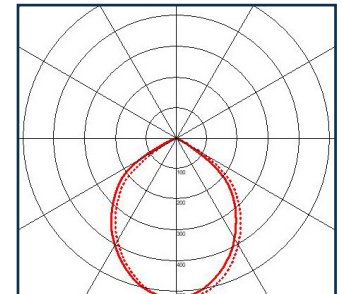
80° POLYCARBONATE REEDED DIFFUSER



LEDs inside Driver as standard

GLOWBRITE HIGH BAY

Specification	Glowbrite
System Power	150W
LED Chipset	Cree XML
Driver Manufacturer	Mean Well
Colour Rendering Index (CRI)	>80
Lumen Output	16950Lm
LED Efficacy	113Lm/cW
Dimmable	Contact Office
Power Factor	0.95
IP Rating	IP65
Beam Spread	80° or 120°
Colour Temperature	3000K / 4000K / 6000K
Housing Material	Aluminium
Diffuser / Reflector Type	Polycarbonate or Aluminium
Operating Temperature	-20 to +65 °C
Weight	6kg
Input Voltage	AC 200-240V 47-63HZ
Dimensions	Ø260mm x 265mm
ECA Scheme Compliant	Yes



BEAM DISTRIBUTION

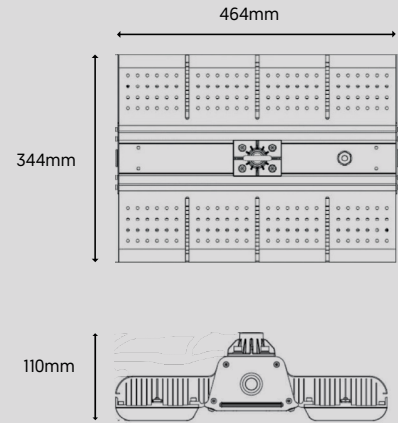
CODES:
 GLOWBRITE2-150WW (3000K)
 GLOWBRITE2-150NW (4000K)
 GLOWBRITE2-150CW (6000K)



DIMMING OPTIONS



AT A GLANCE



ADDITIONAL INFORMATION

- Microwave sensor & dimmable [1-10v/DALI] options available
- Surface adjustable bracket as standard [45° tilt for asymmetric optic]
- **Integral emergency available**
- Aluminium grey finish and additional wattages available from factory

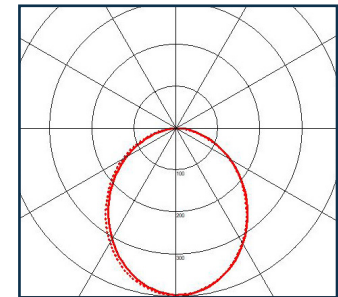


LEDs inside

Driver as standard

BAYLITE SPORT LOW BAY

Specification	Baylite
System Power	150W
LED Chipset	Nichia
Driver Manufacturer	Mean Well
Colour Rendering Index (CRI)	>85
Lumen Output	18600Lm
LED Efficacy	124Lm/cW
Dimmable	Contact Office
IK Rating	IK10
Power Factor	>0.9
IP Rating	IP65
Beam Spread	90°
Colour Temperature	4000K (3000K & 6000K available on lead time)
Housing Material	Aluminium
Diffuser Type	Polycarbonate
Operating Temperature	-30 to +55 °C
Input Voltage	200-240VAC
Weight	8.68kg
Dimensions	464mm x 344mm x 110mm
ECA Scheme Compliant	Yes



BEAM DISTRIBUTION

CODE:

BAY-W-150NW

ADD /EM FOR EMERGENCY

ADD /MS FOR MICROWAVE SENSOR



DIMMING OPTIONS



AT A GLANCE



ADDITIONAL INFORMATION

- Dimmable [1-10v as standard, DALI from factory]
- Integral emergency available
- Microwave sensor with lux sensitivity option
- 4000K from stock [6000K limited availability]



LEDs inside

Driver as standard

GLOWBAY LINEAR LOW BAY

Specification	Glowbay 100W	Glowbay 150W	Glowbay 200W
System Power	100W	150W	200W
LED Chipset	Samsung	Samsung	Samsung
Driver Manufacturer	Sosen	Sosen	Sosen
Colour Rendering Index (CRI)	>80	>80	>80
Lumen Output	14000Lm	21000Lm	28000Lm
LED Efficacy	140Lm/cW	140Lm/cW	140Lm/cW
Dimmable	1-10V	1-10V	1-10V
Power Factor	>0.95	>0.95	>0.95
IP Rating	IP65	IP65	IP65
Beam Spread	125°	125°	125°
Colour Temperature	4000K/6000K	4000K/6000K	4000K/6000K
Lens Material	Frosted Polycarbonate	Frosted Polycarbonate	Frosted Polycarbonate
Housing Material	Aluminium	Aluminium	Aluminium
Operating Temperature	-40 to +45 °C	-40 to +45 °C	-40 to +45 °C
Mounting	Hook + Stainless Rope	Hook + Stainless Rope	Hook + Stainless Rope
Input Voltage	AC 100-240V	AC 100-240V	AC 100-240V
Weight	8.6kg	9kg	9.6kg
Dimensions	924mm x 426mm x 113.6mm	924mm x 426mm x 113.6mm	924mm x 426mm x 113.6mm
ECA Scheme Compliant	Yes	Yes	Yes

CODES:

GLOWBAY-100YY (100W)
GLOWBAY-150YY (150W)
GLOWBAY-200YY (200W)

ADD /EM FOR EMERGENCY

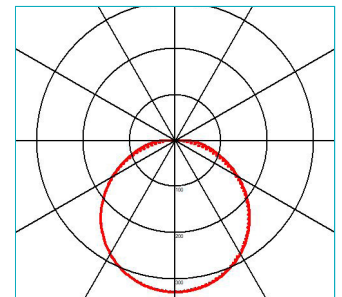
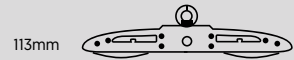
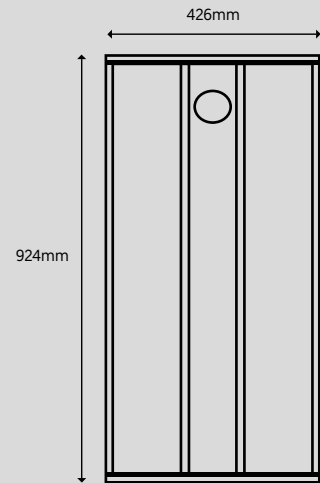
ADD /MS FOR MICROWAVE SENSOR



DIMMING OPTIONS



Key: YY = Kelvin [NW for 4000k & CW for 6000k]



BEAM DISTRIBUTION

AT A GLANCE



ADDITIONAL INFORMATION

- 4000K / 6000K
- Integral emergency available
- Dimmable (1-10v, Phase Cut, Corridor, DALI, Switch Dim, DSI, IOT)
- Microwave sensor version available - external/pre-wired to end of luminaire



NCF ROBUST VAPOUR PROOF

Specification	NCF 1200mm	NCF 1500mm
System Power	35W	55W
LED Chipset	Samsung	Samsung
Driver Manufacturer	Tridonic	Tridonic
Colour Rendering Index [CRI]	>85	>85
Lumen Output	4200Lm	6600Lm
LED Efficacy	120Lm/cW	120Lm/cW
Dimmable	Contact Office	Contact Office
Power Factor	0.958	0.943
IP Rating	IP65	IP65
Beam Spread	120°	120°
Colour Temperature	4000K / 6000K	4000K / 6000K
Housing Material	Polycarbonate	Polycarbonate
Diffuser Type	Polycarbonate	Polycarbonate
Operating Temperature	-20 to +65 °C	-20 to +65 °C
Input Voltage	AC200-240V 47-63HZ	AC200-240V 47-63HZ
Weight	2.05kg	3kg
Dimensions	1260mm x 110mm x 73mm	1550mm x 110mm x 73mm
ECA Scheme Compliant	Yes	Yes

CODES:

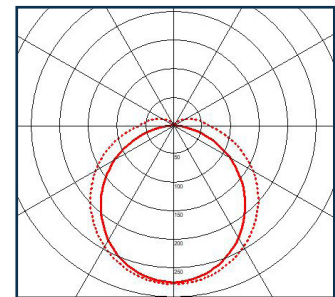
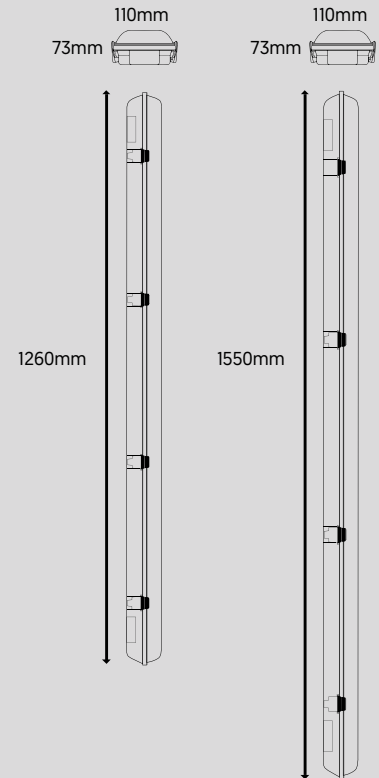
NCF2-35-1200NW (35W, 4000K)
NCF2-35-1200CW (35W, 6000K)
NCF2-55-1500NW (55W, 4000K)
NCF2-55-1500CW (55W, 6000K)



DIMMING OPTIONS



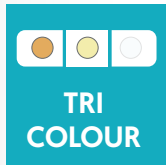
35W 55W



BEAM DISTRIBUTION

ADD /EM FOR EMERGENCY
ADD /MS FOR MICROWAVE SENSOR

AT A GLANCE



ADDITIONAL INFORMATION

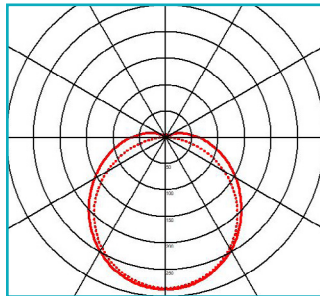
- Dimmable (1-10v, Phase Cut, Corridor, DALI, Switch Dim, DSI, IOT)
- Microwave sensor version available - internal/pre-wired in gear tray
- Wattage selectable on driver - covers single/twin and additional outputs
- Integral emergency available

EPISTAR

LEDs inside

OSRAM

Driver as standard



BEAM DISTRIBUTION

AQUAPACK VAPOUR PROOF

Specification	AquaPack 600mm	AquaPack 1200mm	AquaPack 1500mm	AquaPack 1800mm
System Power	12W/14W/17W/20W	25W/30W/35W/40W	35W/40W/50W/60W	45W/50W/65W/75W
LED Chipset	Epistar	Epistar	Epistar	Epistar
Driver Manufacturer	Osram	Osram	Osram	Osram
Colour Rendering Index (CRI)	>80	>80	>80	>80
Lumen Output	1500Lm/1750Lm/2125Lm/2500Lm	3125Lm/3750Lm/4375Lm/5000Lm	4375Lm/5000Lm/6250Lm/7500Lm	5625Lm/6250Lm/8125Lm/9375Lm
LED Efficacy	125Lm/cW	125Lm/cW	125Lm/cW	125Lm/cW
Power Factor	0.92	0.92	0.92	0.92
IP Rating	IP66	IP66	IP66	IP66
IK Rating	IK08	IK08	IK08	IK08
Beam Angle	120°	120°	120°	120°
Housing Material	ABS plastic	ABS plastic	ABS plastic	ABS plastic
Diffuser Type	Polycarbonate Opal	Polycarbonate Opal	Polycarbonate Opal	Polycarbonate Opal
Weight	0.77kg	1.26kg	1.55kg	3kg
Colour Temperature	3000K/4000K/5000K	3000K/4000K/5000K	3000K/4000K/5000K	3000K/4000K/5000K
Operating Temperature	-20 to +40 °C	-20 to +40 °C	-20 to +40 °C	-20 to +40 °C
Input Voltage	AC 200-240V 50/60 Hz	AC 200-240V 50/60 Hz	AC 200-240V 50/60 Hz	AC 200-240V 50/60 Hz
Dimensions	590mm x 95mm x 75mm	1190mm x 95mm x 75mm	1490mm x 95mm x 75mm	1800mm x 125mm x 92mm
ECA Scheme Compliant	Yes	Yes	Yes	Yes

CODES:

- AQUA-WS-600TC (590mm)
- AQUA-WS-1200TC (1190mm)
- AQUA-WS-1500TC (1490mm)
- AQUA-WS-1800TC (1800mm)

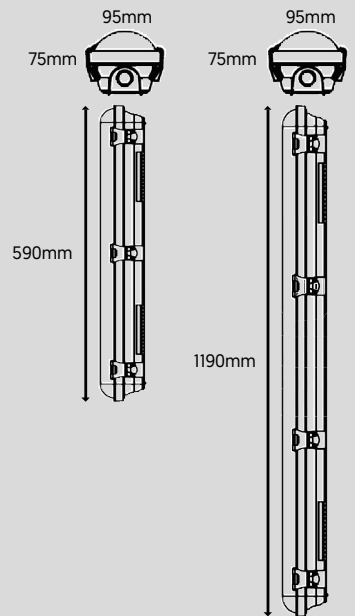
**ADD /EM FOR EMERGENCY
ADD /MS FOR MICROWAVE SENSOR**

DIMMING OPTIONS



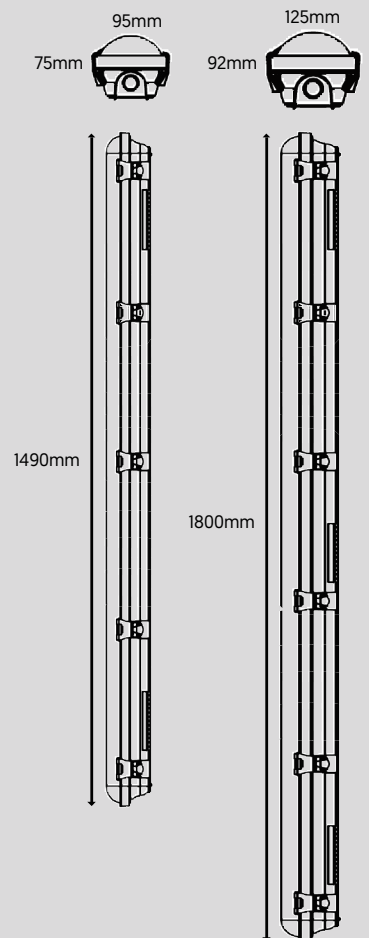
12-20W

25-40W



35-60W

45-75W



SURFACE & SUSPENDED



Proteus
Prismatic Linear



Page 35

Vex
Commercial Bulkhead



Page 38

Taurus
Tri-Colour Surface Bulkhead



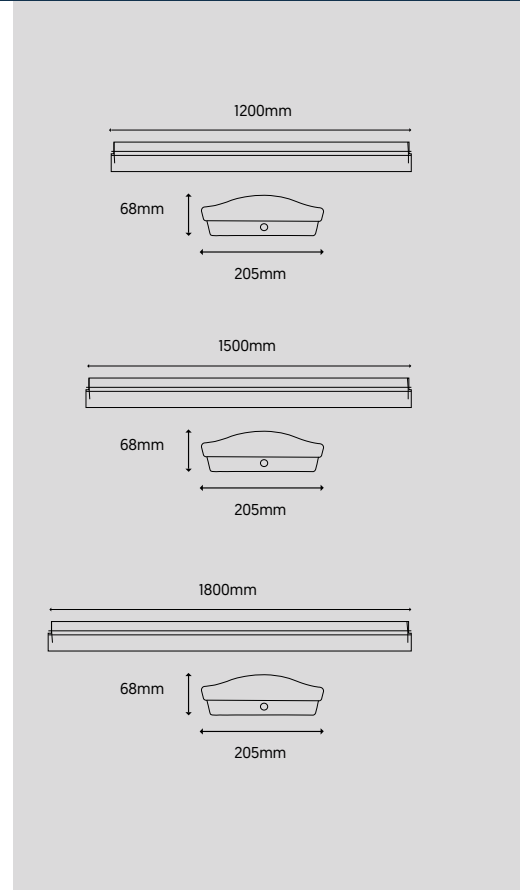
Page 39

QVIS have continued to manufacture a comprehensive range of luminaires tailored towards the Education sector. With compliance and ease of install in the forefront of product development, the PROTEUS linear series has received an upgrade, with UGR compliant prismatic diffuser optics and improved efficacies now reaching 135Lm/cW. With the introduction of 4ft and 6ft models to complete the range, the traditional 'College' type mould has remained a popular housing style. End caps have also been altered to allow for conduit side-entry for more flexible wiring options. For a more cost effective linear, the Q-LINE has also been upgraded to wattage switchable, enabling both single and twin outputs from one luminaire. Both linear models now also have BESA mounting for ease of install. Product highlights also include the VEX and TAURUS bulkheads; The VEX offering 3 sizes, 300mm, 360mm and 420mm with conduit side entry, IK10 impact resistance and IP66 for versatility. The Taurus offers the contractor an 'off the shelf' screwless, raised bulkhead for a rapid install, colour switchable from the gear tray and with chrome bezel as a decorative option. Both luminaires come as standard, or with emergency & microwave sensor options, supporting not just presence detection, but step dimming in 10% and 25% for corridor functionality.



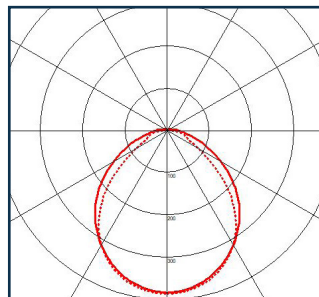
Scan QR For Direct Link To Download the FREE QLS Mobile App For Your Account & New Product Information, Product Demos & So Much More!

AT A GLANCE



ADDITIONAL INFORMATION

- Integral emergency available
- Dimmable [1-10v, Phase Cut, Corridor, DALI, Switch Dim, DSI, IOT]
- Microwave sensor option - External/pre wired to end of luminaire
- Suspended mounting as an option



BEAM DISTRIBUTION

PROTEUS LINEAR

UGR<17, complies with the latest BSEN-12464 glare requirements

Specification	Proteus MPS 1200mm 27W	Proteus MPS 1500mm 27W	Proteus MPS 1500mm 38W	Proteus MPS 1500mm 57W	Proteus MPS 1800mm 57W
System Power	27W	27W	38W	57W	57W
LED Chipset	Samsung	Samsung	Samsung	Samsung	Samsung
Driver Manufacturer	Tridonic Flicker-Free	Tridonic Flicker-Free	Tridonic Flicker-Free	Tridonic Flicker-Free	Tridonic Flicker-Free
Colour Rendering Index [CRI]	>85	>85	>85	>85	>85
Typical UGR	<17	<17	<17	<17	<17
Lumen Output	3645Lm	3645Lm	5130Lm	7695Lm	7695Lm
LED Efficacy	135Lm/cW	135Lm/cW	135Lm/cW	135Lm/cW	135Lm/cW
Dimmable	Contact Office	Contact Office	Contact Office	Contact Office	Contact Office
Fire Rating	TP[a]	TP[a]	TP[a]	TP[a]	TP[a]
Power Factor	0.9821	0.9821	0.996	0.996	0.996
IP Rating	IP40	IP40	IP40	IP40	IP40
Housing Material	Steel	Steel	Steel	Steel	Steel
Diffuser Type	Polycarbonate Prismatic Diffuser	Polycarbonate Prismatic Diffuser	Polycarbonate Prismatic Diffuser	Polycarbonate Prismatic Diffuser	Polycarbonate Prismatic Diffuser
Weight	3.2kg	4kg	4kg	4kg	4.8kg
Colour Temperature	4000K	4000K	4000K	4000K	4000K
Operating Temperature	-20 to +65 °C	-20 to +65 °C	-20 to +65 °C	-20 to +65 °C	-20 to +65 °C
Input Voltage	AC 220-240V	AC 220-240V	AC 220-240V	AC 220-240V	AC 220-240V
Dimensions	1200mm x 205mm x68mm	1500mm x 205mm x68mm	1500mm x 205mm x68mm	1500mm x 205mm x68mm	1800mm x 205mm x68mm
ECA Scheme Compliant	Yes	Yes	Yes	Yes	Yes

CODES:

- PTS-27-1200NW/MPS [27W, 1200MM]
- PTS-27-1500NW/MPS [27W, 1500MM]
- PTS-38-1500NW/MPS [38W, 1500MM]
- PTS-57-1500NW/MPS [57W, 1500MM]
- PTS-57-1800NW/MPS [57W, 1800MM]

ADD /EM FOR EMERGENCY
ADD /MS FOR MICROWAVE SENSOR



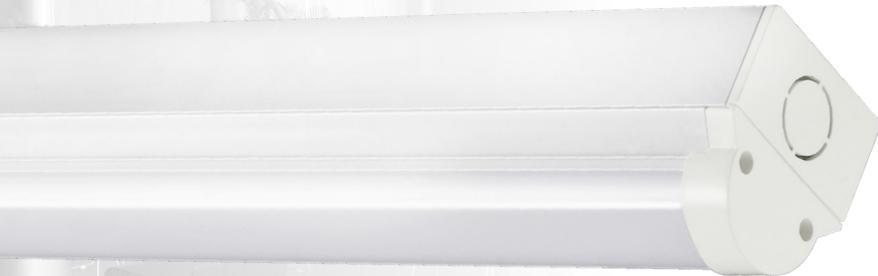
DIMMING OPTIONS



Call Us On: +44 (0) 2393 870 050 Email: sales@qvislighting.com Visit our website: www.qvisled.com

Information is subject to change without notice.

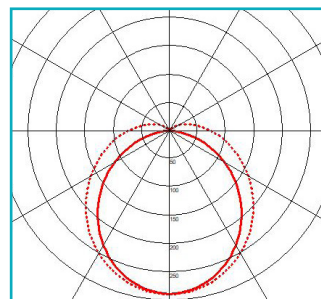
AT A GLANCE



ADDITIONAL INFORMATION

- Integral emergency available
- Dimmable (1-10v, Phase Cut, Corridor, DALI, Switch Dim, DSI, IOT)
- Infrared PIR motion sensor available

[code below spec table]



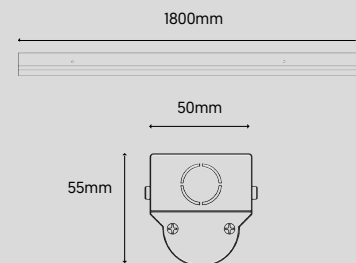
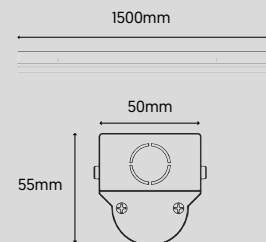
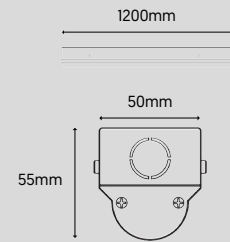
BEAM DISTRIBUTION

EPISTAR

BOKE

LEDs inside

Selectable-Power Driver



QLINE WATTAGE SWITCHABLE BATTEN

Specification	QLine 1200MM Wattage Switchable	QLine 1500MM Wattage Switchable	QLine 1800MM Wattage Switchable
System Power	23W/25W/27W/32W	23W/25W/27W/32W	44W/46W/48W/50W
Wattage Type	Selectable	Selectable	Selectable
LED Chipset	Epistar	Epistar	Epistar
Driver Manufacturer	Boke	Boke	Boke
Colour Rendering Index [CRI]	>85	>85	>85
Lumen Output	2760Lm/3000Lm/3240Lm/3840Lm	2760Lm/3000Lm/3240Lm/3840Lm	5280Lm/5520Lm/5760Lm/6000Lm
LED Efficacy	120Lm/cW	120Lm/cW	120Lm/cW
Dimmable	Contact Office	Contact Office	Contact Office
Power Factor	0.9	0.9	0.9
IP Rating	IP20	IP20	IP20
Housing Material	Aluminium	Aluminium	Aluminium
Diffuser Type	Polycarbonate	Polycarbonate	Polycarbonate
Weight	0.9kg	1.2kg	1.5kg
Colour Temperature	4000K	4000K	4000K
Operating Temperature	-20 to +65 °C	-20 to +65 °C	-20 to +65 °C
Input Voltage	AC 200-240V 47-63 Hz	AC 200-240V 47-63 Hz	AC 200-240V 47-63 Hz
Dimensions	1200mm x 50mm x 55mm	1500mm x 50mm x 55mm	1800mm x 50mm x 55mm
ECA Scheme Compliant	Yes	Yes	Yes

CODES:

QLINE-WS-1200NW (23-32W, 1200MM)
QLINE-WS-1500NW (23-32W, 1500MM)
QLINE-WS-1800NW (44-50W, 1800MM)
QPIR-BATTEN (BATTEN PIR SENSOR)

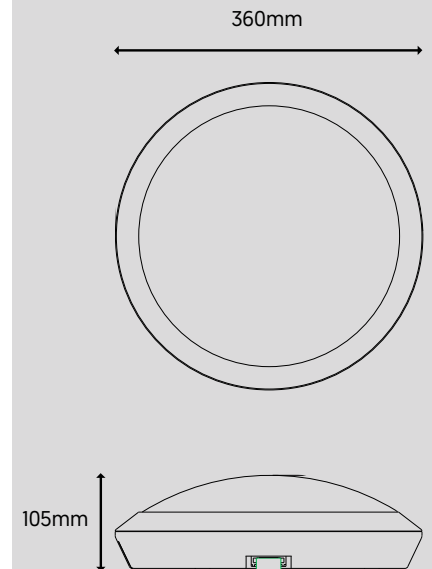
ADD /EM FOR EMERGENCY
ADD /PIR FOR PIR SENSOR



DIMMING OPTIONS



AT A GLANCE



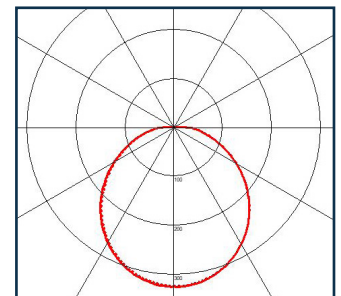
ADDITIONAL INFORMATION

- Integral emergency available
- Integral microwave sensor version
- Dimmable (1-10v, Phase Cut, Corridor, DALI, Switch Dim, DSI, IOT)

VEX TRI-COLOUR



Specification	Vex Tri-colour
System Power	20W
Non-Sensor Driver	Tridonic
Sensor Driver	Merrytek
LED Chipset	Samsung
Colour Rendering Index (CRI)	>80
Lumen Output	2100Lm
LED Efficacy	105Lm/cW
Dimmable	All options available
IK Rating	IK10
Power Factor	0.997
IP Rating	IP66
Fire Rating	TP(a)
Materials	Polycarbonate diffuser & housing
Beam Spread	120°
Colour Temperature (Switchable)	3000K, 4000K, 6000K
Weight	0.9kg
Operating Temperature	-20 to +30 °C
Dimensions	Ø360mm x 105mm
ECA Scheme Compliant	Yes



BEAM DISTRIBUTION

CODES:
VEX-20-360TC

ADD /EM FOR EMERGENCY
ADD /M FOR MICROWAVE



DIMMING OPTIONS

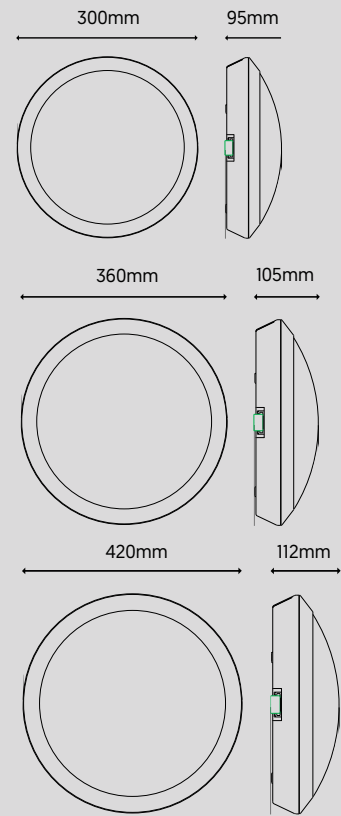


AT A GLANCE



ADDITIONAL INFORMATION

- Integral emergency available
- Integral microwave sensor version
- Dimmable (1-10v, Phase Cut, Corridor, DALI, Switch Dim, DSI, IOT)



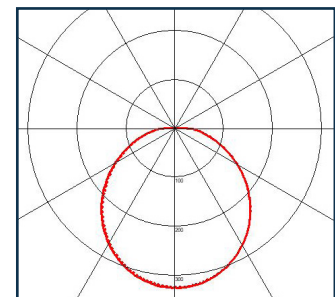
LEDs inside Driver as standard

VEX COMMERCIAL BULKHEAD

Specification	Vex Switchable	Vex	Vex
System Power	10W/15W	20W	25W
Non-Sensor Driver	Tridonic	Tridonic	Tridonic
Sensor Driver	Merrytek	Merrytek	Merrytek
LED Chipset	Samsung	Samsung	Samsung
Colour Rendering Index [CRI]	>80	>80	>80
Lumen Output	1050Lm/1575Lm	2100Lm	2700Lm
LED Efficacy	105Lm/cW	105Lm/cW	108Lm/cW
Dimmable	All options available	All options available	All options available
IK Rating	IK10	IK10	IK10
Power Factor	0.997	0.997	>0.9
IP Rating	IP66	IP66	IP66
Fire Rating	TP[a]	TP[a]	TP[a]
Materials	Polycarbonate diffuser & housing	Polycarbonate diffuser & housing	Polycarbonate diffuser & housing
Beam Spread	120°	120°	120°
Colour Temperature	4000K	4000K	4000K
Weight	0.6kg	0.9kg	1.6kg
Operating Temperature [°C]	-20°C to +30°C	-20°C to +30°C	-20°C to +40°C
Dimensions	Ø300mm x 95mm	Ø360mm x 105mm	Ø420mm x 112mm
ECA Scheme Compliant	Yes	Yes	Yes

CODES:
 VEX-10/15-300NW (10/15W)
 VEX-20-360NW (20W)
 VEX-25-420NW (25W)

ADD /EM FOR EMERGENCY
ADD /M FOR MICROWAVE

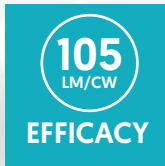


BEAM DISTRIBUTION

DIMMING OPTIONS



AT A GLANCE



CHROME BEZEL AVAILABLE

ADDITIONAL INFORMATION

- Integral emergency available
- Corridor microwave sensor option [0% - 10% - 25%]
- Dimmable [1-10v, Phase Cut, Corridor, DALI, Switch Dim, DSI, IOT]
- Chrome bezel available - white as standard

EPISTAR

LIFUD

LEDs inside

Driver as standard

TAURUS BULKHEAD

Specification	Taurus Tri-colour
System Power	16W
Driver Manufacturer	Lifud
LED Chipset	Epistar
Colour Rendering Index (CRI)	>80
Lumen Output	1680Lm
LED Efficacy	105Lm/cw
Dimmable	Contact Office
Power Factor	>0.9
IP Rating	IP65
Materials	Polycarbonate housing, polycarbonate diffuser
Beam Spread	120°
Colour Temperature (Switchable)	3000K, 4000K, 6000K
Weight	0.89kg
Operating Temperature	-20 to +40 °C
Dimensions	Ø325mm x 109mm
ECA Scheme Compliant	Yes

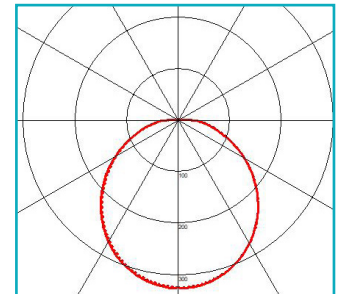
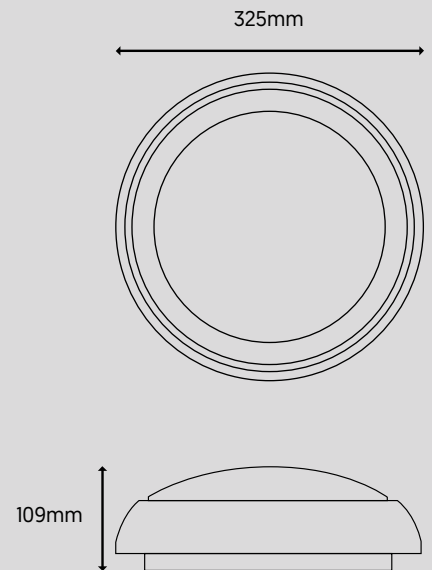
CODES:

TAU-16-325TC [16W, Tri-Colour]
TAU-CHROME [Chrome Bezel Option]

ADD /EM FOR EMERGENCY
ADD /M FOR MICROWAVE



DIMMING OPTIONS



BEAM DISTRIBUTION

AT A GLANCE



**MICROWAVE
OPTION**



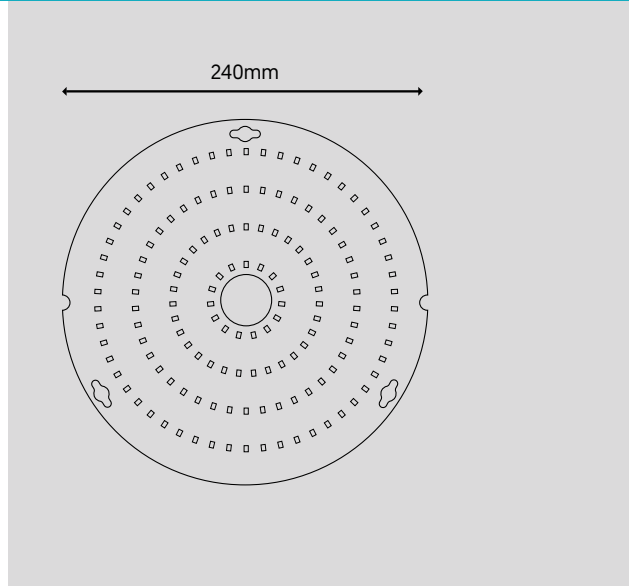
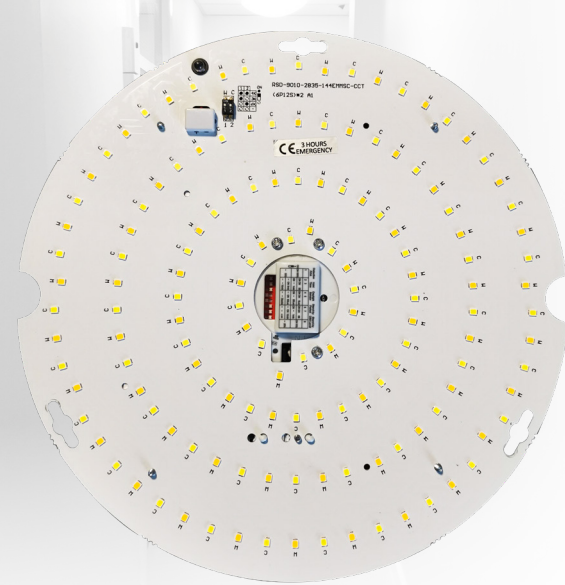
**FULL PCB
ARRAY**



**105
LM/CW
EFFICACY**

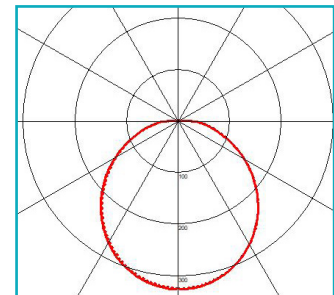


**TRI
COLOUR**



ADDITIONAL INFORMATION

- Emergency gear tray available
- Corridor microwave sensor option (0% - 10% - 25%)
- Dimmable options (1-10v, Phase Cut, Corridor, DALI, Switch Dim, DSI, IOT)



BEAM DISTRIBUTION

EPISTAR LEDs inside
Lifud Driver as standard

TAURUS BULKHEAD GEAR TRAY

Specification	Taurus Tri-colour
System Power	16W
Driver Manufacturer	Lifud
LED Chipset	Epistar
Colour Rendering Index (CRI)	>80
Lumen Output	1680Lm
LED Efficacy	105Lm/cW
Dimmable	Contact Office
Power Factor	>0.9
IP Rating	IP65
Colour Temperature (Switchable)	3000K, 4000K, 6000K
Operating Temperature	-20 to +40 °C
Diameter	Ø240mm
ECA Scheme Compliant	Yes

CODES:
TAU-GT-16-325TC

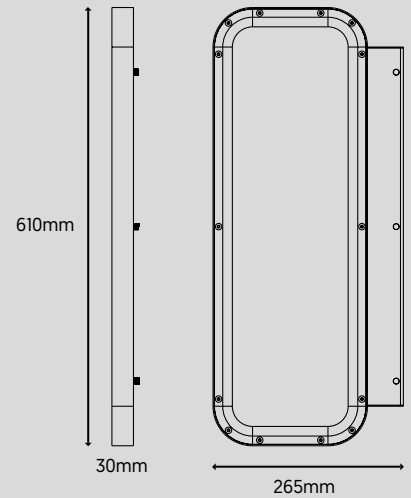
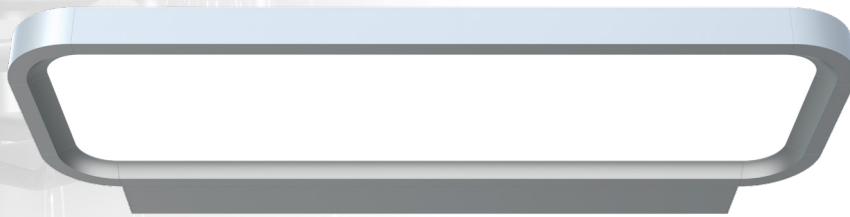
ADD /EM FOR EMERGENCY
ADD /M FOR MICROWAVE



DIMMING OPTIONS



AT A GLANCE



ADDITIONAL INFORMATION

- 1-10V & Dali dimmable versions from factory
- 4000K as standard, with 3000K & 6000K from factory



LEDs inside



Driver as standard

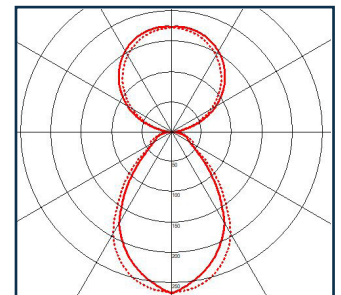
IKON WALL-MOUNTED DIRECT/INDIRECT

Specification	Ikon Wall
System Power	40W
LED Chipset	Edison
Driver Manufacturer	Boke
Colour Rendering Index [CRI]	>80
Lumen Output	1700Lm UP/ 1700Lm DOWN
LED Efficacy	85Lm/cW
Power Factor	0.9
IP Rating	IP20
Typical UGR	<19
Colour Temperature	4000K
Operating Temperature	-20 to +45 °C
Weight	4.05kg
Input Voltage	AC 100-270V
Dimensions	610mm x 265mm x 30mm

CODE:
IKON-W

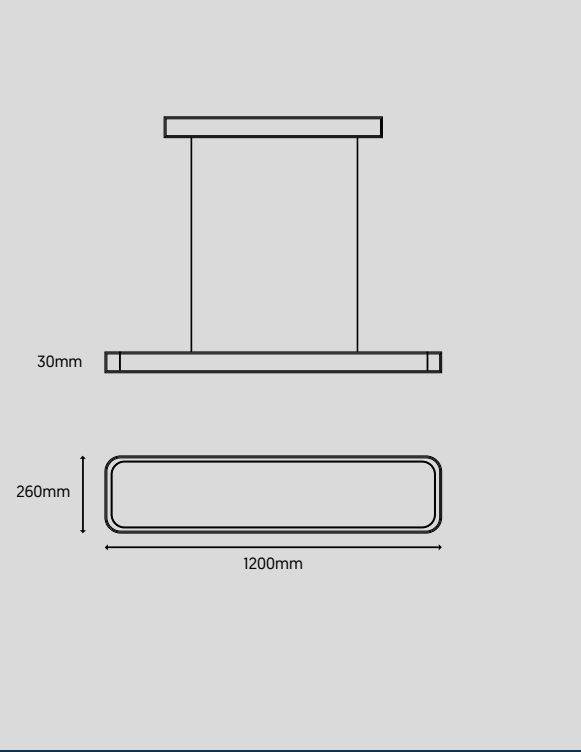


AVAILABLE ON
LEAD TIME ONLY



BEAM DISTRIBUTION

AT A GLANCE



ADDITIONAL INFORMATION

- 1-10V & Dali dimmable versions from factory
- 4000K as standard, with 3000K & 6000K from factory



LEDs inside



Driver as standard

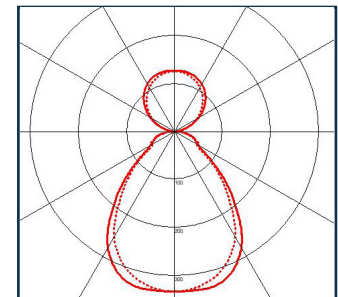
IKON SUSPENDED DIRECT/INDIRECT

Specification	Ikon Suspended
System Power	60W
LED Chipset	Edison
Driver Manufacturer	Boke
Colour Rendering Index (CRI)	>80
Lumen Output	2100lm UP/ 4200lm DOWN
LED Efficacy	105lm/cW
Power Factor	0.9
IP Rating	IP20
Typical UGR	<19
Colour Temperature	4000K
Operating Temperature	-20 to +45 °C
Weight	6.37kg
Input Voltage	AC 100-240V
Dimensions	1200mm x 260mm x 30mm
ECA Scheme Compliant	Yes

CODE:
IKON-S



AVAILABLE ON
LEAD TIME ONLY



BEAM DISTRIBUTION

AT A GLANCE



**ARCHITECTURAL
DESIGN**



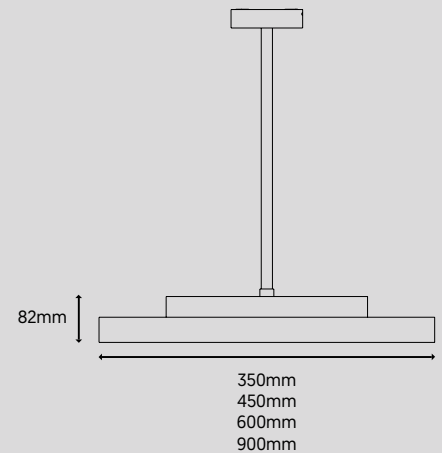
**UGR
COMPLIANT**



**DIRECT/
INDIRECT**



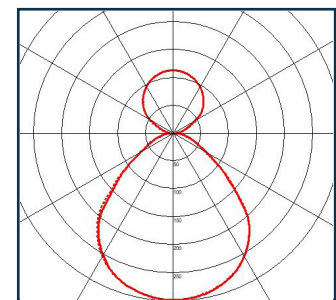
**100,000 HOUR
LIFETIME**



**AVAILABLE ON
LEAD TIME ONLY**

ADDITIONAL INFORMATION

- 1-10V & Dali dimmable versions from factory
- 4000K as standard, with 3000K & 6000K from factory



BEAM DISTRIBUTION

IKON CIRCULAR DIRECT/INDIRECT

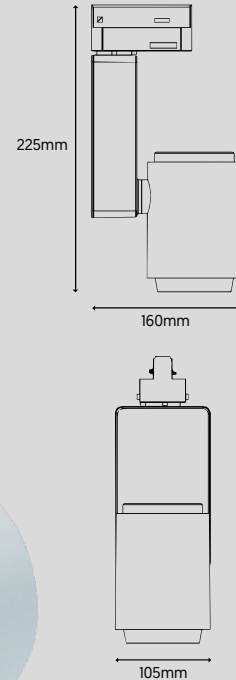
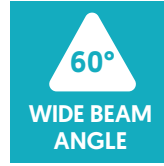
Specification	Ikon Circular 350mm	Ikon Circular 450mm	Ikon Circular 600mm	Ikon Circular 900mm
System Power	18W	30W	48W	80W
LED Chipset	Edison	Edison	Edison	Edison
Driver Manufacturer	Boke	Boke	Boke	Boke
Colour Rendering Index [CRI]	>80	>80	>80	>80
Lumen Output	550Lm UP/ 1430Lm DOWN	990Lm UP/ 2310Lm DOWN	1540Lm UP/ 3740Lm DOWN	2750Lm UP/ 6050Lm DOWN
LED Efficacy	110Lm/cW	110Lm/cW	110Lm/cW	110Lm/cW
Power Factor	0.9	0.9	0.9	0.9
IP Rating	IP20	IP20	IP20	IP20
Typical UGR	<19	<19	<19	<19
Colour Temperature	4000K	4000K	4000K	4000K
Operating Temperature	-20 to +45 °C	-20 to +45 °C	-20 to +45 °C	-20 to +45 °C
Weight	3.06kg	4.15kg	7.29kg	12.85kg
Input Voltage	AC 200-240V	AC 200-240V	AC 200-240V	AC 200-240V
Dimensions	Ø350mm x 82mm	Ø450mm x 82mm	Ø600mm x 82mm	Ø900mm x 82mm
ECA Scheme Compliant	Yes	Yes	Yes	Yes

CODES:

IKON-PR-350NW [350mm] IKON-PR-600NW [600mm]
IKON-PR-450NW [450mm] IKON-PR-900NW [900mm]



AT A GLANCE



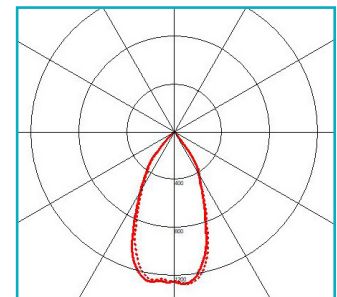
ADDITIONAL INFORMATION

- Dimmable (1-10v, Phase Cut, Corridor, DALI, Switch Dim, DSI, IOT)
- 3000K and 6000K from factory
- Different housing designs from factory;

CITIZEN LEDs inside
Q-DRIVE Driver as standard

TRACK LIGHT

Specification	Accent
System Power	30W
LED Chipset	Citizen
Driver Manufacturer	Q-Drive
Colour Rendering Index (CRI)	>90
Typical UGR	<22
Lumen Output	3240Lm
LED Efficacy	108Lm/cW
Power Factor	0.96
Beam Spread	60°
Rotation	355° horizontal / 180° vertical
Colour Temperature	4000K
Housing Material	Aluminium
Diffuser Type	Polycarbonate
Operating Temperature	-20 to +50 °C
Reflector Type	Faceted
Weight	1.38kg
Dimensions	225mm x 160mm
ECA Scheme Compliant	Yes



BEAM DISTRIBUTION

CODE:
ACC-30-WIDE-NW

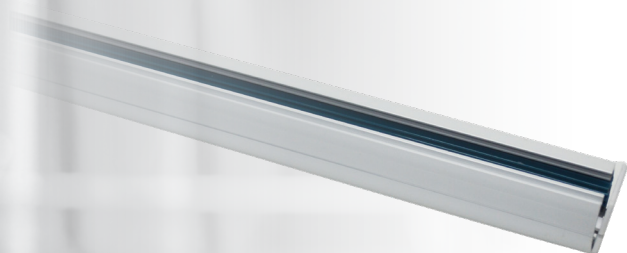


DIMMING OPTIONS



ACCENT ACCESSORIES

TRACK
3-PHASE 230V TRACK - 1M OR 1.5M



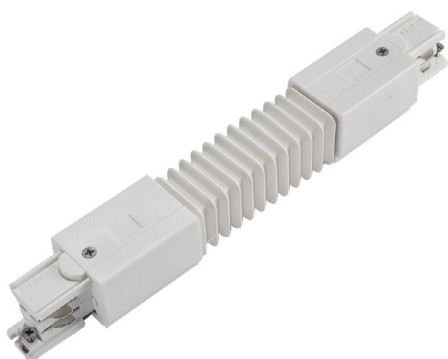
1M CODE: ACC-TRK-WHITE-1
1.5M CODE: ACC-TRK-WHITE-1.5

TRACK SUSPENSION KIT
CEILING SUSPENSION CABLE KIT



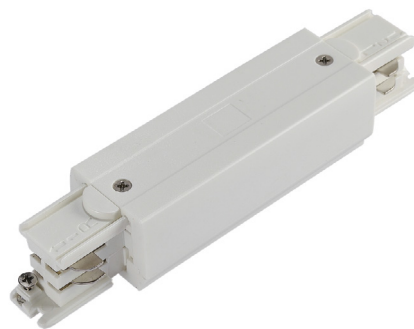
CODE: ACC-SKIT

FLEX CONNECTOR
FLEXIBLE 2-WAY 3-PHASE CONNECTOR



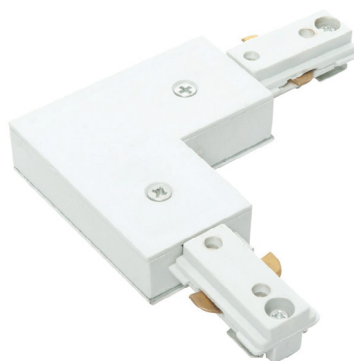
CODE: ACC-FLEX-CON

I-SHAPE CONNECTOR
2-WAY 3-PHASE CONNECTOR



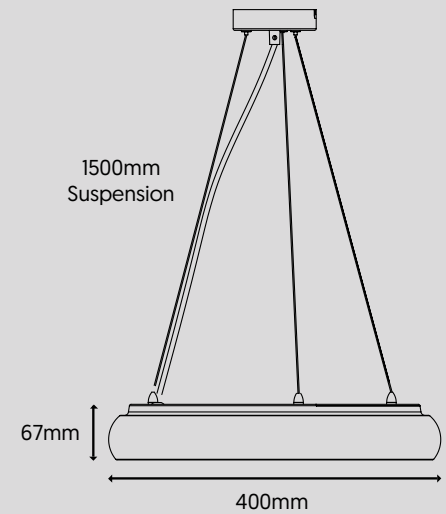
CODE: ACC-I-CON

L-SHAPE CONNECTOR
90-DEGREE 3-PHASE CONNECTOR



CODE: ACC-L-CON

AT A GLANCE



ADDITIONAL INFORMATION

- RAL colour options on lead time
- 3-wire suspended as standard
- Triac dimming option
- 300mm, 25w and surface mounted versions available from factory

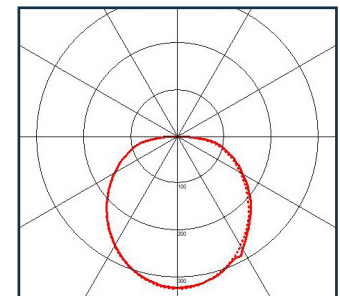
EPISTAR Q-DRIVE

LEDs inside Driver as standard

POLO DECORATIVE PENDANT

Specification	Polo
System Power	35W
LED Chipset	Epistar
Driver Manufacturer	Q-Drive
Colour Rendering Index [CRI]	>80
Lumen Output	3290Lm
LED Efficacy	94Lm/cW
Power Factor	0.9
IP Rating	IP40
Beam Spread	120°
Colour Temperature	4000K
Operating Temperature	-20 to +45 °C
Weight	1.55kg
Input Voltage	AC 220-240V
Dimensions	Ø400 x 67mm

CODES:
POLO-35-400-SNW

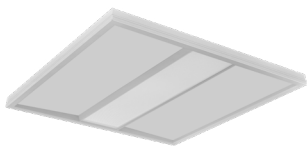


BEAM DISTRIBUTION

MODULAR & RECESSED



Serene
Premium Panels



Page 49

Clarus Evo
Customisable Downlights



Page 71

Scorch Tilt
Adjustable Fire-Rated



Page 75

QVIS have expanded on an already successful range of luminaires in modular and downlight categories. Long establishing a range of premium edge-lit panels, the SERENE now offers a more architectural, high-end offering to the range, with a central microprismatic optic and polycarbonate foil wings, making up a three piece Tp(a) rated, UGR compliant diffuser and a far more aesthetically pleasing luminaire than the standard plain diffuser style the market has largely been accustomed to. The popular HELIOS slim TP(a), IP65 downlight has been complimented with a prismatic low glare offering, suitable now for office spaces and hospital rooms.

The CLARUS EVO brings a more versatile downlight, with matte, white, black and faceted interchangeable reflectors and additional polo and full circle drop glass attachments for the hospitality sector. For the domestic market, the SCORCH fire rated downlight has also been joined by an adjustable 'tilt' version, further supporting a price sensitive market for stockist and domestic installers, with added versatility.



Scan QR For Direct Link To Download the FREE QLS Mobile App For Your Account & New Product Information, Product Demos & So Much More!

MODULAR PANELS AT A GLANCE

EVERYTHING YOU NEED TO KNOW

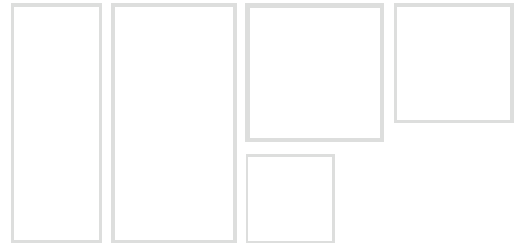
Qvis stocks the following sizes for next day delivery (subject to availability):

EDGE-LIT

-300 x 300mm
-500 x 500mm
-600 x 600mm
-1200 x 300mm
-1200 x 600mm

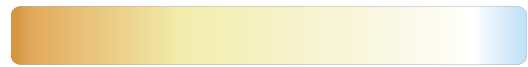
BACK-LIT

-600 x 600mm
-1200 x 300mm
-1200 x 600mm



Custom sizes are available on request with quick lead times available

Available with single or DC selectable colour temperatures:



Single: 3000K [Warm White], 4000K [Neutral White] & 6000K [Cool White]

Tri-Colour: 3 in 1 (3000K/4000K/6000K) & Colour Tuneable (2700K - 6500K)

Available with TP(a) or TP(b) fire rated diffuser options



Available with IP44 or IP65 rated 'from below' in stock. Full IP65 from factory



All RAL frame colours are available on lead time, RAL 9016 as standard from stock



All major ceiling manufacturers are covered and we also offer bespoke options too



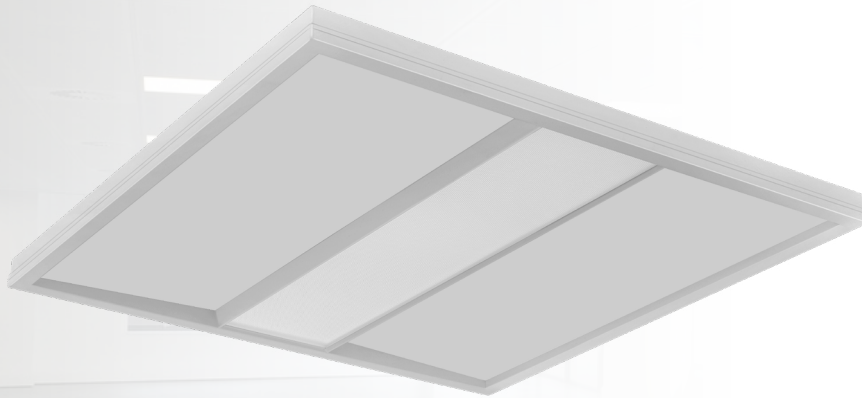
Dimmable functionality available (1-10v, Switch-Dim, Phase/Triac, Corridor, DSI & Dali 2.0)



IOT functionality available (Inbuilt sensors, bluetooth control, metering & grouping)



AT A GLANCE



ADDITIONAL INFORMATION

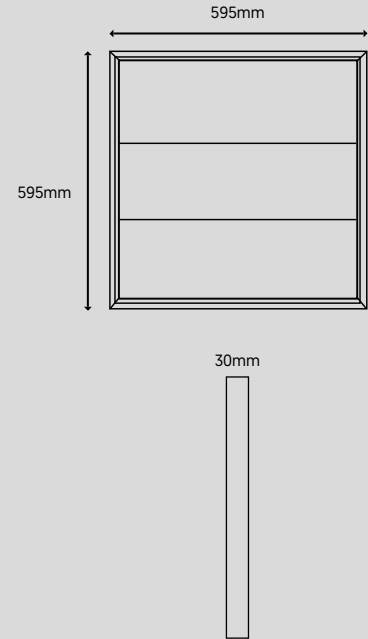
- Dimmable [1-10v, Phase Cut, Corridor, DALI, Switch Dim, DSI, IOT]
- Remote emergency available



LEDs inside



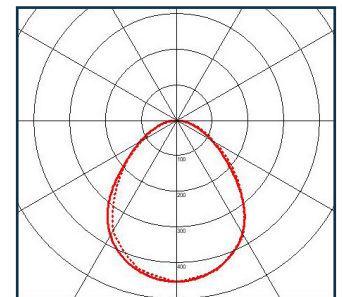
Driver as standard



SERENE PANEL

UGR<19, complies with the latest BSEN-12464 glare requirements

Specification	Serene
System Power	35W
LED Chipset	Samsung
Driver Manufacturer	Tridonic
Diffuser	Microprism
Colour Rendering Index [CRI]	>85
Typical UGR	<19
LED Efficacy	105Lm/cW
Fire Rating	TP(a)
Lumen Output	3675Lm
Power Factor	>0.9
IP Rating	IP44 from below
Beam Spread	90°
Colour Temperature	4000K
Operating Temperature	-20 to +40 °C
Input Voltage	AC 220-240V
Weight	2.8kg
Dimensions	595mm x 595mm x 30mm
ECA Scheme Compliant	Yes



BEAM DISTRIBUTION

CODE:
SER-35-6X6NW

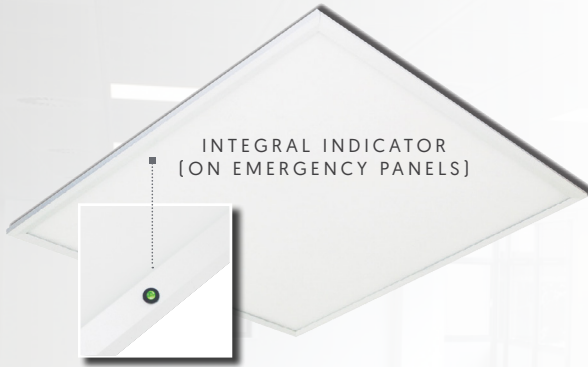
ADD /EM FOR EMERGENCY



DIMMING OPTIONS



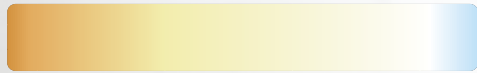
AT A GLANCE



INTEGRAL INDICATOR
[ON EMERGENCY PANELS]

2700K

6500K



TUNEABLE WHITE
TECHNOLOGY

ADDITIONAL INFORMATION

- Integral emergency available (indicator in frame)
- Bluetooth BDW or DALI DT8 tuneable/dimmable driver option
- Bluetooth tuneable white remote option (description on page 11 - code below spec table)



LEDs inside Driver as standard

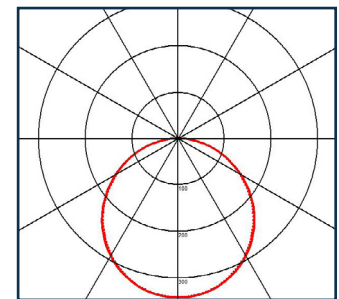
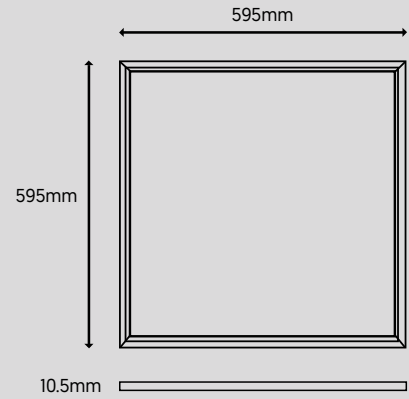
BOREAL PANEL

UGR<17, complies with the latest BSEN-12464 glare requirements

Specification	Boreal
System Power	38W
Lumen Output	4560Lm
LED Efficacy	120Lm/cW
Driver Manufacturer	Tridonic (DT8 or BDW)
LED Chipset	Samsung
Diffuser	Microprism
Colour Rendering Index (CRI)	>85
Typical UGR	<17
Power Factor	>0.9
IP Rating	IP44
Beam Spread	160°
Colour Temperature	2700K to 6500K
Operating Temperature	-20 to +50 °C
Input Voltage	AC 200-240V
Weight	2.6kg
Dimensions	595mm x 595mm x 10.5mm
ECA Scheme Compliant	Yes

CODE:
BOR-38-6X6TW
Q-DIM-USER-INT (Tuneable White Remote)

ADD /EM FOR EMERGENCY

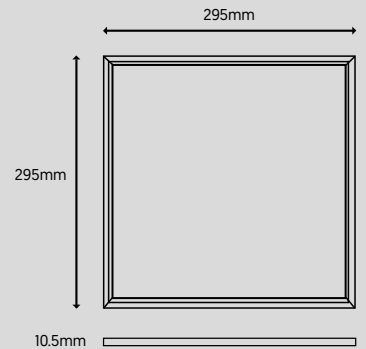


BEAM DISTRIBUTION

TUNEABLE WHITE
FIND OUT MORE
ON PAGE 11



AT A GLANCE



ADDITIONAL INFORMATION

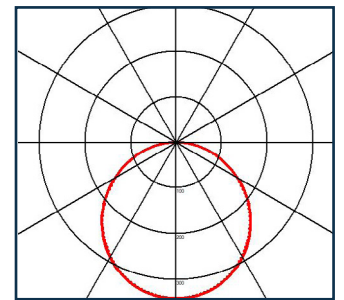
- Remote emergency available
- Dimmable (1-10v, Phase Cut, Corridor, DALI, Switch Dim, DSI, IOT)



ORION TRI-COLOUR PANEL

UGR<19, complies with the latest BSEN-12464 glare requirements

Specification	Orion Tri-Colour
Diffuser	Opal
System Power	15W
LED Chipset	Samsung
Driver Manufacturer	Tridonic
Colour Rendering Index [CRI]	>85
Typical UGR	<19
LED Efficacy	120Lm/cW
Lumen Output	1800Lm
Fire Rating	TP(a)
Power Factor	0.95
IP Rating	IP44
Beam Spread	160°
Colour Type	Tri-Colour
Colour Temperature	3000K/4000K/6000K
Operating Temperature	-20 to +65 °C
Input Voltage	AC 200-240V 47-63hz
Weight	1.36kg
Dimensions	295mm x 295mm x 10.5mm
ECA Scheme Compliant	Yes



BEAM DISTRIBUTION

CODES:

ORN-15-3X3TC

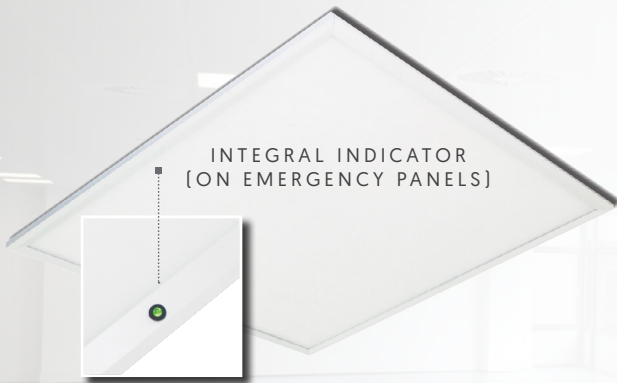
ADD /EM FOR EMERGENCY



DIMMING OPTIONS



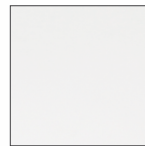
AT A GLANCE



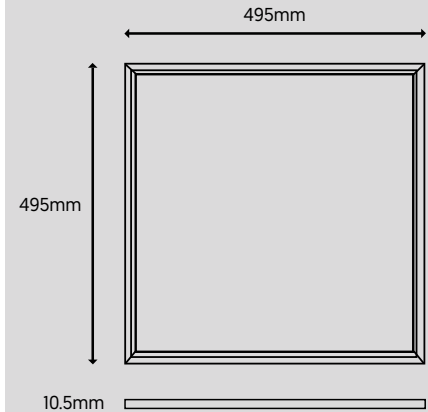
INTEGRAL INDICATOR
[ON EMERGENCY PANELS]



MICROPRISM



OPAL



ADDITIONAL INFORMATION

- Integral emergency (indicator in frame)
- Dimmable [1-10V, Phase Cut, Corridor, DALI, Switch Dim, DSI, IOT]



RECESSED MODULAR

UGR<19, complies with the latest BSEN-12464 glare requirements

Specification	Lynx Advance 5x5	Lynx SLG 5x5
Diffuser	Opal	Microprism
System Power	25W	25W
LED Chipset	Samsung	Samsung
Driver Manufacturer	Tridonic	Tridonic
Colour Rendering Index [CRI]	>85	>85
Typical UGR	<19	<17
LED Efficacy	135Lm/cW	120Lm/cW
Lumen Output	3375Lm	3000Lm
Fire Rating	TP(a)	TP(a)
Dimmable	On request	On request
Power Factor	0.95	0.95
IP Rating	IP44	IP44
Beam Spread	160°	160°
Colour Type	Single	Single
Colour Temperature	3000K/4000K/6000K	3000K/4000K/6000K
Housing Material	High Grade 6063 Aluminium Frame	High Grade 6063 Aluminium Frame
Light Guide Plate	PMMA	PMMA
Operating Temperature	-20 to +65 °C	-20 to +45 °C
Input Voltage	AC 200-240V 47-63hz	AC 200-240V 47-63hz
Weight	2.3kg	2.4kg
Dimensions	495mm x 495mm x 10.5mm	495mm x 495mm x 10.5mm
ECA Scheme Compliant	Yes	Yes

CODES:

LYNX-ADV-25-5X5YY [Opal]
LYNX-SLG-25-5X5YY [Microprism]

ADD /EM FOR EMERGENCY

Key: YY = Kelvin [WW for 3000k, NW for 4000k & CW for 6000k]

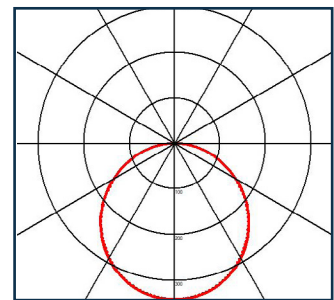
Note: TC = Tri-Colour [DC selectable – 3000k, 4000k & 6000k all in one]



DIMMING OPTIONS

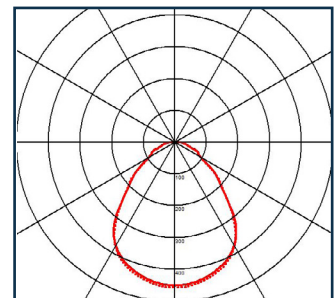


OPAL DIFFUSER



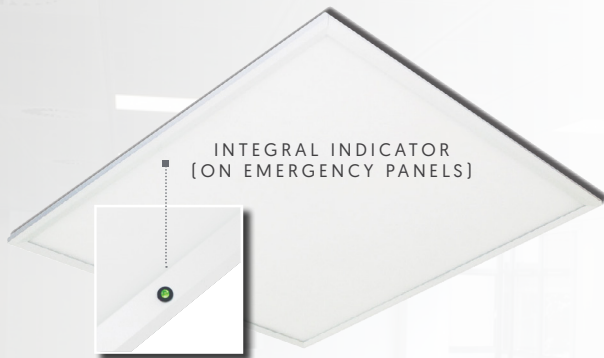
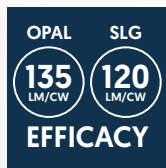
BEAM DISTRIBUTION

MPS DIFFUSER

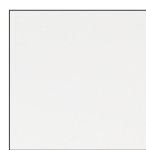


BEAM DISTRIBUTION

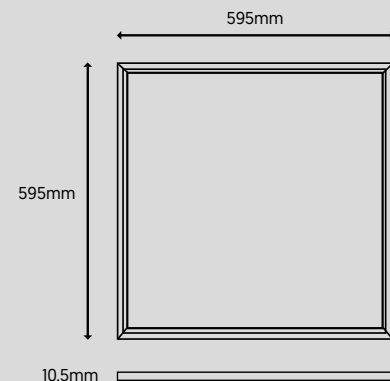
AT A GLANCE



MICROPRISM



OPAL



ADDITIONAL INFORMATION

- Integral emergency (indicator in frame)
- Dimmable [1-10v, Phase Cut, Corridor, DALI, Switch Dim, DSI, IOT]



LEDs inside



Driver as standard

RECESSED MODULAR

UGR<19, complies with the latest BSEN-12464 glare requirements

Specification	Lynx Advance 6x6	Lynx SLG 6x6
Diffuser	Opal	Microprism
System Power	20-40W [25W as standard]	20-40W [25W as standard]
LED Chipset	Samsung	Samsung
Driver Manufacturer	Tridonic	Tridonic
Colour Rendering Index (CRI)	>85	>85
Typical UGR	<19	<17
LED Efficacy	135Lm/cW	120Lm/cW
Lumen Output	2700-5400Lm [3375Lm as standard]	2400-4800Lm [3000Lm as standard]
Fire Rating	TP(a)	TP(a)
Dimmable	On request	On request
Power Factor	0.95	0.95
IP Rating	IP44	IP44
Beam Spread	160°	160°
Colour Type	Single	Single
Colour Temperature	3000K/4000K/6000K	3000K/4000K/6000K
Housing Material	High Grade 6063 Aluminium Frame	High Grade 6063 Aluminium Frame
Light Guide Plate	PMMA	PMMA
Operating Temperature	-20 to +65 °C	-20 to +45 °C
Input Voltage	AC 200-240V 47-63hz	AC 200-240V 47-63hz
Weight	2.5kg	2.6kg
Dimensions	595mm x 595mm x 10.5mm	595mm x 595mm x 10.5mm
ECA Scheme Compliant	Yes	Yes

CODES:

LYNX-ADV-25-6X6YY [Opal]
LYNX-SLG-25-6X6YY [Microprism]

ADD /EM FOR EMERGENCY

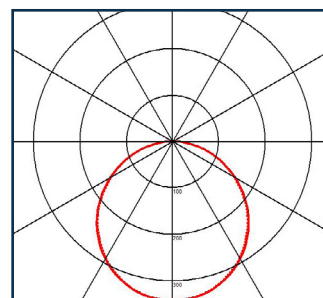
Key: YY = Kelvin [WW for 3000k, NW for 4000k & CW for 6000k]
Note: TC = Tri-Colour [DC selectable – 3000k, 4000k & 6000k all in one]



DIMMING OPTIONS

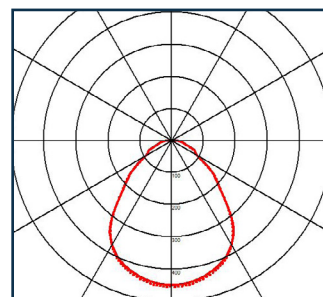


OPAL DIFFUSER



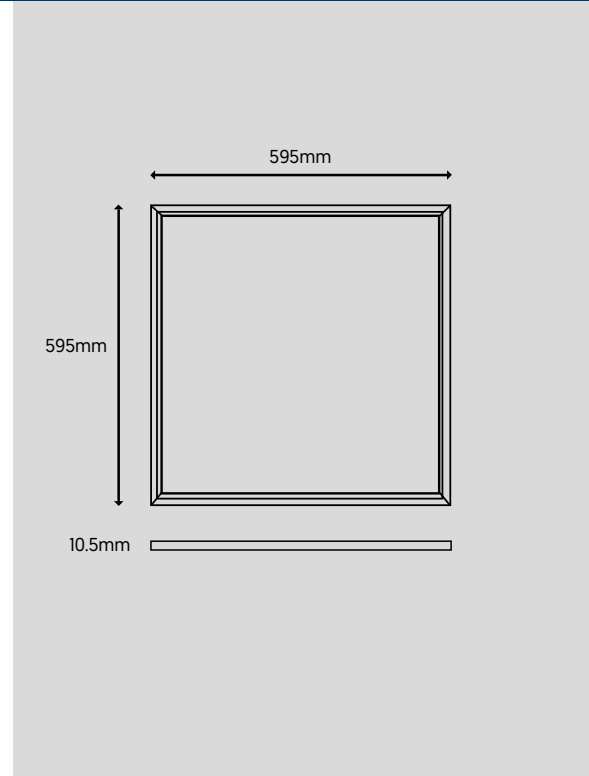
BEAM DISTRIBUTION

MPS DIFFUSER



BEAM DISTRIBUTION

AT A GLANCE



ADDITIONAL INFORMATION

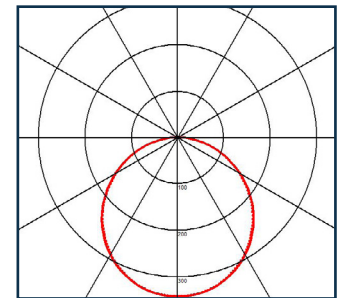
- Remote emergency available
- Dimmable [1-10v, Phase Cut, Corridor, DALI, Switch Dim, DSI, IOT]



RECESSED MODULAR

UGR<19, complies with the latest BSEN-12464 glare requirements

Specification	Orion Panel
System Power	40W
LED Chipset	Samsung
Driver Manufacturer	Philips
Colour Rendering Index (CRI)	>85
Typical UGR	<19
LED Efficacy	110Lm/cW
Diffuser	Opal
Lumen Output	4400Lm
Fire Rating	TP[a]
Dimmable	On request
Power Factor	>0.9
IP Rating	IP65
Beam Spread	160°
Colour Type	Single
Colour Temperature	4000K
Housing Material	High Grade 6063 Aluminium Frame
Light Guide Plate	PMMA
Operating Temperature	-20 to + 50 °C
Input Voltage	AC 200-240V 47-63hz
Weight	2.5kg
Dimensions	595mm x 595mm x 10.5mm
ECA Scheme Compliant	Yes



BEAM DISTRIBUTION

CODES:

ORN-40P-6x6NW-65-FB

ADD /EM FOR EMERGENCY



DIMMING OPTIONS



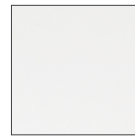
AT A GLANCE



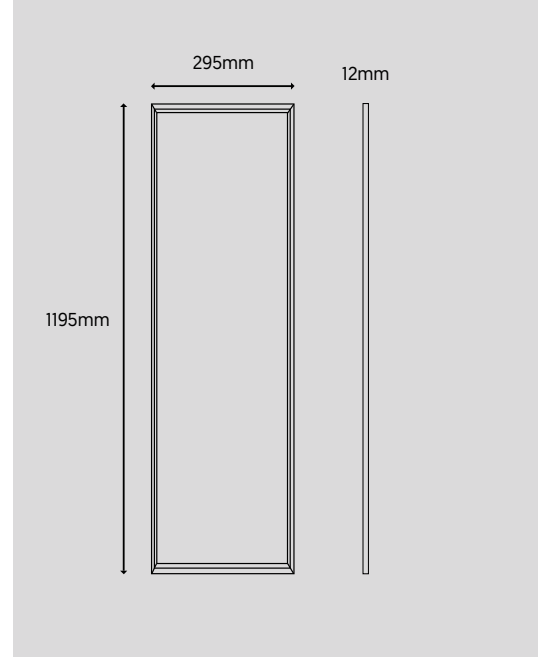
INTEGRAL INDICATOR
(ON EMERGENCY PANELS)



MICROPRISM

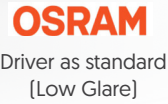


OPAL



ADDITIONAL INFORMATION

- Integral emergency (indicator in frame)
- Dimmable (1-10v, Phase Cut, Corridor, DALI, Switch Dim, DSI, IOT)

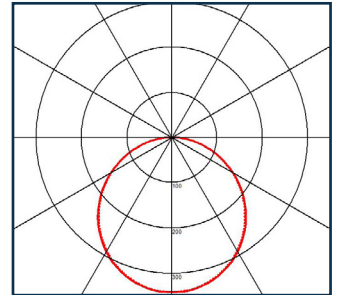


RECESSED MODULAR

UGR<19, complies with the latest BSEN-12464 glare requirements

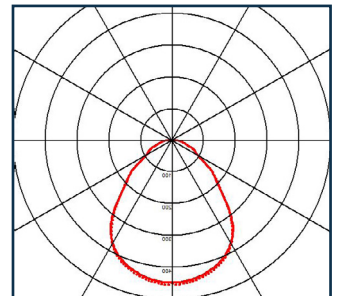
Specification	Lynx Advance 12x3	Lynx SLG 12x3
Diffuser	Opal	Microprism
System Power	30W	30W
LED Chipset	Samsung	Samsung
Driver Manufacturer	Tridonic	Osram
Colour Rendering Index (CRI)	>85	>85
Typical UGR	<19	<17
LED Efficacy	130Lm/cW	120Lm/cW
Lumen Output	3900Lm	3600Lm
Fire Rating	TP(a)	TP(a)
Dimmable	On request	On request
Power Factor	0.95	0.95
IP Rating	IP44	IP44
Beam Spread	160°	160°
Colour Type	Single	Single
Colour Temperature	3000K/4000K/6000K	3000K/4000K/6000K
Housing Material	High Grade 6063 Aluminium Frame	High Grade 6063 Aluminium Frame
Light Guide Plate	PMMA	PMMA
Operating Temperature	-20 to +65 °C	-20 to +45 °C
Input Voltage	AC 200-240V 47-63hz	AC 200-240V 47-63hz
Weight	2.7kg	2.8kg
Dimensions	1195mm x 295mm x 12mm	1195mm x 295mm x 12mm
ECA Scheme Compliant	Yes	Yes

OPAL DIFFUSER



BEAM DISTRIBUTION

MPS DIFFUSER



BEAM DISTRIBUTION

CODES:

LYNX-ADV-30-12X3YY (Opal)
LYNX-SLG-30-12X3YY (Microprism)

ADD /EM FOR EMERGENCY

Key: YY = Kelvin (WW for 3000k, NW for 4000k & CW for 6000k)
Note: TC = Tri-Colour (DC selectable – 3000k, 4000k & 6000k all in one)



DIMMING OPTIONS



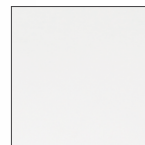
AT A GLANCE



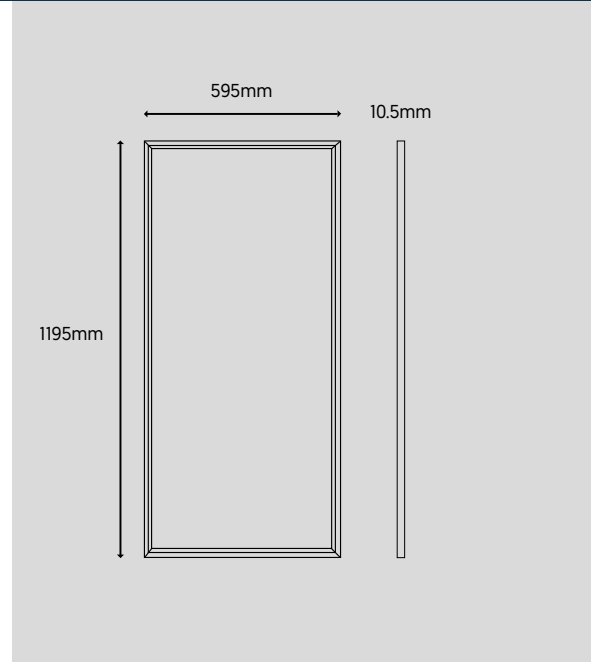
INTEGRAL INDICATOR
(ON EMERGENCY PANELS)



MICROPRISM



OPAL



ADDITIONAL INFORMATION

- Integral emergency (indicator in frame)
- Dimmable (1-10v, Phase Cut, Corridor, DALI, Switch Dim, DSI, IOT)



RECESSED MODULAR

UGR<19, complies with the latest BSEN-12464 glare requirements

Specification	Lynx Advance 12x6	Lynx SLG 12x6
Diffuser	Opal	Microprism
System Power	45W	40W
LED Chipset	Samsung	Samsung
Driver Manufacturer	Tridonic	Tridonic
Colour Rendering Index (CRI)	>85	>85
Typical UGR	<19	<17
LED Efficacy	135Lm/cW	120Lm/cW
Lumen Output	6075Lm	4800Lm
Fire Rating	TP(a)	TP(a)
Dimmable	On request	On request
Power Factor	0.95	0.95
IP Rating	IP44	IP44
Beam Spread	160°	160°
Colour Type	Single	Single
Colour Temperature	3000K/4000K/6000K	3000K/4000K/6000K
Housing Material	High Grade 6063 Aluminium Frame	High Grade 6063 Aluminium Frame
Light Guide Plate	PMMA	PMMA
Operating Temperature	-20 to +65 °C	-20 to +45 °C
Input Voltage	AC 200-240V 47-63hz	AC 200-240V 47-63hz
Weight	8.25kg	8.5kg
Dimensions	1195mm x 595mm x 10.5mm	1195mm x 595mm x 10.5mm
ECA Scheme Compliant	Yes	Yes

CODES:
LYNX-ADV-45-12X6YY (Opal)
LYNX-SLG-40-12X6YY (Microprism)

ADD /EM FOR EMERGENCY

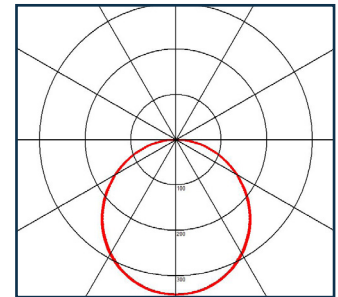
Key: YY = Kelvin (WW for 3000k, NW for 4000k & CW for 6000k)
Note: TC = Tri-Colour (DC selectable – 3000k, 4000k & 6000k all in one)



DIMMING OPTIONS

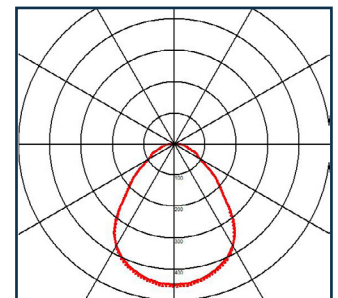


OPAL DIFFUSER



BEAM DISTRIBUTION

MPS DIFFUSER



BEAM DISTRIBUTION

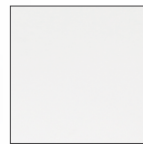
AT A GLANCE



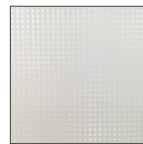
ON-X

ADDITIONAL INFORMATION

- Remote emergency available
- Dimmable (1-10v, Phase Cut, Corridor, DALI, Switch Dim, DSI, IOT)



OPAL



MICROPRISM

EPISTAR LEDs inside
Q-DRIVE Driver as standard (Opal)
PHILIPS Driver as standard (Low Glare)

RECESSED MODULAR

UGR<19, complies with the latest BSEN-12464 glare requirements

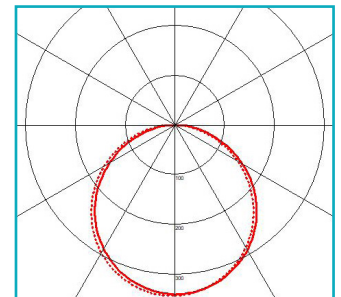
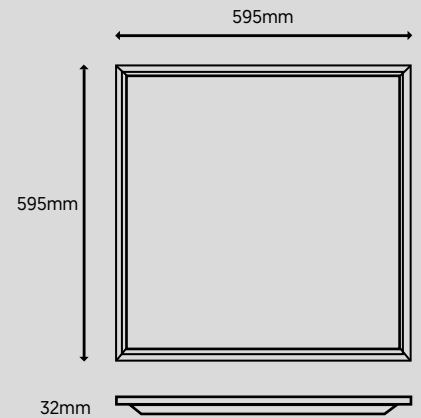
Specification	On-X Back-Lit Opal	On-X Back-Lit Microprism
Diffuser	Opal	Microprism
System Power	35W	35W
Driver Manufacturer	Q-Drive	Philips
LED Chipset	Epistar	Epistar
Colour Rendering Index [CRI]	>85	>85
Typical UGR	<19	<17
LED Efficacy	105Lm/cW	105Lm/cW
Lumen Output	3675Lm	3675Lm
Fire Rating	TP[b]	TP[b]
Dimmable	On request	On request
Power Factor	0.95	0.95
IP Rating	IP44	IP44
Beam Spread	160°	160°
Colour Type	Single	Single
Colour Temperature	3000K / 4000K / 6000K	4000K
Housing Material	Aluminium	Aluminium
Operating Temperature	-20 to + 50 °C	-20 to + 50 °C
Input Voltage	AC 200-240V 47-63hz	AC 200-240V 47-63hz
Weight	2.5kg	2.5kg
Dimensions	595mm x 595mm x 32mm	595mm x 595mm x 32mm
ECA Scheme Compliant	Yes	Yes

CODES:

- OX-BL-35-6X6WW (3000K, OPAL)
- OX-BL-35-6X6NW (4000K, OPAL)
- OX-BL-35-6X6CW (6000K, OPAL)
- OX-BL-35-6X6NW/LG (LOW GLARE)



DIMMING OPTIONS



BEAM DISTRIBUTION

ADD /EM FOR EMERGENCY

AT A GLANCE



ON-X

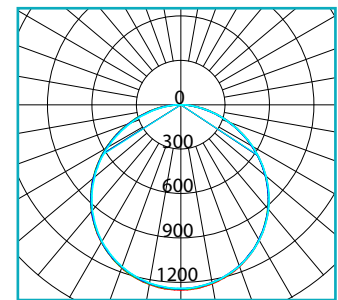
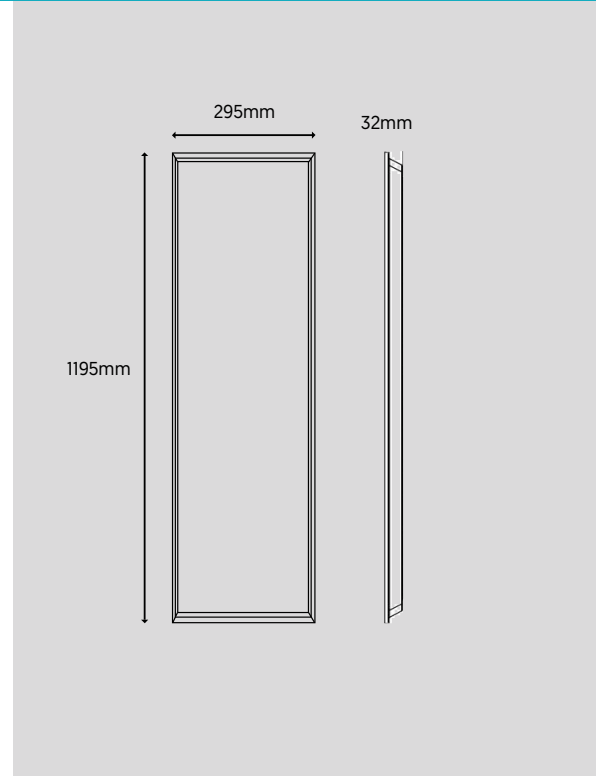
ADDITIONAL INFORMATION

- Remote emergency available
- Dimmable [1-10v, Phase Cut, Corridor, DALI, Switch Dim, DSI, IOT]

EPISTAR LEDs inside
Q-DRIVE Driver as standard

RECESSED MODULAR

Specification	On-X Back-Lit
Diffuser	Opal
System Power	35W
LED Chipset	Epistar
Driver Manufacturer	Q-Drive
Colour Rendering Index (CRI)	>80
Typical UGR	<23
LED Efficacy	105Lm/cW
Lumen Output	3675Lm
Fire Rating	TP(b)
Dimmable	On request
Power Factor	>0.95
IP Rating	IP44
Beam Spread	120°
Colour Type	Single
Colour Temperature	3000K/4000K/6000K
Housing Material	Aluminium
Operating Temperature	-20 to + 45 °C
Input Voltage	AC 200-240V 50-60hz
Weight	1.7kg
Dimensions	1195mm x 295mm x 32mm
ECA Scheme Compliant	Yes



BEAM DISTRIBUTION

CODES:
OX-BL-35-12X3WW (3000K, OPAL)
OX-BL-35-12X3NW (4000K, OPAL)
OX-BL-35-12X3CW (6000K, OPAL)

ADD /EM FOR EMERGENCY



DIMMING OPTIONS



AT A GLANCE



ADDITIONAL INFORMATION

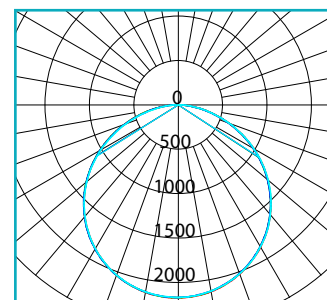
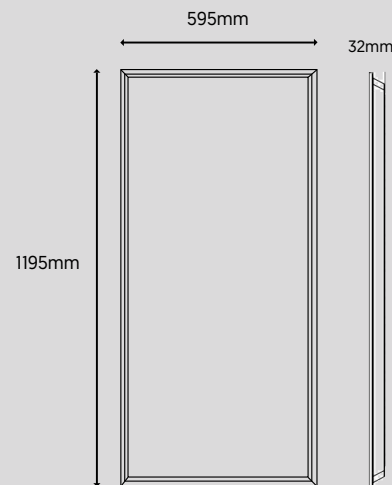
- Remote emergency available
- Dimmable [1-10v, Phase Cut, Corridor, DALI, Switch Dim, DSI, IOT]

EPISTAR
LEDs inside

Q-DRIVE
Driver as standard

RECESSED MODULAR

Specification	On-X Back-Lit
Diffuser	Opal
System Power	60W
LED Chipset	Epistar
Driver Manufacturer	Q-Drive
Colour Rendering Index (CRI)	>80
Typical UGR	<23
LED Efficacy	105Lm/cW
Lumen Output	6300Lm
Fire Rating	TP(b)
Dimmable	On request
Power Factor	>0.95
IP Rating	IP44
Beam Spread	120°
Colour Type	Single
Colour Temperature	3000K/4000K/6000K
Housing Material	Aluminium
Operating Temperature	-20 to + 45 °C
Input Voltage	AC 200-240V 50-60hz
Weight	4kg
Dimensions	1195mm x 595mm x 32mm
ECA Scheme Compliant	Yes



BEAM DISTRIBUTION

CODES:

- OX-BL-60-12X6WW [3000K, OPAL]
- OX-BL-60-12X6NW [4000K, OPAL]
- OX-BL-60-12X6CW [6000K, OPAL]

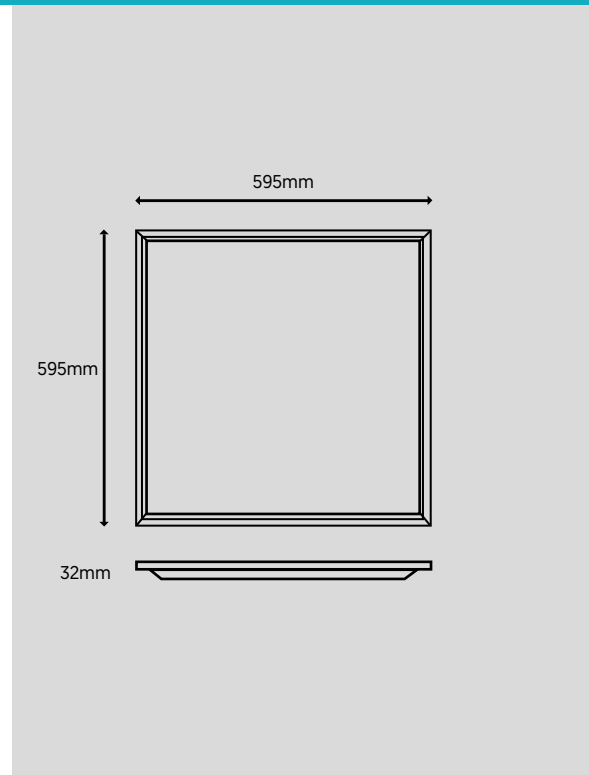
ADD /EM FOR EMERGENCY



DIMMING OPTIONS

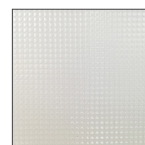
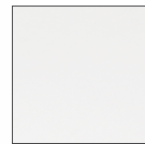


AT A GLANCE



ADDITIONAL INFORMATION

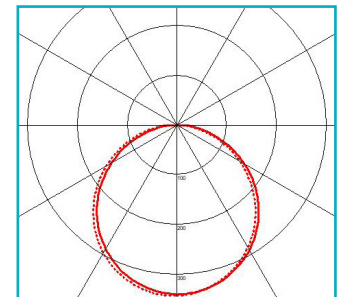
- Remote emergency available
- Dimmable [1-10v, Phase Cut, Corridor, DALI, Switch Dim, DSI, IOT]



RECESSED MODULAR

UGR<19, complies with the latest BSEN-12464 glare requirements

Specification	Orion Back-Lit Opal	Orion Back-Lit Microprism
Diffuser	Opal	Microprism
System Power	25W	25W
LED Chipset	Samsung	Samsung
Driver Manufacturer	Osram	Osram
Colour Rendering Index (CRI)	>85	>85
Typical UGR	<19	<17
LED Efficacy	152Lm/cW	145Lm/cW
Lumen Output	3800Lm	3625Lm
Fire Rating	TP(a)	TP(a)
Dimmable	On request	On request
Power Factor	0.95	0.95
IP Rating	IP44	IP44
Beam Spread	160°	160°
Colour Type	Single	Single
Colour Temperature	4000K	4000K
Housing Material	Aluminium	Aluminium
Operating Temperature	-20 to + 50 °C	-20 to + 50 °C
Input Voltage	AC 200-240V 47-63hz	AC 200-240V 47-63hz
Weight	2.5kg	2.5kg
Dimensions	595mm x 595mm x 32mm	595mm x 595mm x 32mm
ECA Scheme Compliant	Yes	Yes



BEAM DISTRIBUTION

CODES:
 ORN-BL-25-6X6NW [4000K, OPAL]
 ORN-BL-25-6X6NW/LG [4000K, LOW GLARE]

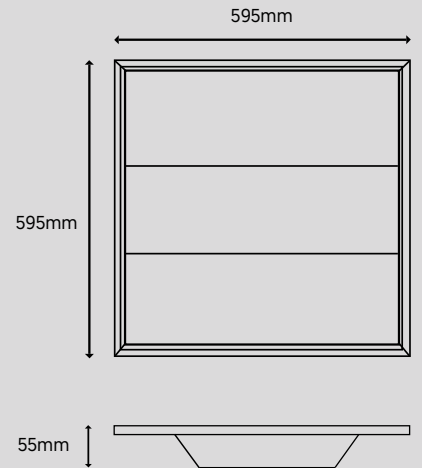
ADD /EM FOR EMERGENCY



DIMMING OPTIONS



AT A GLANCE



ADDITIONAL INFORMATION

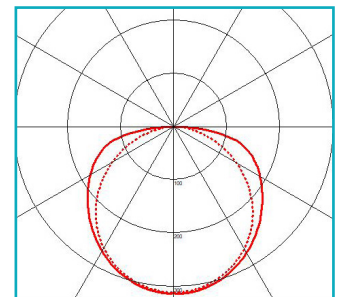
- Dimmable (1-10v, Phase Cut, Corridor, DALI, Switch Dim, DSI, IOT)
- 20W - 40W options (30W as standard)
- Remote emergency available

EPISTAR LEDs inside
TRIDONIC Driver as standard

PHOENIX ARCHITECTURAL PANEL

UGR<19, complies with the latest BSEN-12464 glare requirements

Specification	Phoenix
Diffuser	Opal (Polycarbonate)
System Power	20-40W (30W as Standard)
LED Chipset	Epistar
Driver Manufacturer	Tridonic
Colour Rendering Index (CRI)	>85
Typical UGR	<19
LED Efficacy	110Lm/cW
Lumen Output	2200-4400Lm (3300Lm as Standard)
Power Factor	>0.9
IP Rating	IP40
Beam Spread	78°
Colour Temperature	4000K
Operating Temperature	-20 to +45 °C
Input Voltage	AC 220-240V 50-60hz
Weight	3kg
Dimensions	595mm x 595mm x 55mm
ECA Scheme Compliant	Yes



BEAM DISTRIBUTION

CODES:
PHO-30-6X6NW

ADD /EM FOR EMERGENCY



DIMMING OPTIONS



AT A GLANCE



ADDITIONAL INFORMATION

- 2 or 3 point suspension included
- **Integral emergency available** (combined with emergency indicator holder on frame edge)



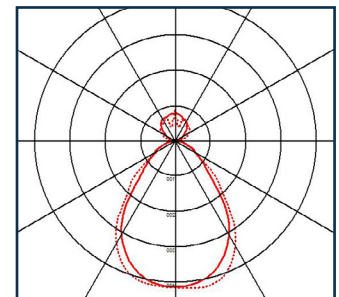
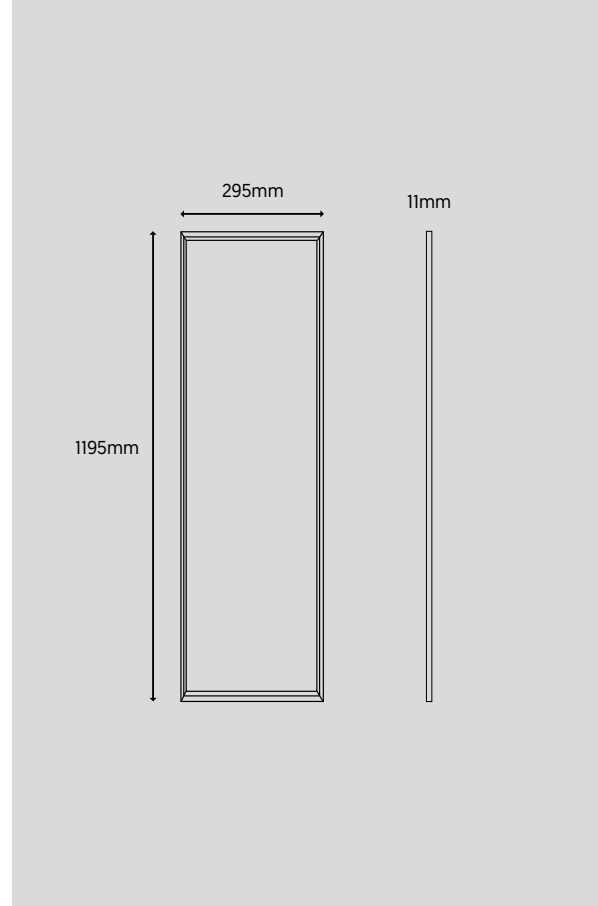
AMBIENCE DIRECT/INDIRECT PANEL

UGR<17, complies with the latest BSEN-12464 glare requirements

Specification	Ambience
System Power	30W
LED Chipset	Samsung
Driver Manufacturer	Tridonic
LED Efficacy	125Lm/cW
Lumen Output	3000Lm DOWN / 750Lm UP
Light Split	80% DOWN / 20% UP
Colour Rendering Index (CRI)	>80
Typical UGR	<17
Diffuser	Microprism
Power Factor	>0.9
IP Rating	IP40
Beam Spread	120°
Colour Type	Single
Colour Temperature	4000K
Housing Material	Aluminium
Operating Temperature	-20 to + 45 °C
Input Voltage	AC 200-240V 50-60hz
Weight	3.5kg
Dimensions	1195mm x 295mm x 11mm
ECA Scheme Compliant	Yes

CODE:
AMB-MP-30-12x3NW
AMB-EM-HOLDER (Emergency Indicator Holder)

ADD /EM FOR EMERGENCY



BEAM DISTRIBUTION

MODULAR PANEL ACCESSORIES

IP65 PIR SENSOR PASSIVE INFRARED SENSOR FOR PANELS



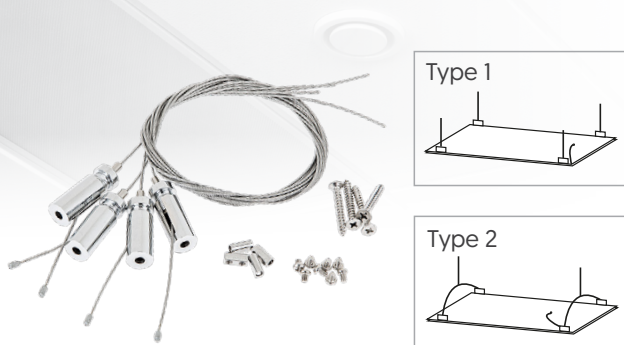
CODE: QPIR-REC-IP65

DALI DIMMING SWITCH MCU DIMMING CONTROL SWITCH



CODE: DALI-MCU

4-WIRE SUSPENSION KIT UP TO 2M PANEL SUSPENSION



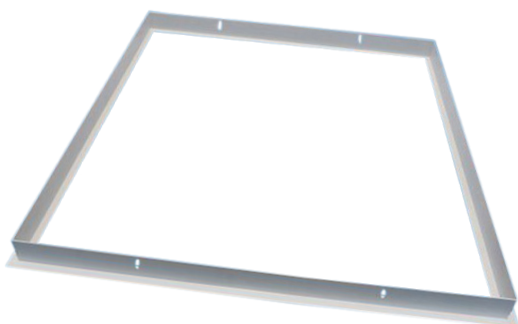
CODE: SUSPENSION-PANEL-KIT

SURFACE MOUNTING KIT AVAILABLE IN 3 SIZES



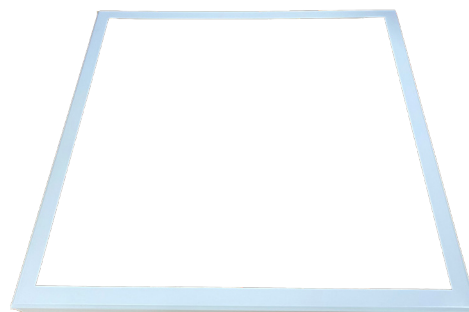
600 X 600MM CODE: SMFT-600X600
1200 X 300MM CODE: SMFT-1200X300
1200 X 600MM CODE: SMFT-1200X600

RECESSED MOUNTING KIT AVAILABLE IN 3 SIZES (MDF/PLASTERBOARD)



600 X 600MM CODE: RMF-600X600
1200 X 300MM CODE: RMF-1200X300
1200 X 600MM CODE: RMF-1200X600

CLIP FRAME 6X6 CEILING CLIP-IN FRAME



SUITABLE FOR BURGESS, ARMSTRONG AND
SAS 150 CEILINGS

CODE: CLIP-FRAME

LIGHTING DESIGN QUICK GUIDE

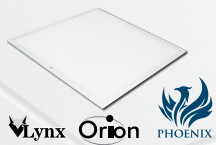


HOW TO USE THE QVIS QUICK GUIDE TO LIGHTING DESIGN

1. Select the fitting
2. Choose the lux level you require
3. Select the closest room dimensions of the space
4. Use the table to determine the quantity of fittings required.

DESIGN CRITERIA

1. Ceiling height assumed at 2.7m
2. Average surface reflectance used - Floor 20 / Walls 50 / Ceiling 70
3. Working plane measured at 0.8m
4. Maintenance factor assumed at 0.85



		LYNX-SLG-25-6X6			LYNX-ADV-25-6X6			ORN-30-6X6			PHO-30-6X6		
WATTS		25			25			30			30		
LUMENS		3000			3300			3600			3840		
Room Size		Choose Lux Level											
L(m)	W(m)	300 lux	400 lux	500 lux	300 lux	400 lux	500 lux	300 lux	400 lux	500 lux	300 lux	400 lux	500 lux
2.5	2.5	1	-	2	1	-	2	1	-	2	1	-	2
2.5	5	2	3	-	2	3	-	2	-	3	2	-	3
2.5	7.5	3	4	5	3	4	5	3	3	4	3	3	4
2.5	10	4	5	6	4	5	6	4	4	5	3	4	5
5	5	-	4	6	-	4	6	4	4	5	4	4	5
5	7.5	4	6	8	4	6	8	4	6	8	5	6	8
5	10	6	8	10	6	8	10	6	8	8	6	8	9
7.5	7.5	6	9	12	6	9	12	6	8	9	6	8	9
7.5	10	9	12	15	9	12	15	8	11	12	9	9	12
10	10	12	16	20	12	16	20	9	13	16	9	12	16



		HELIOS-110		HELIOS-180		HELIOS-230	
WATTS		10		15		20	
LUMENS		1000		1500		2000	
Room Size		Choose lux level					
L(m)	W(m)	200 lux	300 lux	200 lux	300 lux	200 lux	300 lux
2	2	2	3	1	2	1	N/A
2	4	3	6	2	3	1	2
2	6	6	8	3	5	2	3
2	8	6	10	4	6	3	4
4	4	5	6	4	6	2	4
4	6	6	9	6	8	3	6
4	8	8	12	6	10	4	6
6	6	9	12	6	9	4	6
6	8	15	20	9	12	6	9
8	8	16	24	12	16	9	12

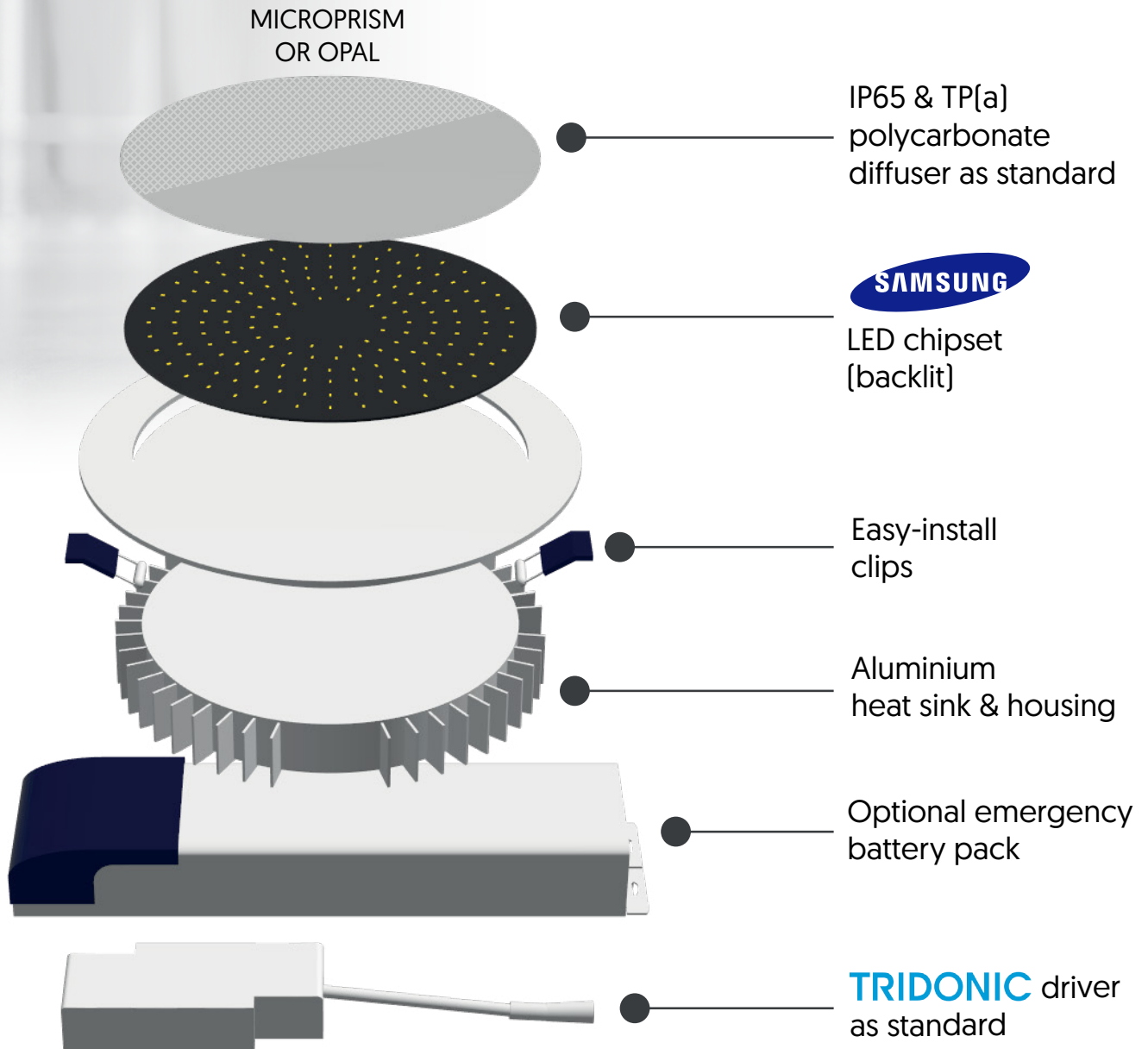
TYPICAL LIGHTING LEVELS

- 500 lux – Laboratory
- 400 lux – Office/Classroom
- 300 lux – Reception
- 250 lux – Warehouse
- 200 lux – Toilets
- 100 lux – Corridor

* The lighting calculation information displayed above applies to the areas and design criteria indicated. It is recommended that the customer carries out their own calculations to verify that the proposed quantity of luminaires meets the specified requirements. All quantities shown are calculated and rounded upward and then determined into an amount that offers a grid pattern for installation. We will not accept responsibility for lighting installations that fail to comply with specification where this criteria has been used to estimate quantity.

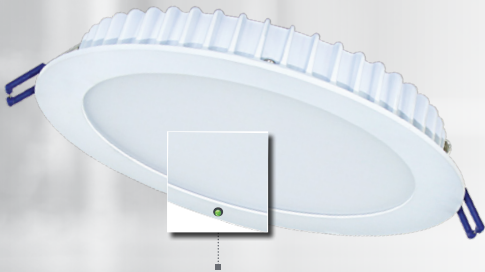
HELIOS SLIMLINE DOWNLIGHT

EXPLODED DRAWING OF HELIOS DOWNLIGHT



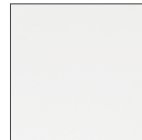
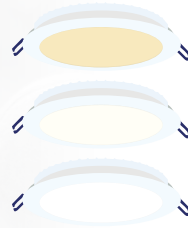
UNIBAT
EMERGENCY PACK
SEE PAGE 84

AT A GLANCE



INTEGRAL INDICATOR
(ON EMERGENCY DOWNLIGHTS)

TRI-COLOUR
OPTION
AVAILABLE



OPAL



MICROPRISM

ADDITIONAL INFORMATION

- 3000K / 4000K / 6000K
- Dimmable [1-10v, Phase Cut, Corridor, DALI, Switch Dim, DSI, IOT]
- **Integral emergency [indicator in bezel]**
- Colour switchable version from stock / tuneable white from factory
- Microprismatic diffuser version from factory



LEDs inside Driver as standard

HELIOS RECESSED DOWNLIGHT

UGR<19, complies with the latest BSEN-12464 glare requirements

Technical Specification	Helios -110
System Power	10W
LED Chipset	Samsung
Driver Manufacturer	Tridonic
Colour Rendering Index (CRI)	>85
Typical UGR	<19
Lumen Output	1150Lm
LED Efficacy	115Lm/cW
Fire Rating	TP(a)
Dimmable	All options available
Power Factor	0.9
IP Rating	IP65
Beam Spread	90°
Colour Type	Single or CCT switchable
Colour Temperature	3000k / 4000K / 6000K
Housing Material	High Grade 6063 Aluminium Frame
Diffuser Type	Opal (Polycarbonate)
Operating Temperature	-20 to +65 °C
Input Voltage	AC 200-240V 50-60hz
Weight	0.3kg
Cut Out	Ø95mm
Dimensions	Ø110mm x 24mm
ECA Scheme Compliant	Yes

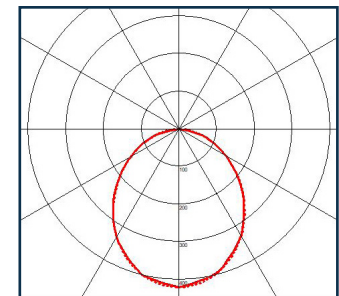
Key: YY = Kelvin (WW for 3000k, NW for 4000k & CW for 6000k)

CODES:
H65-10-110YY [Opal]
H65-10-110TC [Tri-Colour]

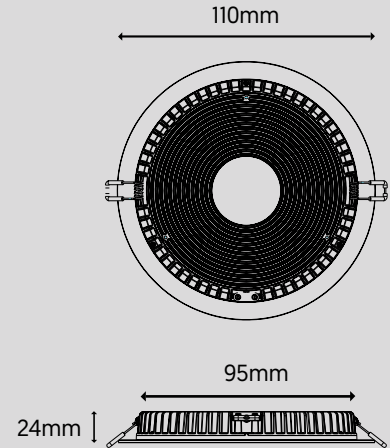
ADD /EM FOR EMERGENCY



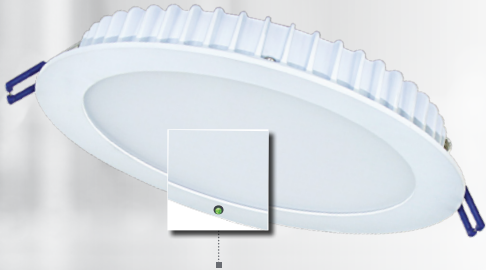
DIMMING OPTIONS



BEAM DISTRIBUTION

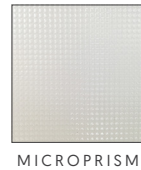
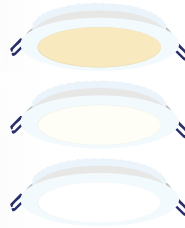


AT A GLANCE



INTEGRAL INDICATOR
(ON EMERGENCY DOWNLIGHTS)

TRI-COLOUR
OPTION
AVAILABLE



ADDITIONAL INFORMATION

- 3000K / 4000K / 6000K
- Dimmable [1-10v, Phase Cut, Corridor, DALI, Switch Dim, DSI, IOT]
- Integral emergency (indicator in bezel)
- Colour switchable version from stock / tuneable white from factory



HELIOS RECESSED DOWNLIGHT

UGR<19, complies with the latest BSEN-12464 glare requirements

Technical Specification	Helios -180	Helios -180 Microprism
System Power	15W	15W
LED Chipset	Samsung	Samsung
Driver Manufacturer	Tridonic	Tridonic
Colour Rendering Index [CRI]	>85	>85
Typical UGR	<19	<17
Lumen Output	1725Lm	1575Lm
LED Efficacy	115Lm/cW	105Lm/cW
Fire Rating	TP(a)	TP(a)
Dimmable	All options available	All options available
Power Factor	0.9	0.9
IP Rating	IP65	IP65
Beam Spread	90°	90°
	Single or CCT switchable	Single or CCT switchable
Colour Temperature	3000K / 4000K / 6000K	3000K / 4000K / 6000K
Housing Material	High Grade 6063 Aluminium Frame	High Grade 6063 Aluminium Frame
Diffuser Type	Opal [Polycarbonate]	Microprism [Polycarbonate]
Operating Temperature	-20 to +65 °C	-20 to +65 °C
Input Voltage	AC 200-240V 50-60hz	AC 200-240V 50-60hz
Weight	0.5kg	0.5kg
Cut Out	Ø160mm	Ø160mm
Dimensions	Ø180mm x 27mm	Ø180mm x 27mm
ECA Scheme Compliant	Yes	Yes

Key: YY = Kelvin [WW for 3000k, NW for 4000k & CW for 6000k]

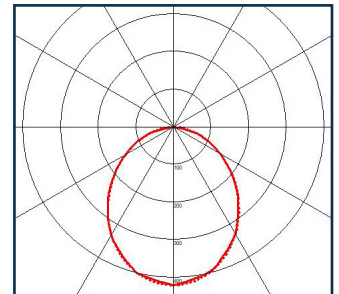
CODES:

H65-15-180YY [Opal]
H65-15-180YY/MPS [Microprism]
ADD ITEM FOR EMERGENCY



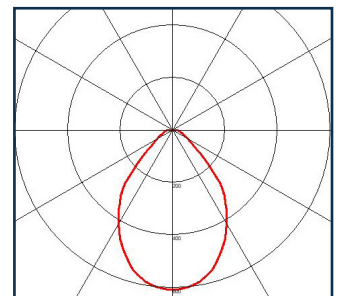
DIMMING OPTIONS

OPAL DIFFUSER

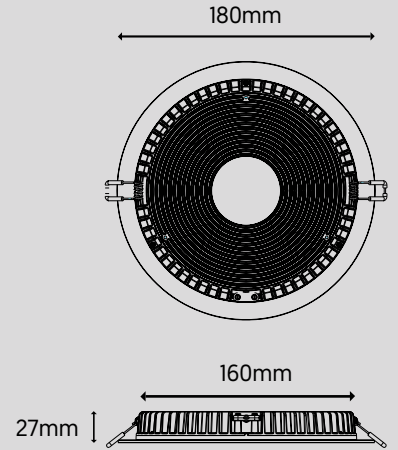


BEAM DISTRIBUTION

MPS DIFFUSER



BEAM DISTRIBUTION

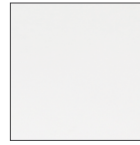
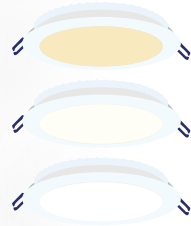


AT A GLANCE



INTEGRAL INDICATOR
(ON EMERGENCY DOWNLIGHTS)

TRI-COLOUR
OPTION
AVAILABLE



OPAL



MICROPRISM

ADDITIONAL INFORMATION

- 3000K / 4000K / 6000K
- Dimmable [1-10v, Phase Cut, Corridor, DALI, Switch Dim, DSI, IOT]
- Integral emergency [indicator in bezel]
- Colour switchable version from stock / tuneable white from factory



HELIOS RECESSED DOWNLIGHT

UGR<19, complies with the latest BSEN-12464 glare requirements

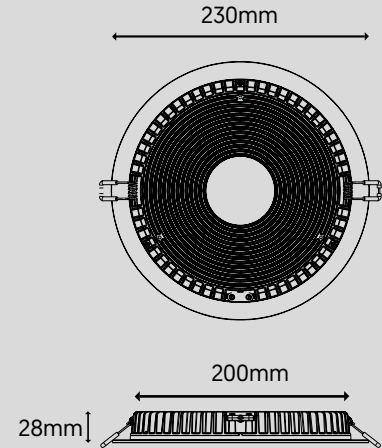
Technical Specification	Helios-230	Helios-230 Microprism
System Power	20W	20W
LED Chipset	Samsung	Samsung
Driver Manufacturer	Tridonic	Tridonic
Colour Rendering Index [CRI]	>85	>85
Typical UGR	<19	<17
Lumen Output	2300Lm	2100Lm
LED Efficacy	115Lm/cW	105Lm/cW
Fire Rating	TP(a)	TP(a)
Dimmable	All options available	All options available
Power Factor	0.9	0.9
IP Rating	IP65	IP65
Beam Spread	90°	90°
Colour Type	Single or CCT switchable	Single or CCT switchable
Colour Temperature	3000K / 4000K / 6000K	3000K / 4000K / 6000K
Housing Material	High Grade 6063 Aluminium Frame	High Grade 6063 Aluminium Frame
Diffuser Type	Opal (Polycarbonate)	Microprism (Polycarbonate)
Operating Temperature	-20 to +65 °C	-20 to +65 °C
Input Voltage	AC 200-240V 50-60hz	AC 200-240V 50-60hz
Weight	0.9kg	0.9kg
Cut Out	Ø200mm	Ø200mm
Dimensions	Ø230mm x 28mm	Ø230mm x 28mm
ECA Scheme Compliant	Yes	Yes

Key: YY = Kelvin [WW for 3000k, NW for 4000k & CW for 6000k]

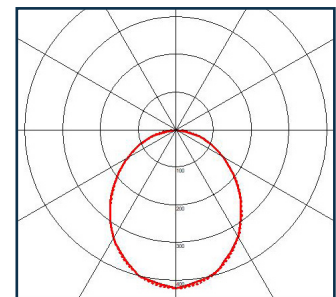
CODES:

H65-20-230YY [Opal]
H65-20-230YY/MPS [Microprism]
H65-20-230TC [Tri-Colour]

ADD /EM FOR EMERGENCY

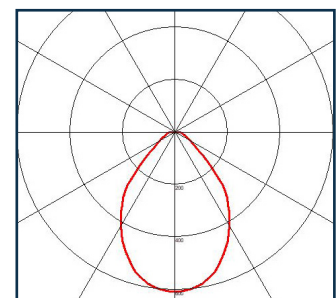


OPAL DIFFUSER



BEAM DISTRIBUTION

MPS DIFFUSER

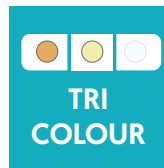


BEAM DISTRIBUTION

DIMMING OPTIONS



AT A GLANCE



SPECULAR



FACETED

ADDITIONAL INFORMATION

- Dimmable [1-10v, Phase Cut, Corridor, DALI, Switch Dim, DSI, IOT]
- Remote emergency available



CLARUS CONVENTIONAL DOWNLIGHT (172MM)

Specification	Clarus 172mm
System Power	18W
LED Chipset	Samsung
Driver Manufacturer	Tridonic
Colour Rendering Index (CRI)	>80
Typical UGR	<19
LED Efficacy	105Lm/cW
Lumen Output	1890Lm
Dimmable	On request
Power Factor	>0.9
IP Rating	IP54
Beam Spread	60°
Colour Type	Tri-Colour
Colour Temperature	3000K/4000K/5700K
Housing Material	Aluminium/Polycarbonate
Reflector Type	Aluminium Specular/Faceted
Operating Temperature	-20 to + 45 °C
Input Voltage	AC 90-305V
Cut-Out	Ø160mm
Weight	0.45kg
Dimensions	Ø172x95mm
ECA Scheme Compliant	Yes

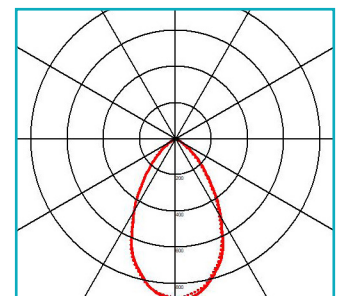
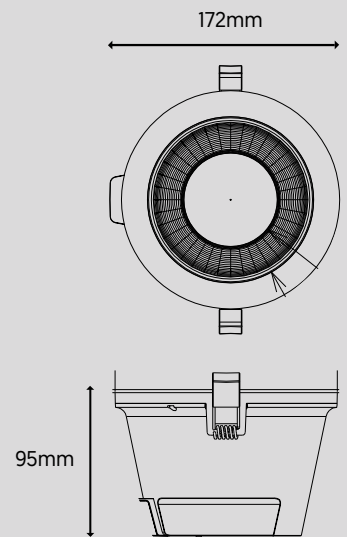
CODES:

CL172-18-FR [Faceted]
CL172-18-SR [Specular]

ADD /EM FOR EMERGENCY



DIMMING OPTIONS



BEAM DISTRIBUTION

AT A GLANCE



SPECULAR



FACETED

ADDITIONAL INFORMATION

- Dimmable [1-10v, Phase Cut, Corridor, DALI, Switch Dim, DSI, IOT]
- Remote emergency available



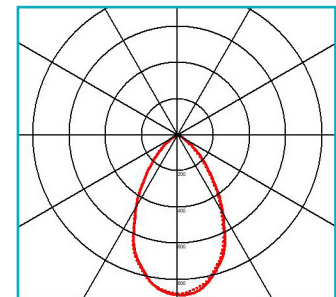
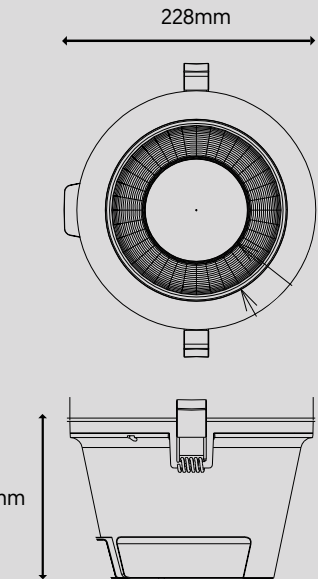
LEDs inside Driver as standard

CLARUS CONVENTIONAL DOWNLIGHT (228MM)

Specification	Clarus 228mm
System Power	25W
LED Chipset	Samsung
Driver Manufacturer	Tridonic
Colour Rendering Index [CRI]	>80
Typical UGR	<22
LED Efficacy	105Lm/cW
Lumen Output	2625Lm
Dimmable	On request
Power Factor	>0.9
IP Rating	IP54
Beam Spread	60°
Colour Type	Tri-Colour
Colour Temperature	3000K/4000K/5700K
Housing Material	Aluminium/Polycarbonate
Reflector Type	Aluminium Specular/Faceted
Operating Temperature	-20 to + 45 °C
Input Voltage	AC 90-305V
Cut-Out	Ø205mm
Weight	0.65kg
Dimensions	Ø228x98mm
ECA Scheme Compliant	Yes

CODES:
CL228-25-FR (Faceted)
CL228-25-SR (Specular)

ADD /EM FOR EMERGENCY



BEAM DISTRIBUTION

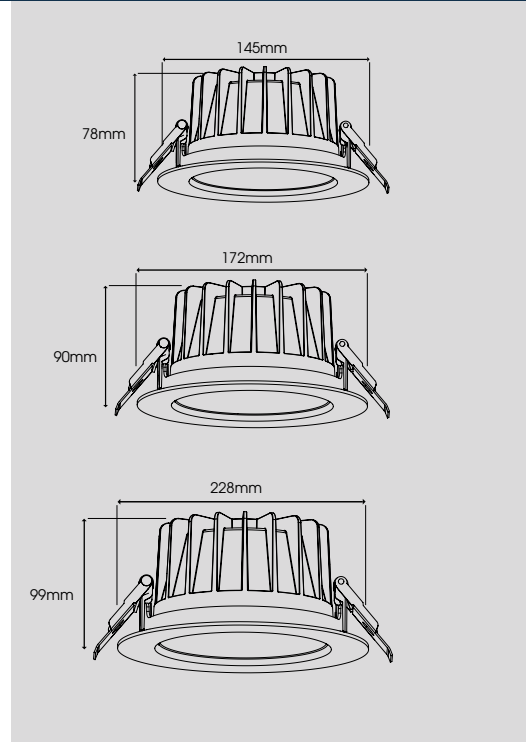
DIMMING OPTIONS



AT A GLANCE



(OPTIONS AVAILABLE ON FOLLOWING PAGE)



ADDITIONAL INFORMATION

- DALI dimmable model available
- Remote emergency available

CITIZEN

LEDs inside

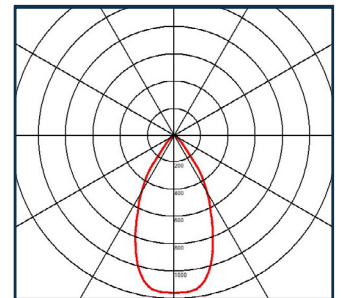
TRIDONIC

Driver as standard

CLARUS EVO INTERCHANGEABLE DOWNLIGHT

UGR<19, complies with the latest BSEN-12464 glare requirements

Specification	Clarus Evo 145mm	Clarus Evo 172mm	Clarus Evo 228mm
System Power	10W	15W / 20W Options	25W / 30W / 35W Options
LED Chipset	Citizen	Citizen	Citizen
Driver Manufacturer	Tridonic	Tridonic	Tridonic
Colour Rendering Index [CRI]	80	80	80
Typical UGR	<19	<19	<19
LED Efficacy	110Lm/w	120Lm/w	111Lm/w
Lumen Output	1100Lm	1800Lm / 2400Lm	2785Lm / 3343Lm / 3900Lm
Dimmable	On request	On request	On request
Power Factor	0.9	0.9	0.9
IK Rating	IK06	IK06	IK06
IP Rating	IP54	IP54	IP54
Beam Spread	60°	60°	60°
Colour Type	Single	Single	Single
Colour Temperature	4000K	4000K	4000K
Housing Material	PC / Aluminium	PC / Aluminium	PC / Aluminium
LED Type	COB	COB	COB
Operating Temperature	-20 to + 45 °C	-20 to + 45 °C	-20 to + 45 °C
Input Voltage	AC 200-240V	AC 200-240V	AC 200-240V
Cut-Out	Ø125-135mm	Ø150-165mm	Ø200-210mm
Weight	0.475kg	0.705kg	1.135kg
Dimensions	Ø145x78mm	Ø172x90mm	Ø228x99mm
ECA Scheme Compliant	Yes	Yes	Yes



BEAM DISTRIBUTION

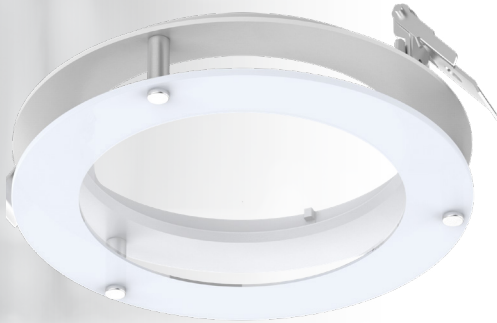
CODES:

CLE-145-FR-NW
CLE-172-FR-NW
CLE-228-FR-NW

ADD /EM FOR EMERGENCY



**POLO
FROSTED DROP-GLASS**



145MM CODE: CLE-145-PR
172MM CODE: CLE-172-PR
228MM CODE: CLE-228-PR

**FULL CIRCLE
FROSTED DROP-GLASS**



145MM CODE: CLE-145-FC
172MM CODE: CLE-172-FC
228MM CODE: CLE-228-FC

**BLACK
60-DEGREE REFLECTOR**



145MM CODE: CLE-145-BLR
172MM CODE: CLE-172-BLR
228MM CODE: CLE-228-BLR

**MATTE SILVER
60-DEGREE REFLECTOR**



145MM CODE: CLE-145-MSR
172MM CODE: CLE-172-MSR
228MM CODE: CLE-228-MSR

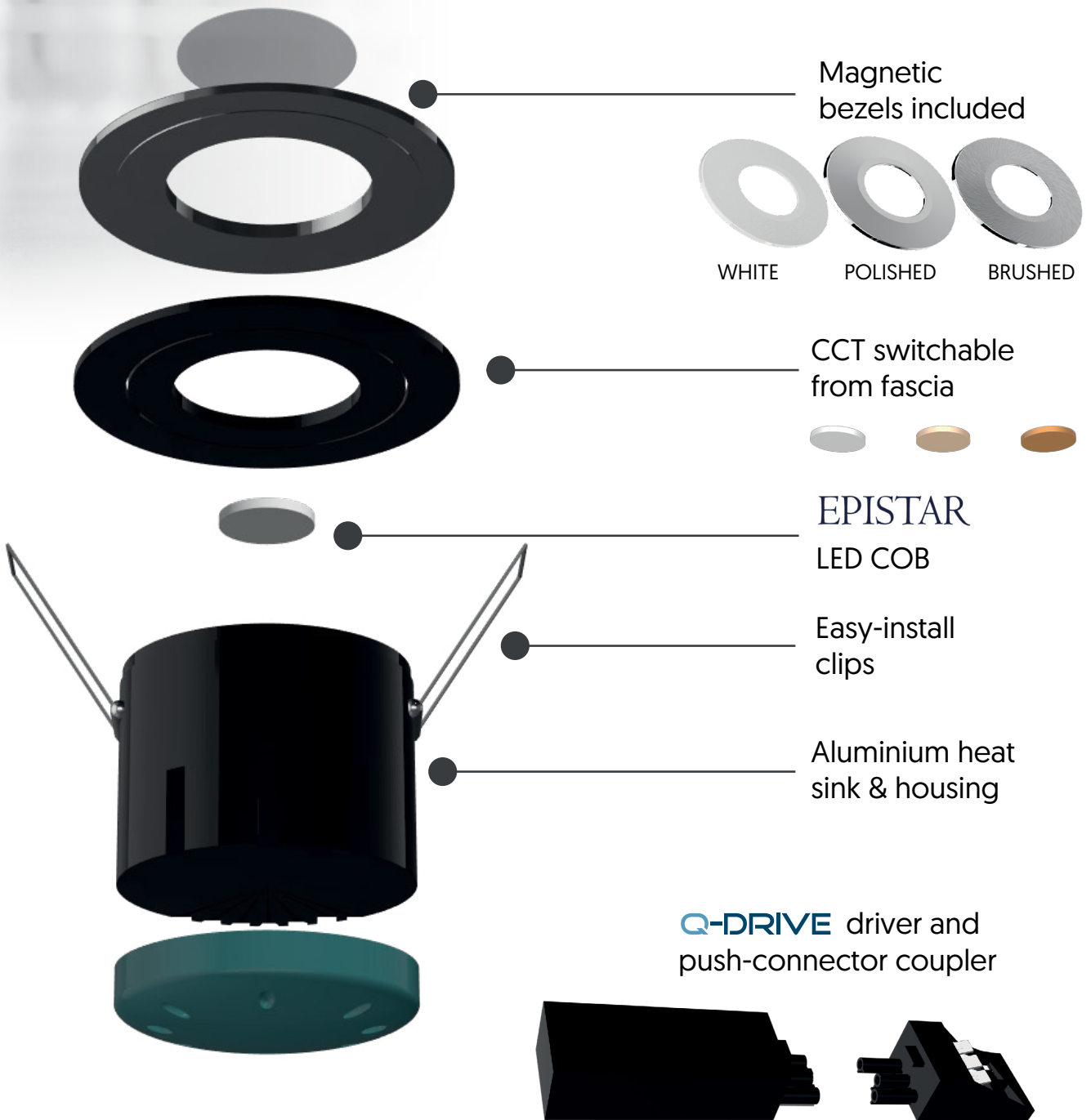
**WHITE
60-DEGREE REFLECTOR**



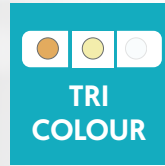
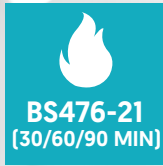
145MM CODE: CLE-145-WHR
172MM CODE: CLE-172-WHR
228MM CODE: CLE-228-WHR

SCORCH FIRE-RATED DOWNLIGHT

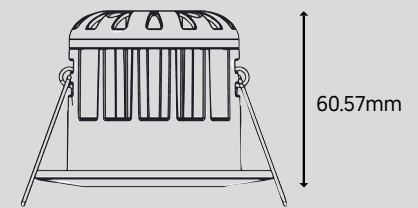
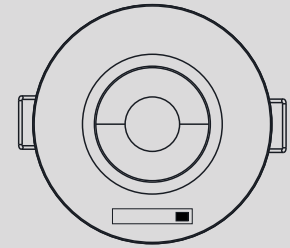
EXPLODED DRAWING OF SCORCH FRD



AT A GLANCE



82.09mm



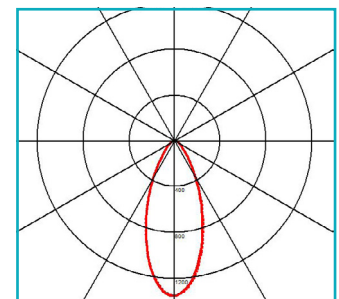
ADDITIONAL INFORMATION

- Dimmable (1-10v, Phase Cut, Corridor, DALI, Switch Dim, DSI, IOT)
- I-Joist certifications
- Remote emergency available

EPISTAR LEDs inside
Q-DRIVE Driver as standard

SCORCH ALL-IN-ONE FIXED DOWNLIGHT

Specification	Scorch
System Power	10W
LED Chipset	Epistar
Driver Manufacturer	Q-Drive
Colour Rendering Index (CRI)	>80
Lumen Output	WW 850Lm / NW 950Lm / CW 850Lm
LED Efficacy	WW 85Lm/cW NW 95Lm/cW CW 85Lm/cW
Dimmable	Trailing Edge (20 fittings max)
Power Factor	>0.9
IP Rating	IP65 from fascia
Beam Spread	40°
Magnetic Bezels	Polished / Brushed / White
Colour Temperature	3000K/4000K/6000K Switchable
Housing Material	Aluminium Heat Sync, Steel Fascia
Ambient Temperature	50°C ~ 75°C
Input Voltage	230VAC 50-60Hz
Fire Rating	BS476-21 30/60/90 minutes
Lamp Type	COB
Building Regs	Part L
Dimensions	Ø82.09mm x 60.57mm [excluding the driver]
Cut Out	Ø67mm
Weight	0.34kg



BEAM DISTRIBUTION

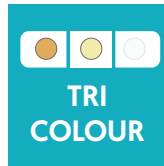
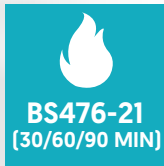
CODE:
SFR-10-TC
ADD /EM FOR EMERGENCY



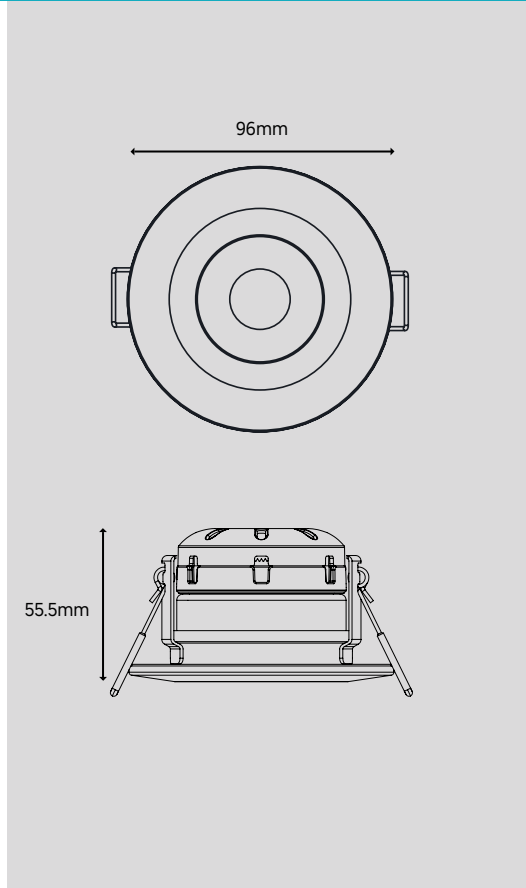
DIMMING OPTIONS



AT A GLANCE



**ADJUSTABLE BEZEL
TILTS UP TO ±20°**



ADDITIONAL INFORMATION

- Dimmable (1-10v, Phase Cut, Corridor, DALI, Switch Dim, DSI, IOT)
- I-Joist certifications
- Remote emergency available

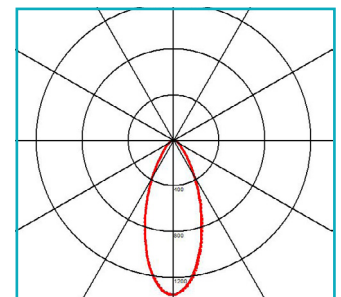
EPISTAR **Q-DRIVE**

LEDs inside

Driver as standard

SCORCH ALL-IN-ONE ADJUSTABLE DOWNLIGHT

Specification	Scorch Tilt
System Power	8W
LED Chipset	Epistar
Driver Manufacturer	Q-Drive
Colour Rendering Index (CRI)	>80
Lumen Output	800Lm
LED Efficacy	100 Lm/cW
Dimmable	Trailing Edge (20 fittings max)
Power Factor	>0.9
IP Rating	IP65
Beam Spread	40°
Tilt Angle	±20°
Magnetic Bezels	Polished / Brushed / White
Colour Temperature	3000K/4000K/6000K Switchable
Housing Material	Aluminium Heat Sync, Steel Fascia
Ambient Temperature	50°C ~ 75°C
Input Voltage	230VAC 50-60Hz
Fire Rating	BS476-21 30/60/90 minutes
Lamp Type	COB
Building Regs	Part L
Dimensions	Ø96mm x 55.5mm (excluding the driver)
Cut Out	Ø80mm
Weight	0.4kg



BEAM DISTRIBUTION

CODE:

SFR-8W-TILT

ADD /EM FOR EMERGENCY



DIMMING OPTIONS

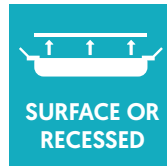


Call Us On: +44 (0) 2393 870 050 Email: sales@qvislighting.com Visit our website: www.qvisled.com

Information is subject to change without notice.

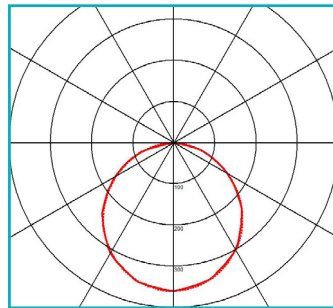
VIRGO MULTI-FIT & DUAL MOUNT DOWNLIGHT TRADE RANGE

AT A GLANCE

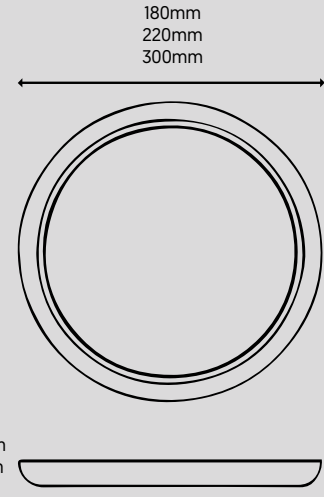


ADDITIONAL INFORMATION

- No emergency or dimmable options (Integral driver)
- Black & chrome trims available from factory (codes below spec table)



BEAM DISTRIBUTION



EPISTAR Q-DRIVE

LEDs inside

Driver as standard

VIRGO MULTI-FIT & DUAL MOUNT DOWNLIGHT

Specification	Virgo 8W/12W	Virgo 12W/18W	Virgo 18W/25W
Diffuser	Opal	Opal	Opal
System Power	8W/12W	12W/18W	18W/25W
Wattage Type	Selectable	Selectable	Selectable
LED Chipset	Epistar	Epistar	Epistar
Driver Manufacturer	Q-Drive	Q-Drive	Q-Drive
LED Efficacy	65/70/70Lm/cW [WW/NW/CW]	70/75/75Lm/cW [WW/NW/CW]	75/80/80Lm/cW [WW/NW/CW]
Lumen Output	8W: 520/560/560lm [WW/NW/CW] 12W: 780/840/840Lm [WW/NW/CW]	12W: 840/900/900Lm [WW/NW/CW] 18W: 1260/1350/1350Lm [WW/NW/CW]	18W: 1350/1440/1440Lm [WW/NW/CW] 25W: 1875/2000/2000Lm [WW/NW/CW]
Power Factor	>0.85	>0.9	>0.9
IP Rating	IP44	IP44	IP44
Beam Spread	110°	110°	110°
Colour Temp	3000K/4000K/6000K Switchable	3000K/4000K/6000K Switchable	3000K/4000K/6000K Switchable
Housing Material	Polycarbonate	Polycarbonate	Polycarbonate
Operating Temperature	-20 to +40 °C	-20 to +40 °C	-20 to +40 °C
Input Voltage	220-240 VAC	220-240 VAC	220-240 VAC
Cut Out	Ø80-160mm	Ø120-200mm	Ø150-270mm
Weight	0.4kg	0.53kg	0.95kg
Dimensions	Ø180mm x 20.5mm	Ø220mm x 21.5mm	Ø300mm x 25mm

CODES:

VGO-8/12-80/160TC (8W/12W Switch)
VGO-12/18-120/200TC (12W/18W Switch)
VGO-18/25-150/270TC (18W/25W Switch)

VGO-180-BLACK (180mm Black Bezel)
VGO-220-BLACK (220mm Black Bezel)
VGO-300-BLACK (300mm Black Bezel)
VGO-180-CHROME (180mm Chrome Bezel)
VGO-220-CHROME (220mm Chrome Bezel)
VGO-300-CHROME (300mm Chrome Bezel)



EMERGENCY RANGE



Blade
Suspended Exit Sign



Page 80

QSpot
Standalone Spotlight



Page 82

QSpot
Surface Mounted Spotlight



Page 83

QVIS stocks a full range of emergency luminaires and remote packs, including a suspended exit sign to compliment surface and recessed mounted BLADE luminaires. A surface remote 1W spot has joined the popular recessed standalone emergency for additional mounting options. Both QSPOT models come with interchangeable open and corridor lenses for flexibility on install and a conveniently small cartridge, housing a Lithium Iron Phosphate battery back-up. All exit signs come with ISO man in door, arrow up as standard and the majority of emergency luminaires are complete with additional signage for change of direction if required.



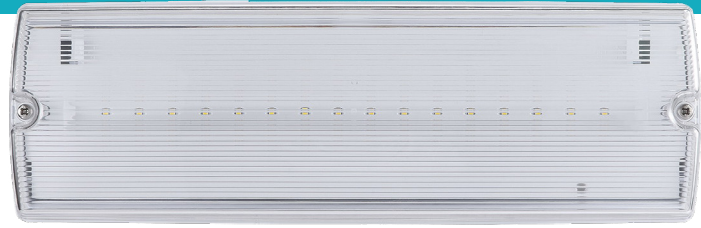
Scan QR For Direct Link To Download the FREE QLS Mobile App For Your Account & New Product Information, Product Demos & So Much More!

Call Us On: +44 (0) 2393 870 050 Email: sales@qvislighting.com Visit our website: www.qvisled.com
Information is subject to change without notice.

LEXUS BULKHEAD

TRADE RANGE

AT A GLANCE

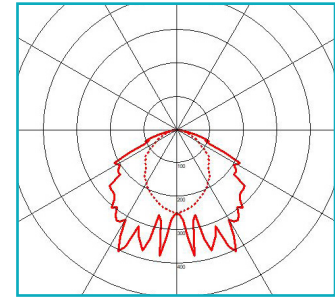


Specification	Lexus
System Power	3W (8W version from factory)
LED Chipset/Driver	Epistar/Q-Drive
IP Rating	IP65
Lumen Output	150 Lm
LED Efficacy	50 Lm/cW
Colour Temperature	4000K
Discharge Duration	3 hours
Viewing Distance	22m
Housing Material	Polycarbonate
Diffuser Type	Polycarbonate
Beam Spread	120°
Operating Temperature	-20 to +30 °C
Weight	0.5kg
Input Voltage	AC 200-240V
Emergency	Maintained/Non-Maintained
Dimensions	350mm x 110mm x 58mm

CODE:
LEXUS-3NW

EPISTAR
LEDs inside

Q-DRIVE
Driver as standard



BEAM DISTRIBUTION

LEXUS MINI BULKHEAD

AT A GLANCE

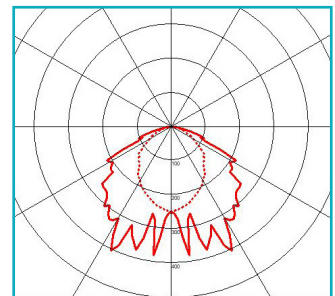


Specification	Lexus Mini
System Power	3W
LED Chipset/Driver	Epistar/Q-Drive
IP Rating	IP65
Lumen Output	171 Lm
LED Efficacy	57 Lm/cW
Colour Temperature	4000K
Discharge Duration	3 hours
Viewing Distance	18m
Housing Material	Polycarbonate
Diffuser Type	Polycarbonate
Beam Spread	120°
Operating Temperature	-20 to +30 °C
Weight	0.47kg
Input Voltage	AC 150-180V
Emergency	Maintained/Non-Maintained
Dimensions	218mm x 100mm x 48mm

CODE:
LEXUS-MINI-3NW

EPISTAR
LEDs inside

Q-DRIVE
Driver as standard



BEAM DISTRIBUTION

AT A GLANCE



Specification	Ebox
System Power	4W
LED Chipset/Driver	Epistar/Q-Drive
IP Rating	IP20
Colour Temperature	6000K
Discharge Duration	3 Hours
Material	White painted steel/polycarbonate plastic legend
Colour Rendering Index (CRI)	>85
Weight	1.20kg
Mounted	Wall-Mounted or Ceiling-Mounted
Viewing Distance	28 meters
Lamp Protection	Over charge and discharge protection
LED Indicator	Green charge indicator
Input Voltage	AC 200-240V
Spec of Battery	3.6V 1500mah NI-CD Battery
Dimensions	290mm x 190mm x 60mm



CODE:
EBOX-3

EPISTAR
LEDs inside

Q-DRIVE
Driver as standard

BLADE RECESSED

AT A GLANCE



Specification	Blade Recessed
System Power	3W
Lumen	150Lm
LED Chipset/Driver	Epistar/Q-Drive
IP Rating	IP20
Colour Temperature	4000K
Viewing Distance	24 meters
Housing Material	Polycarbonate
Operating Temperature	-20 to +30 °C
Input Voltage	AC 200-240V
Weight	0.9kg
Emergency	Non-Maintained
Discharge Duration	3 hours
Dimensions	308mm x 232mm x 35mm



CODE:
BLADE-3/R

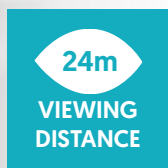
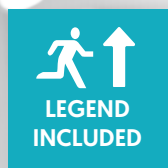
EPISTAR
LEDs inside

Q-DRIVE
Driver as standard

BLADE SURFACE

TRADE RANGE

AT A GLANCE



Specification	Blade Surface
System Power	3W
Lumen	150Lm
LED Chipset/Driver	Epistar/Q-Drive
IP Rating	IP20
Colour Temperature	4000K
Viewing Distance	24 meters
Housing Material	Polycarbonate
Operating Temperature	-20 to +30 °C
Input Voltage	AC 200-240V
Weight	0.9kg
Emergency	Non-Maintained
Discharge Duration	3 hours
Dimensions	308mm x 232mm x 35mm

CODE:
BLADE-3/S

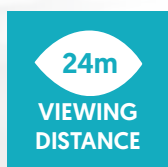
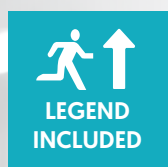
EPISTAR
LEDs inside

Q-DRIVE
Driver as standard



BLADE SUSPENDED

AT A GLANCE



Specification	Blade Suspended
System Power	3W
Lumen	150Lm
LED Chipset/Driver	Epistar/Q-Drive
IP Rating	IP20
Colour Temperature	4000K
Viewing Distance	24 meters
Housing Material	Polycarbonate
Operating Temperature	-20 to +30 °C
Input Voltage	AC 200-240V
Weight	0.9kg
Emergency	Non-Maintained
Discharge Duration	3 hours
Dimensions	220mm x 300mm x 45mm (up to 480mm suspension)

CODE:
BLADE-3/SUS

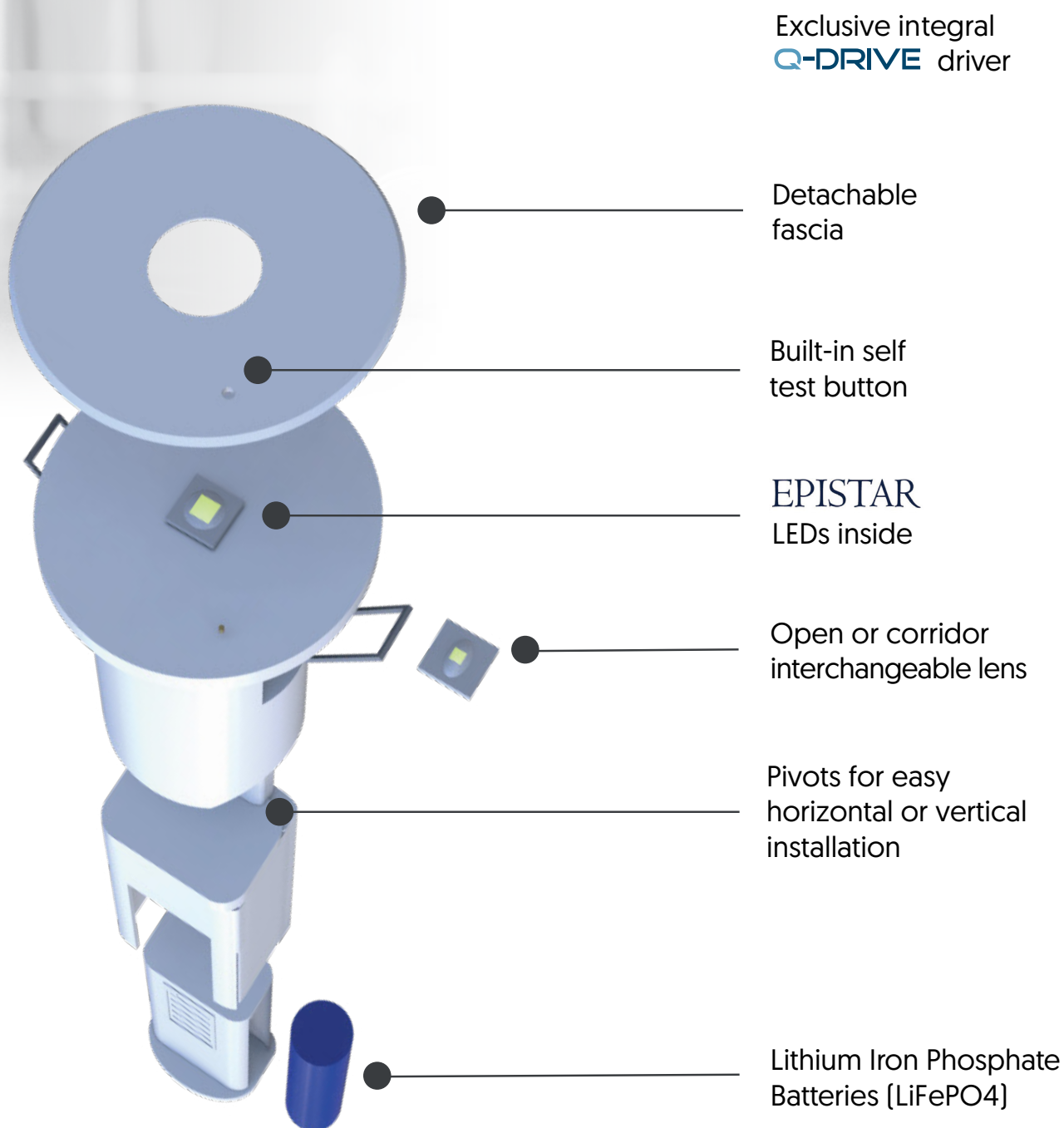
EPISTAR
LEDs inside

Q-DRIVE
Driver as standard

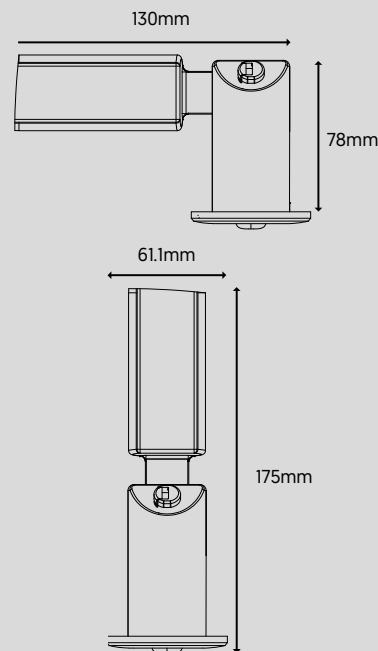
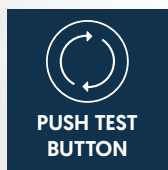


QSPOT STANDALONE SPOTLIGHT

EXPLODED DRAWING OF QSPOT STANDALONE EMERGENCY



AT A GLANCE



ADDITIONAL INFORMATION

- Luminaire, battery and optics in a single box
- Small, compact design for use in limited space
- Self test button as standard
- Colour temperature: 6,500K
- High colour rendering index: CRI >80

EPISTAR **Q-DRIVE**

LEDs inside

Driver as standard

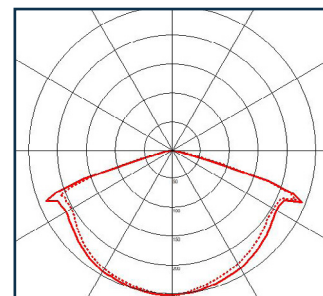
QSPOT STANDALONE EMERGENCY SPOT (RECESSED)

Specification	QSpot Standalone
System Power	1W
Lumen Output	135Lm
LED Chipset	Epistar
Driver Manufacturer	Q-Drive
Colour Rendering Index (CRI)	>80
Colour Temperature	6500K
Battery	LiFePO4 3.2V 1500mAh
Emergency Time	3 Hours
Operating Mode	Non-maintained or maintained
Testing	Manual Testing
Battery Type	Lithium Iron Phosphate
Cut-Out	40mm
Dimensions	175mm x 61.1mm
IP Rating	IP20
Input Voltage	VAC200-240
ECA Scheme Compliant	Yes

CODE:
Q-SPOT-1W/3H/L

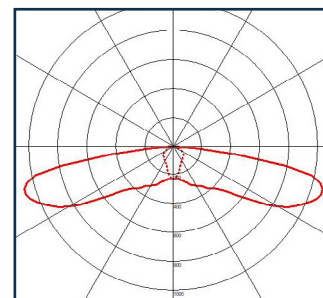


OPEN LENS



BEAM DISTRIBUTION

CORRIDOR LENS



BEAM DISTRIBUTION

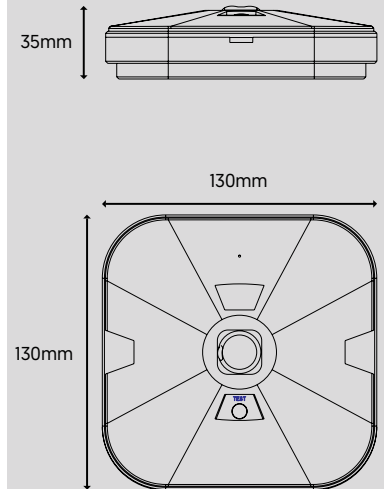
AT A GLANCE



OPEN LENS



CORRIDOR LENS



ADDITIONAL INFORMATION

- Luminaire, battery and driver integral to fitting
- Small, compact design
- Maintained and non-maintained variants
- Colour temperature: 6,500K
- High colour rendering index: CRI >80

EPISTAR LEDs inside
Q-DRIVE Driver as standard

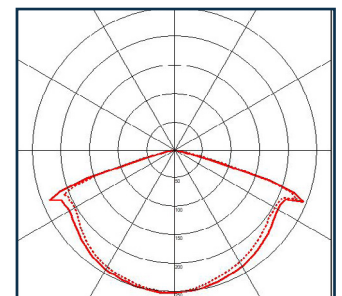
QSPOT STANDALONE EMERGENCY SPOT (SURFACE)

Specification	QSpot Surface
System Power	1W
Lumen Output	130Lm
LED Chipset	Epistar
Driver Manufacturer	Q-Drive
Colour Rendering Index (CRI)	>80
Colour Temperature	6500K
Battery	LiFePO4 3.2V 1500mAh
Emergency Time	3 Hours
Operating mode	Non-maintained or maintained
Testing	Manual Testing
Battery Type	Lithium Iron Phosphate
Operating Temperature	-20 to +40 °C
Dimensions	130mm x 35mm
IP Rating	IP54
Input Voltage	VAC200-240
ECA Scheme Compliant	Yes

CODE:
Q-SF-1W/3H/L

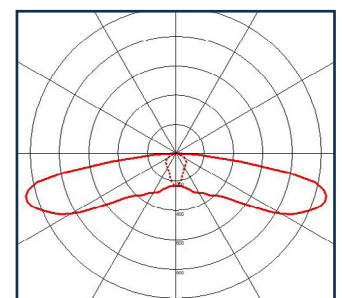


OPEN LENS



BEAM DISTRIBUTION

CORRIDOR LENS



BEAM DISTRIBUTION

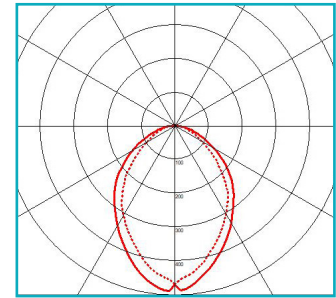
TWIN SPOT EMERGENCY SPOTLIGHT

TRADE RANGE

AT A GLANCE



Specification	Twin Spot
System Power	2x 5W
LED Chipset/Driver	Epistar/Q-Drive
Lumen Output	550Lm
Colour Rendering Index [CRI]	>80
Colour Temperature	4000K
Housing Material	Polycarbonate
Discharge Duration	3 hours
Operating Temperature	-20 to +40 °C
Weight	1.65kg
Beam Angle	60°
Input Voltage	AC 220-240V
IP Rating	IP65
Emergency	Non-Maintained
Dimensions	279mm x 295mm x 80mm



BEAM DISTRIBUTION



CODE:
TWIN-2X15N

EPISTAR
LEDs inside

Q-DRIVE
Driver as standard

UNIBAT EMERGENCY PACK



Our universally compatible emergency Unibat uses LiFePO4 battery technology, offering longer life expectancy and lower running cost over traditional Ni-Cad emergency kits.

Specification	Unibat
Input Voltage	220 - 240VAC
Mains Frequency	50/60Hz
Battery Charge Time	24h
Ambient Temperature t_a	-0°C to +45°C
Max. Casing Temperature t_c	60°C
Mains Voltage Changeover Threshold	According to EN 61347 - 1, 61347 - 2 - 7, 61347 - 2 - 13
IP Rating	IP20
Battery Discharge Current	360 to 410mA
Output Voltage	10 to 60VDC
Output Constant Current	Min - 30mA to Max - 170mA
Emergency Power	2.5W

PROPERTIES

- Maintained or non-maintained operation
- 3 hour duration
- Automatic shutdown of output if LED load is out of range
- Electronic charge system
- Deep discharge protection
- Polarity reversal protection
- Self test version also available



CODE:
UNIBAT-LIFEPO4/EW

CONTINUOUS LINEAR



Infinity Surface Mounting



Page 86

Infinity Suspended Mounting



Page 86

Infinity Recessed Mounting



Page 87

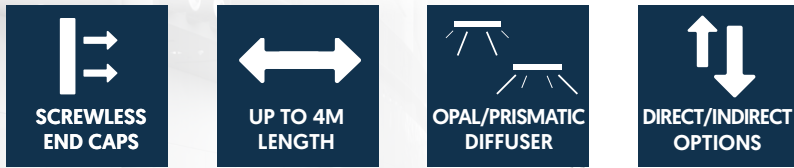
QVIS now offer bespoke continuous linear fittings; 'INFINITY', tailored towards giving customers the freedom to design their own lighting system. These come in 4 meter extrusions, cut to size and can be mounted continuously to design length requirements. The through wired system enables one power connection at the start of a run, rather than multiple mains cables. Diffusers and blanking strips can create spaced lighting while using blank sections to house sensors and emergency spots. In surface, suspended or recessed extrusions, powder coated to the clients preference, the linear range is extremely versatile and simple to install, giving a truly bespoke lighting solution.



Scan QR For Direct Link To Download the FREE QLS Mobile App For Your Account & New Product Information, Product Demos & So Much More!

Call Us On: +44 (0) 2393 870 050 Email: sales@qvislighting.com Visit our website: www.qvisled.com
Information is subject to change without notice.

AT A GLANCE



SUSPENDED



SURFACE

ADDITIONAL INFORMATION

- 2700K, 3000K or 4000K - standard colour temperatures
- Lengths manufactured to order
- Colour temperature / RAL finish optional
- 90-degree corner available
- Emergency and dimmable on request
- Black / white / anthracite grey - standard finishes

* Given wattages are from a per meter basis - dependant on requested size

EPISTAR LEDs inside
ECOPAC Driver as standard
~ POWER

INFINITY BESPOKE LINEAR

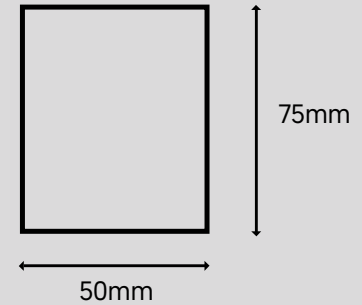
Specification	Infinity 12W	Infinity 24W	Infinity 30W	Infinity 40W
System Power	12W/m	24W/m	30W/m	40W/m
LED Chipset	Epistar	Epistar	Epistar	Epistar
Driver Manufacturer	Ecopac	Ecopac	Ecopac	Ecopac
Colour Rendering Index	>80	>80	>80	>80
Lumen Output	1150Lm/m	2200Lm/m	2760Lm/m	3680Lm/m
LED Efficacy	96Lm/cW	92Lm/cW	92Lm/cW	92Lm/cW
Fire Rating	TP[b]	TP[b]	TP[b]	TP[b]
IP Rating	IP20	IP20	IP20	IP20
IK Rating	IK04	IK04	IK04	IK04
Colour Temperature	2700K, 3000K, 4000K	2700K, 3000K, 4000K	2700K, 3000K, 4000K	2700K, 3000K, 4000K
Housing Material	Aluminium	Aluminium	Aluminium	Aluminium
Diffuser Material	Polycarbonate	Polycarbonate	Polycarbonate	Polycarbonate
Operating Temperature	-40 to +60 °C	-40 to +60 °C	-40 to +60 °C	-40 to +60 °C
Input Voltage	AC 220-240V	AC 220-240V	AC 220-240V	AC 220-240V
Weight	Depends on length	Depends on length	Depends on length	Depends on length
Dimensions	50mm x 75mm x Various	50mm x 75mm x Various	50mm x 75mm x Various	50mm x 75mm x Various

CUSTOMISABLE CODE:

INF-[WATTAGE]-[LENGTH]-[COLOUR TEMP**]/
 [MOUNTING***]

EXAMPLES: INF-12-1000-NW/S
 INF-12-1000-NW/SUS

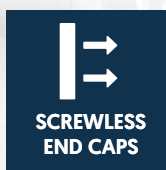
**COLOUR TEMP GUIDE:
 FOR 2700K, ADD EW
 FOR 3000K, ADD WW
 FOR 4000K, ADD NW



Length is
bespoke

AVAILABLE ON
LEAD TIME ONLY

AT A GLANCE

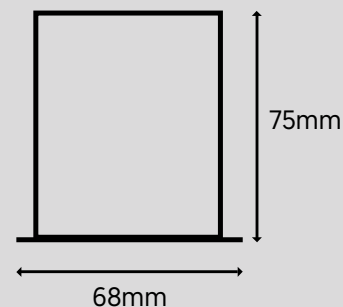


APPLICATION

ADDITIONAL INFORMATION

- 2700K, 3000K or 4000K - standard colour temperatures
- Lengths manufactured to order
- Colour temperature / RAL finish optional
- 90-degree corner available
- Emergency and dimmable on request
- Black / white / anthracite grey - standard finishes

* Given wattages are from a per meter basis - dependant on requested size



Length is
bespoke

AVAILABLE ON
LEAD TIME ONLY

EPISTAR **ECOPAC**
LEDs inside Driver as standard

INFINITY BESPOKE LINEAR

Specification	Infinity 12W	Infinity 24W	Infinity 30W	Infinity 40W
System Power	12W/m	24W/m	30W/m	40W/m
LED Chipset	Epistar	Epistar	Epistar	Epistar
Driver Manufacturer	Ecopac	Ecopac	Ecopac	Ecopac
Colour Rendering Index	>80	>80	>80	>80
Lumen Output	1150Lm/m	2200Lm/m	2760Lm/m	3680Lm/m
LED Efficacy	96Lm/cW	92Lm/cW	92Lm/cW	92Lm/cW
Fire Rating	TP(b)	TP(b)	TP(b)	TP(b)
IP Rating	IP20	IP20	IP20	IP20
IK Rating	IK04	IK04	IK04	IK04
Colour Temperature	2700K, 3000K, 4000K	2700K, 3000K, 4000K	2700K, 3000K, 4000K	2700K, 3000K, 4000K
Housing Material	Aluminium	Aluminium	Aluminium	Aluminium
Diffuser Material	Polycarbonate	Polycarbonate	Polycarbonate	Polycarbonate
Operating Temperature	-40 to +60 °C	-40 to +60 °C	-40 to +60 °C	-40 to +60 °C
Input Voltage	AC 220-240V	AC 220-240V	AC 220-240V	AC 220-240V
Weight	Depends on length	Depends on length	Depends on length	Depends on length
Dimensions	50mm x 75mm x Various	50mm x 75mm x Various	50mm x 75mm x Various	50mm x 75mm x Various

CUSTOMISABLE CODE:

INF-[WATTAGE]-[LENGTH]-[COLOUR TEMP**]/R

EXAMPLE: INF-12-1000-NW/R

**COLOUR TEMP GUIDE:
FOR 2700K, ADD EW
FOR 3000K, ADD WW
FOR 4000K, ADD NW



VISIT THE QVIS LED LIGHTING
WEBSITE - SCAN BELOW



DOWNLOAD THE QLS APP -
SCAN BELOW



QVIS[®]
LED LIGHTING

Affordability Without Compromise

ADDRESS:
Qvis HQ, 36 New Lane, Havant, Hampshire, PO9 2JL

OPENING TIMES:
Monday to Friday - 8.00am to 5.30pm GMT

CONTACT US:
Call: +44 (0) 2393 870 050 Email: sales@qvislighting.com