



12V CONSTANT VOLTAGE 1-25W LED DRIVER

PLEASE READ THESE INSTRUCTIONS CAREFULLY BEFORE INSTALLATION

LEAVE A COPY FOR THE USER / MAINTENANCE ENGINEER FOR FUTURE REFERENCE

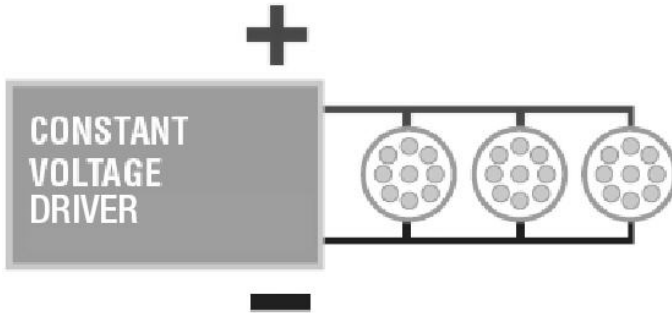
IMPORTANT INSTALLATION INFORMATION

- Installation should be carried out in accordance with the latest edition of the National Wiring Regulations. If in doubt, consult a qualified electrician.
- IMPORTANT Constant Voltage LED lamps MUST be wired in PARALLEL.
- PLEASE NOTE: 12V DC Output – correct polarity must be observed in order for the Constant Voltage LED Lamps to operate.
- Insure that ALL electrical connections are tight with no loose strands.
- Use the table below to assist with calculating how many LED lamps may be used with the LED Driver. Simply multiply the number of lamps by their respective wattage up to a MAX of 25W. It is possible to combine lamp types :

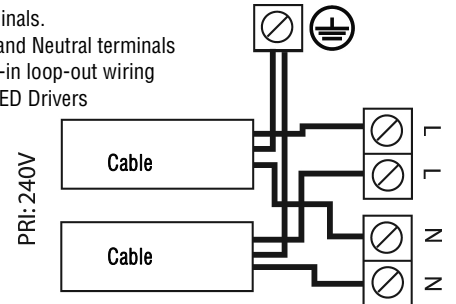
INSTALLATION INSTRUCTIONS

Isolate from the mains supply before installation or maintenance.

1. The mains supply should be connected to the Primary input terminals as follows:
 - Black/Blue – Neutral
 - Red/Brown – Live
 - Green & Yellow – Earth
2. There are three output terminals. A maximum of 25W can be connected to one output. The 25W output can also be shared in any way over the three outputs terminals.
3. IMPORTANT. Constant Voltage LED lamps MUST be wired in Parallel. Ensure connection of the lamps to the 12V DC supply is correct.

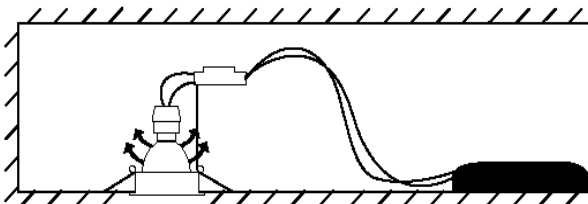


Input terminals.
Dual Live and Neutral terminals
allow loop-in loop-out wiring
between LED Drivers



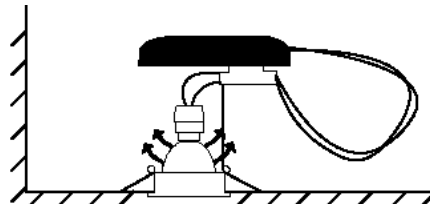
CORRECT Installation

Keep the LED Driver away from direct sources of heat such as Low Voltage lamps



INCORRECT Installation

Do not fit the LED Driver above the luminaire



Environmental Protection (W.E.E.E.) – Aurora's WEEE Reg.No. WEE/BG0130YX (UK only)



Waste Electrical & Electronic Equipment Regulations (WEEE) requires that any of our products showing this marking (left) must not be disposed of with other household or commercial waste. Aurora does not levy any WEEE disposal charges to its customers for affected WEEE related products. To prevent possible harm to the environment or human health from uncontrolled waste disposal, please separate any such product from other waste types and recycle it responsibly at your local facilities. Check with your Local Authority, Recycling Centre or retailer for recycling advice. If, when you purchased any Aurora product, your supplier included a WEEE disposal fee, you should then contact your supplier for advice on his takeback of the product for the correct disposal.

WARRANTY

See www.auroralighting.com for full details of warranties and Extended Warranty Terms and Conditions. The warranty is invalid in the case of improper use, tampering, and removal of the Q.C. date label, installation in an improper working environment or installation not according to the current edition of the National Wiring Regulations. Should this product fail during the warranty period it will be replaced free of charge, this is subject to correct installation and return of the faulty product. Aurora does not accept responsibility for any installation costs associated with the replacement of this product. This warranty is in addition to the statutory rights in your country of purchase. Aurora reserves the right to alter specifications without prior notice.