

Description

DMX RGB Sub Controller. DMX colour change interface suitable for the control of RGB LED strip etc. Maximum load: AU-DMX060 60W, AU-DMX090 90W, AU-DMX1500 150W. Up to 30 units may be controlled by 1 x AU-DMXCS03 control switch to allow the synchronised control of multiple RGB loads. Can control 12V & 24V DC RGB products. Additional 12V or 24V DC constant voltage LED driver required (according to voltage of connected load). Use AU-DMX1500 for RGBW control. Must be installed indoors.

1 year warranty

AU-DMX060

60W DMX RGB Sub Controller

AU-DMX090

90W DMX RGB Sub Controller



AU-DMX1500

150W DMX RGBW Sub Controller



Technical Information



Description

DMX wall controller providing on-off control and full dimming. Pre-programmed effect and selection can be stored for up to 4 presets. Suitable for RGB and RGBW LED strip. Requires a 12V or 24V DC power supply (not included). Use to control AU-DMX060, AU-DMX090 or AU-DMX150.

1 year warranty



AU-DMXRGBC

DMX RGB/RGBW Controller

Technical Information



Description

DMX Master Controller. Three switches to select colour, dim / fade and 12 programmes including light to sound activation using the built-in microphone. Single static colour can be manually mixed and dimmed (almost any colour can be achieved). Colour changing time delay (5 seconds - 60 minutes) and fade speed (smooth fade or switching between colours) can be altered to suit the application. Use to control up to 30 x AU-DMX060 or AU-DMX090 RGB controllers. Includes DMX power supply. DMX control switch allows control of colour changing RGB strip or lamps in bars, restaurants and domestic applications. Fits a 35mm deep (minimum) 2 gang surface or recessed mounting box.

1 year warranty

AU-DMXCS03

DMX Master Controller

POWER SUPPLY INCLUDED WITH AU-DMXCS03



Technical Information



Description

Colour changing 12V - 24V RGB Controller with Output Wattage: 12V: <216W, 24V: <432W. 18 Preset colour changing function with adjustable brightness and colour change speed includes remote control with 1m range (3 x AAA batteries required). 1 controller per application.

1 year warranty



AU-RGB1224A

RGB Controller

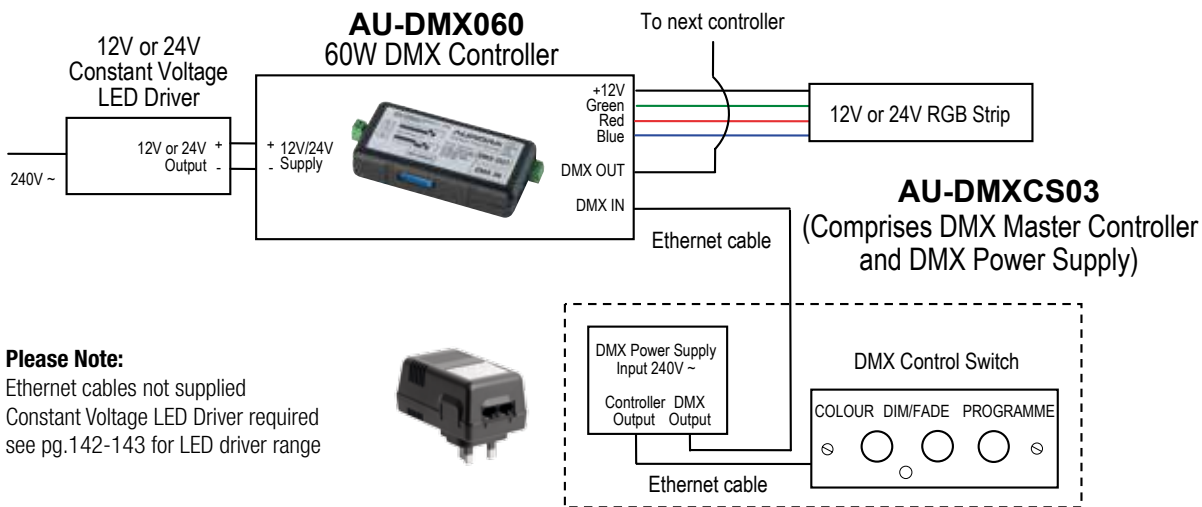
Technical Information



DMX RGB Colour Changing Control System

This system provides an easy to use and highly flexible means of controlling RGB colour changing LED products. It allows the synchronised control of multiple lengths of LED strip. This is ideal for creating a modern lighting effect in a variety of domestic and commercial applications.

- One control system for all 12V and 24V RGB strip and flex
- Provides static colour, colour changing and sound to light (via integrated microphone)
- Single static colour can be manually mixed and dimmed (almost any colour can be achieved)
- Colour changing time delay (5 seconds to 60 minutes over eight preset time gaps) and fade speed (colour fade or colour jump) can be altered to suit the application
- "Sound to light" uses sound to switch between colours, for example changing colour to the beat of a song
- Use up to 30 colour change DMX interfaces from one DMX control switch and power supply



DMX RGBW Colour Changing Control System

A simple and effective system for full control of RGBW strip. The wall controller and DMX sub controller allows full RGBW colour mixing, static colours, dimming and preset scenes on multiple lengths of RGBW strip.

- 4 preset scenes
- Full dimming
- Static Colour Selection
- Variable Colour Wheel
- Pre-programmed effects

