

INCEPTOR® HULKE

Emergency LED
Maintained
Hinged
Bulkhead



Replacement Battery

Everything you
need to complete
your installation.



Emergency Bulkhead Legends



White
Finish



Daylight Colour
Temperature



30,000
Hour Lifetime



110°
Beam Angle

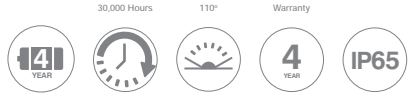


Warranty



Emergency LED Maintained Hinged Bulkhead - IP65

AVAILABLE FINISHES



COLOUR TEMPERATURE



PRODUCT INFO

CCT (K)	5500K
Lumens (Mains)	151lm
Lumens (Emergency)	107lm
Wattage	3W
Beam Angle	110°
LED Lifetime	30,000 Hours
Voltage	220-240V~
Frequency	50/60Hz
Operating Temp	0°C - +40°C
Viewing Distance	20 Metres

CODE

OVEM2311

DESCRIPTION

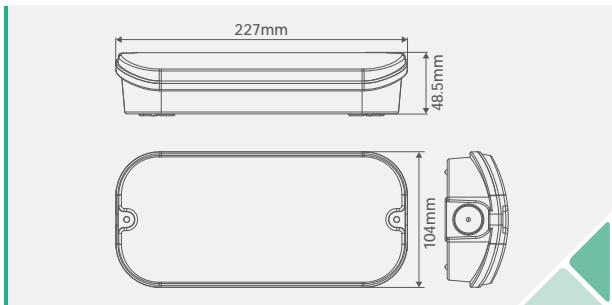
3W IP65 Hinged Bulkhead With Legend

TRADE (€)

24.84

COMPATIBLE PRODUCTS

OVEMSP003	Emergency Bulkhead Adhesive Legends	See page 40
OVEMB3609NCS	3.6V 900mAh Ni-Cd Battery - Serial	See page 38



PRODUCT APPROVALS

EN 60598-2-22 EN 55015 EN 61000-3-2 EN 61000-3-3 EN 61547

Adhesive Legend Supplied

