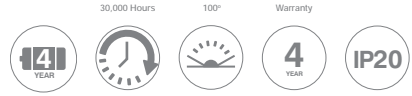


Emergency LED Maintained Box Exit Sign

AVAILABLE FINISHES



COLOUR TEMPERATURE



PRODUCT INFO

CCT (K)	5500K
Lumens (Mains)	45lm
Lumens (Emergency)	40lm
Wattage	4W
Beam Angle	100°
LED Lifetime	30,000 Hours
Voltage	220-240V~
Frequency	50/60Hz
Operating Temp	0°C - +40°C
Viewing Distance	34 Metres

CODE

DESCRIPTION

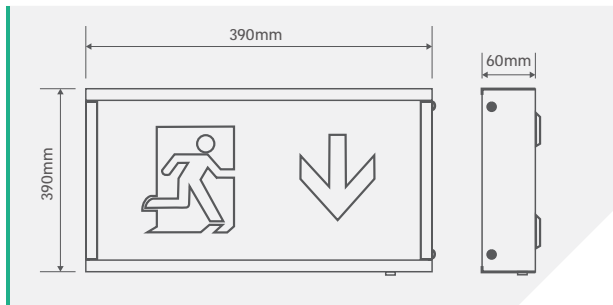
TRADE (£)

OVEM5311WHD	4W Exit Sign - White - Down	46.40
OVEM5311WHL	4W Exit Sign - White - Left	46.40
OVEM5311WHR	4W Exit Sign - White - Right	46.40
OVEM5311WHU	4W Exit Sign - White - Up	46.40

REPLACEMENT BATTERY

OVEMB3615NCP 3.6V 1500mAh Ni-Cd Battery - Parallel

See page 38



PRODUCT APPROVALS

EN 60598-2-22 EN 55015 EN 61000-3-2 EN 61000-3-3 EN 61547



Emergency LED Maintained Box Exit Sign

EMERGENCY

22

AVAILABLE FINISHES

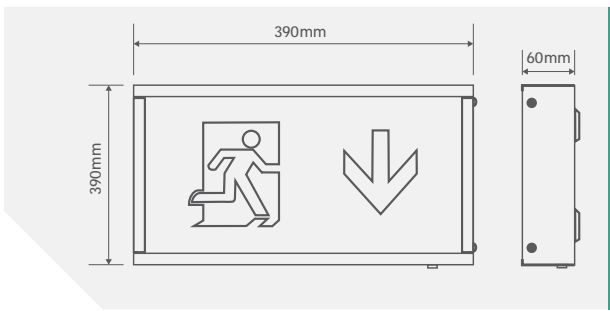


COLOUR TEMPERATURE



CODE	DESCRIPTION	TRADE (€)	PRODUCT INFO
OVEM5311BKD	4W Exit Sign - Black - Down	46.40	CCT (K) 5500K
OVEM5311BKL	4W Exit Sign - Black - Left	46.40	Lumens (Mains) 45lm
OVEM5311BKR	4W Exit Sign - Black - Right	46.40	Lumens (Emergency) 40lm
OVEM5311BKU	4W Exit Sign - Black - Up	46.40	Wattage 4W

REPLACEMENT BATTERY
OVEMB3615NCP 3.6V 1500mAh Ni-Cd Battery - Parallel See page 38



Beam Angle	100°
LED Lifetime	30,000 Hours
Voltage	220-240V ~
Frequency	50/60Hz
Operating Temp	0°C - +40°C
Viewing Distance	34 Metres

PRODUCT APPROVALS

EN 60598-2-22 EN 55015 EN 61000-3-2 EN 61000-3-3 EN 61547



Emergency LED Self-Test Maintained Box Exit Sign

AVAILABLE FINISHES



COLOUR TEMPERATURE



PRODUCT INFO

CCT (K)	5500K
Lumens (Mains)	45lm
Lumens (Emergency)	40lm
Wattage	4W
Beam Angle	100°
LED Lifetime	30,000 Hours
Voltage	220-240V ~
Frequency	50/60Hz
Operating Temp	0°C - +40°C
Viewing Distance	34 Metres

CODE

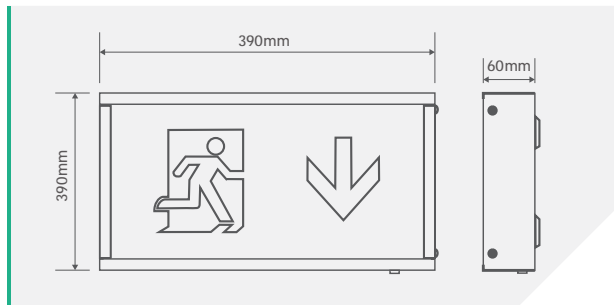
DESCRIPTION

TRADE (€)

OVEM5311WH DST	4W Self-Test Exit Sign - White - Down	67.96
OVEM5311WH LST	4W Self-Test Exit Sign - White - Left	67.96
OVEM5311WH RST	4W Self-Test Exit Sign - White - Right	67.96
OVEM5311WH UST	4W Self-Test Exit Sign - White - Up	67.96

REPLACEMENT BATTERY

OVEMB3615NCP	3.6V 1500mAh Ni-Cd Battery - Parallel	See page 38
--------------	---------------------------------------	-------------



PRODUCT APPROVALS

EN 60598-2-22 BS EN 62034 EN 55015 EN 61000-3-2 EN 61000-3-3 EN 61547

