

TECHNICAL SPECIFICATION

SILENT MV ECOWATT - MODELS 100MM TO 200MM

5 YEAR
GUARANTEE

IP44



Size

MODEL	A	ØB	C	ØD	E	F	G	H
SILMV350/100ECO	575	97	252	204	100	250	83	121
SILMV350/125ECO	462	123	252	204	100	250	83	121
SILMV500/150-160ECO*	484	147	274	221	116	250	96	134
SILMV1000/200ECO	568	198	327	264	145	340	129	164

*It provides an additional rubber gasket for installation in 160mm ducts.

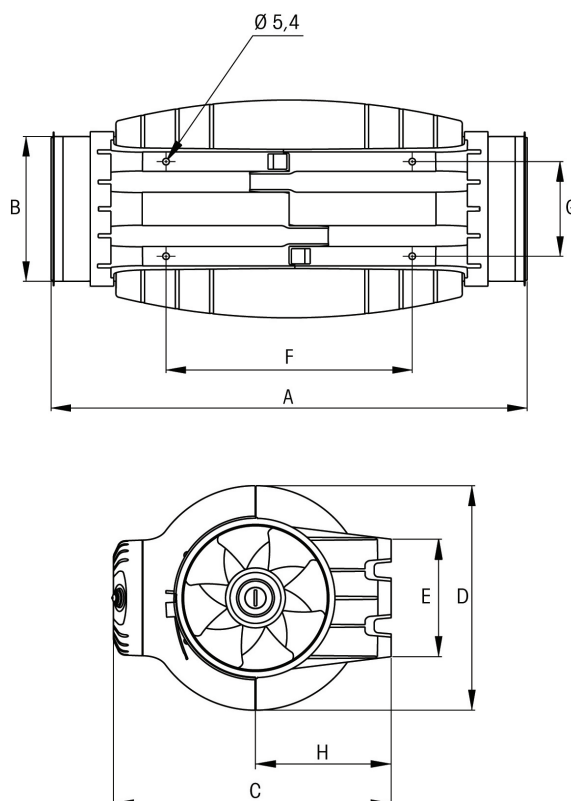
Product

Low profile "Mixed-flow" fans with sound-absorbent insulation, extremely quiet, fan casing manufactured in plastic material, with a specially designed internal skin to direct the sound waves at the right angle for them to be captured by sound-absorbent material, fitted with flexible rubber seals on the inlet and outlet to absorb vibrations, with an external connection box, a body that can be removed without dismantling the adjacent ducting and therefore facilitating any installation or maintenance.

Brushless EC motor, high efficiency and low consumption, suitable for single phase supply 230V±15%/50-60Hz, IP44, thermal overload protection.

Fan speed 100% adjustable with the potentiometer placed in the connection box or with an external control type REB-ECOWATT. Analogue input with terminals in the terminal box to control the fan with 0-10V input signal.

Models are suitable for mounting in any orientation and operation within ambient air temperatures between -20°C up to +40°C. Suitable for any kind of ventilation application where the noise level of the ventilation system is of particular importance and, due to continuous operation, a significant energy saving is desirable. It is also suitable for applications that require a Demand Controlled Ventilation System involving the use of other sensors or controls.



TECHNICAL SPECIFICATION

SILENT MV ECOWATT - MODELS 100MM TO 200MM



Low profile

The low profile of the SILENT MV ECOWATT fans makes them the most effective solution for installations where space is very limited, especially in ceiling voids.



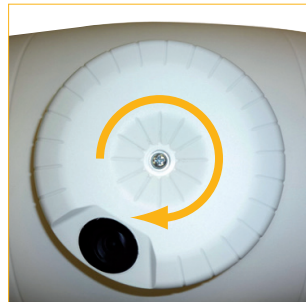
Low noise level

Sound waves produced inside the fans are directed through the perforated inner skin [1] and absorbed by the layer of sound absorbent material [2].



Easy maintenance

Bi-material support brackets, which in addition to simplifying installation, serve as joint seals.



Connection box rotated 360°

Connection box can be rotated 360°, to facilitate easy connection of the power cable.



Rubber seals

Bi-material inlet and outlet incorporating a rubber seal to facilitate installation and absorb vibrations.



Support bracket

Support bracket for installing on a wall or ceiling, incorporating twin-material support brackets for the motor section that absorbs vibration.

Easy to mount



Loosen the fixing clamps



Open clamps on both sides



Remove the fan body



Remove the terminal box lid



Carry out the wiring of the unit



Remount the fan body by tightening the clamps

TECHNICAL SPECIFICATION

SILENT MV ECOWATT - MODELS 100MM TO 200MM

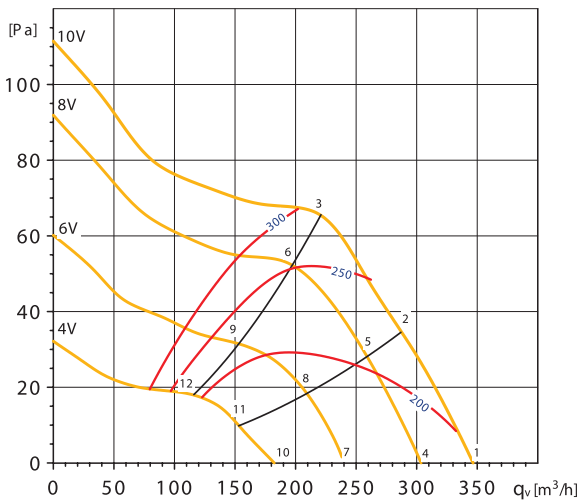
MODEL/ORDER CODE	Voltage (V)	Speed (RPM)	Watts (W)	Amps (A)	Airflow l/s (m³/h)	dB(A) @ 3m			Weight (kg)
						Inlet	Radiated	Outlet	
SILMV350/100ECO SILMV350/125ECO	10	2235	19	0.14	97 (350)	36	29	34	5.0
	8	2000	15	0.11	85 (305)	34	32	31	
	6	1580	10	0.07	67 (240)	28	28	26	
	4	1170	7	0.06	50 (180)	30	24	31	
SILMV500/150-160ECO	10	2510	39	0.25	151 (545)	44	43	33	6.0
	8	2300	32	0.23	139 (500)	41	41	30	
	6	1800	18	0.13	108 (390)	36	35	26	
	4	1320	10	0.08	67 (240)	30	31	23	
SILMV1000/200ECO	10	2470	99	0.66	278 (1000)	46	53	34	8.7
	8	2120	64	0.46	239 (860)	42	48	31	
	6	1660	34	0.25	188 (675)	37	43	30	
	4	1220	17	0.12	135 (485)	30	34	35	

TECHNICAL SPECIFICATION

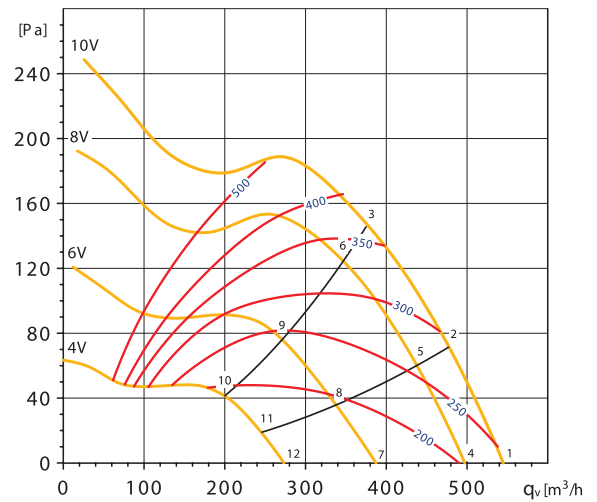
SILENT MV ECOWATT - MODELS 100MM TO 200MM

Performance Curves

SILENT MV ECOWATT 350/100
SILENT MV ECOWATT 350/125



SILENT MV ECOWATT 500/150-160



SILENT MV ECOWATT 1000/200

