

Emergency LED Non-Maintained Twin Spot

EMERGENCY

Warranty 100° 30,000 Hours

AVAILABLE FINISHES



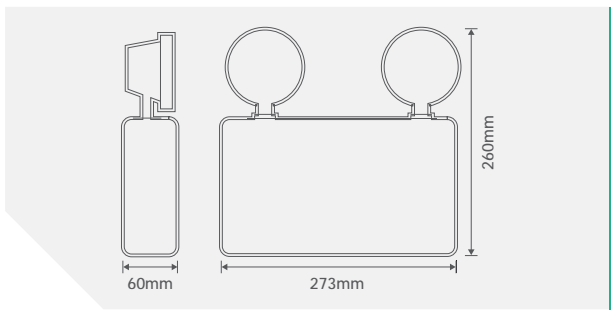
COLOUR TEMPERATURE



CODE	DESCRIPTION	TRADE (€)	PRODUCT INFO
OVEM3610WHIP20	2 X 3W Emergency LED Non-Maintained Twin Spot - IP20	54.54	CCT (K) 6000K

REPLACEMENT BATTERY	
OVEMB3618NCP-BT	3.6V 1800mAh Ni-Cd Battery - Parallel On Bracket See page 39

Lumens	300lm
Wattage	6W
Beam Angle	100°
LED Lifetime	30,000 Hours
Voltage	220-240V ~
Frequency	50/60Hz
Operating Temp	0°C - +40°C



Adjustable Spots

PRODUCT APPROVALS

EN 60598-2-22 BS EN 62034 EN 55015 EN 61000-3-2EN 61000-3-3EN 61547



Emergency LED Non-Maintained Twin Spot - IP65

AVAILABLE FINISHES



COLOUR TEMPERATURE



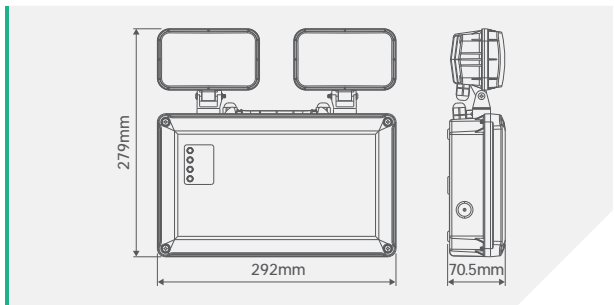
PRODUCT INFO

CCT (K)	6500K
Lumens	368lm
Wattage	6W
Beam Angle	120°
LED Lifetime	50,000 Hours
Voltage	220-240V~
Frequency	50/60Hz
Operating Temp	0°C - +40°C

CODE	DESCRIPTION	TRADE (€)
OVEM3610WH	2 X 3W Emergency LED Non-maintained Twin Spot	86.72
OVEM3610WHST	2 X 3W Emergency LED Self-Test Non-maintained Twin Spot	108.28

REPLACEMENT BATTERY

OVEMB3630NCS	3.6V 3000mAh Ni-Cd Battery - Serial	See page 39
--------------	-------------------------------------	-------------



PRODUCT APPROVALS

EN 60598-1 EN 60598-2-22 EN 55015 EN 61000-3-2 EN 61000-3-3 EN 61547

Adjustable Spots

