

Emergency LED Self-Test Non-Maintained Surface Downlights

EMERGENCY

32

Warranty 50,000 Hours



AVAILABLE FINISHES



COLOUR TEMPERATURE

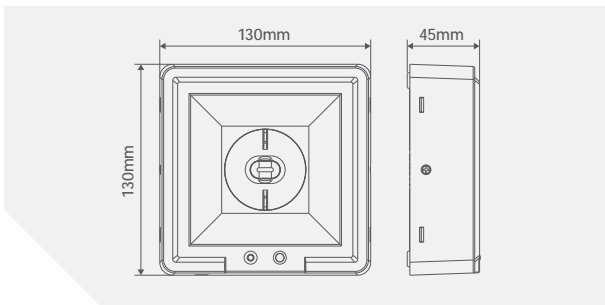


CODE	DESCRIPTION	TRADE (£)
OVEM12210WHST	2.8W Self-Test Square Surface Downlight (3 Lens) - White	57.12

PRODUCT INFO	CL WCL OAL		
	CCT (K)	6500K	
Lumens	137lm	152lm	159lm
Wattage	2.8W		
Beam Angle	38°	170°	161°
LED Lifetime	50,000 Hours		
Voltage	220-240V ~		
Frequency	50/60Hz		
Operating Temp	0°C - + 40°C		

REPLACEMENT BATTERY

OVEMB3620NCS-SC1	3.6V 2000mAh Ni-Cd Battery - 1 + 2 Serial	See page 39
------------------	---	-------------



Supplied with 3 Lens Types (Corridor, Wide Corridor & Open Area)

PRODUCT APPROVALS

EN 60598-1 EN 60598-2-22 EN 55015 EN 61000-3-2 EN 61000-3-3 EN 61547



## Emergency LED Self-Test Non-Maintained Surface Downlights

### AVAILABLE FINISHES



### COLOUR TEMPERATURE



### PRODUCT INFO

	CL	WCL	OAL
CCT (K)	6500K		
Lumens	137lm	152lm	159lm
Wattage	2.8W		
Beam Angle	38°	170°	161°
LED Lifetime	50,000 Hours		
Voltage	220-240V~		
Frequency	50/60Hz		
Operating Temp	0°C - +40°C		

### CODE

OVEM10210WHST

### DESCRIPTION

2.8W Self-Test Round Surface Downlight (3 Lens) - White

### TRADE (€)

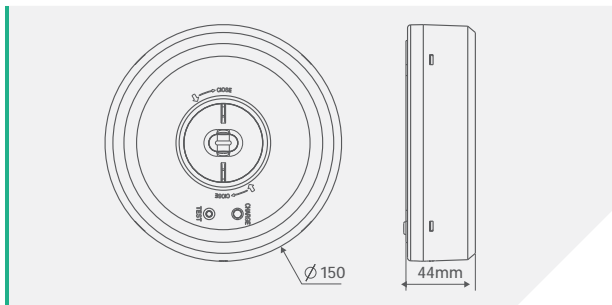
57.12

### REPLACEMENT BATTERY

OVEMB3620NCS-SC2

3.6V 2000mAh Ni-Cd Battery - 3 x 1 Serial

See page 39



### PRODUCT APPROVALS

EN 60598-1 EN 60598-2-22 EN 55015 EN 61000-3-2 EN 61000-3-3 EN 61547

Supplied with 3 Lens Types (Corridor, Wide Corridor & Open Area)

