

## Ega Mini, Communication and Red Alert Trunking

### Standards and approvals

EGA mini-trunking systems are manufactured in accordance with the requirements of BS EN 50085-1 and BS 4678 Part 4 and achieve medium impact classification.

Red Alert mini-trunking complies with the following:

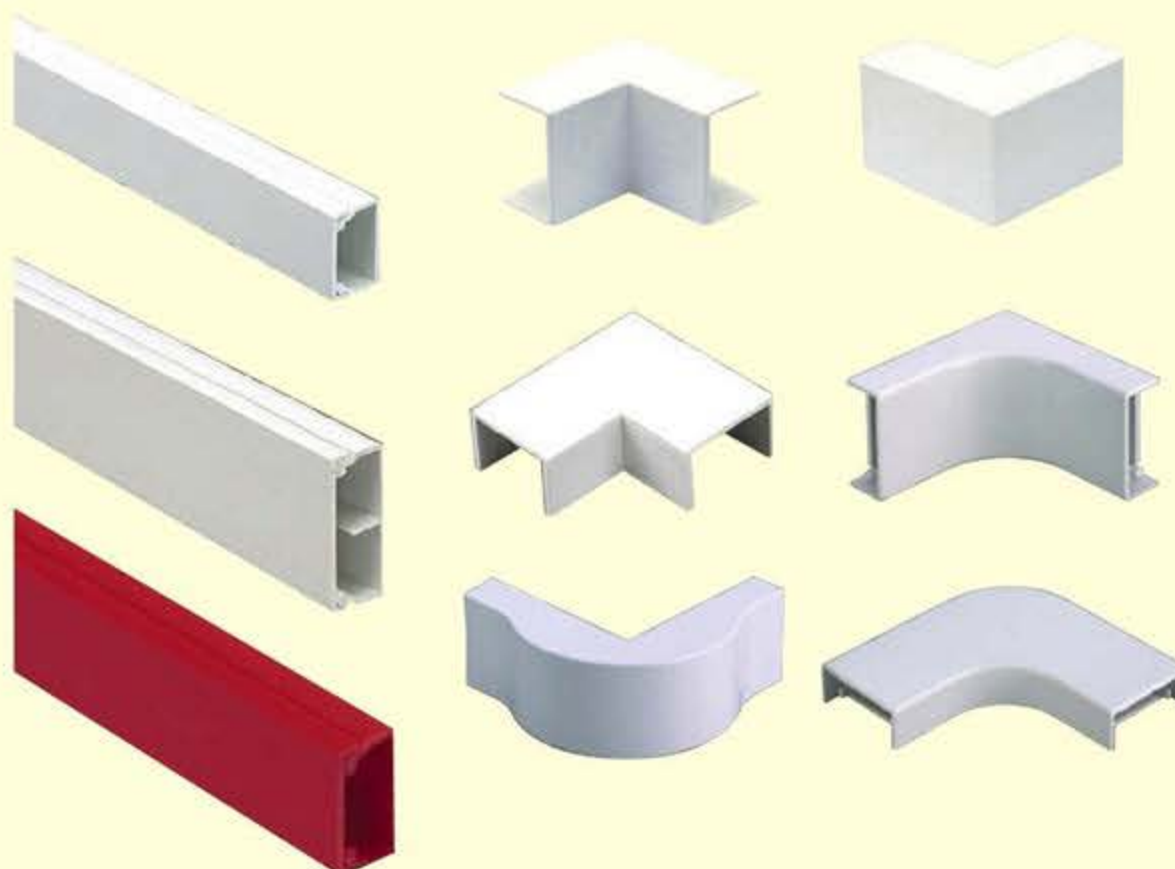
BS 5839 Fire detection and alarm systems in buildings (if used with fire product, ie. cables, cables must still be secured with metal securing clips **inside** trunking or trunking held with metal clip **around** trunking to comply with BS 5839 Part 1.)

BS 4662 Boxes for the enclosure of electrical accessories

BS EN 50085-1 and BS 4678 Part 4 Cable trunking made of insulating material.

All systems comply with all relevant requirements of the latest Edition of the IEE Wiring Regulations.

Ega Mini Trunking systems are Class 1Y for spread of flame when tested in accordance with BS 476 Part 7.



### Technical specification

#### Materials

PVCu materials used in the manufacture of MK products are self extinguishing non-flame propagating in accordance with BS 4678 Part 4.

Extrusion material has been tested by a UKAS accredited laboratory in accordance with the requirements of BS 476 Part 7 and has achieved a Class 1Y.

Moulding material has been tested by a UKAS accredited laboratory and conforms with IEC 695-2-1 at a severity of 650°C

#### IEE Wiring Regulations

Designed and manufactured to comply in all respects with BS 7671: 2008 (IEE wiring regulations 17th Edition: 2008)

#### Quality Assurance

The system is manufactured to BS EN ISO 9001

### Features

- Wide range of trunking profiles
- Red Alert profile for alarm circuits
- Wide range of integrated components maximises versatility of application
- Unobtrusive and neat
- Easy to assemble and install
- Durable and impact resistant to Medium Classification BS EN 50085-1 and BS 4678 Part 4
- Communication trunking for voice and data
- Speedfix options allow fast installation
- All extrusions manufactured from 90% recycled material\*

\* Based on 2008 consumption



## Ega Mini, Communication and Red Alert Trunking

### Description

A range of trunking systems designed for cable distribution in new or refurbishment projects in the domestic and commercial sectors.



#### Red Alert

Available in red, simplifies alarm circuit identification and is specifically designed for use with light duty mineral insulated cables.



#### Communication trunkings

Designed to take smaller diameter telecommunications and data cabling. There are three sizes available and the systems are complete with a range of fittings.



#### Speedfix trunkings

These are self-adhesive profiles used to distribute data and voice cabling.

All systems are compatible and have simple clip on lids which positively locate when hand pressure is applied.

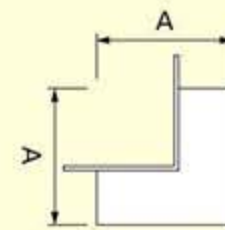


#### Circular boxes

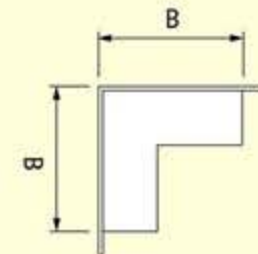
These are designed to accept standard ceiling roses, pull switches and plug-in lighting fittings. The base incorporates an earth terminal facility (order terminal separately). Red Alert bases are supplied with earth terminal. 50.8 mm fixing centres and M4 Pillar inserts. Load suspension 3 kg @ 60°C max.

### Components

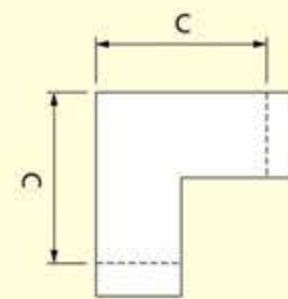
The four components shown below are fabricated sections and space must be allowed for inclusion in runs of trunking. All other components snap on over standard trunking profiles.



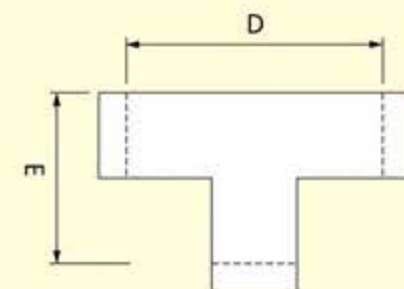
EXTERNAL CORNER (90°) YAE	
List No	A
YAE7	80mm



INTERNAL CORNER (90°) YAI	
List No	B
YAI7	50mm



FLAT ANGLE (90°) YAF	
List No	C
YAF7	100mm

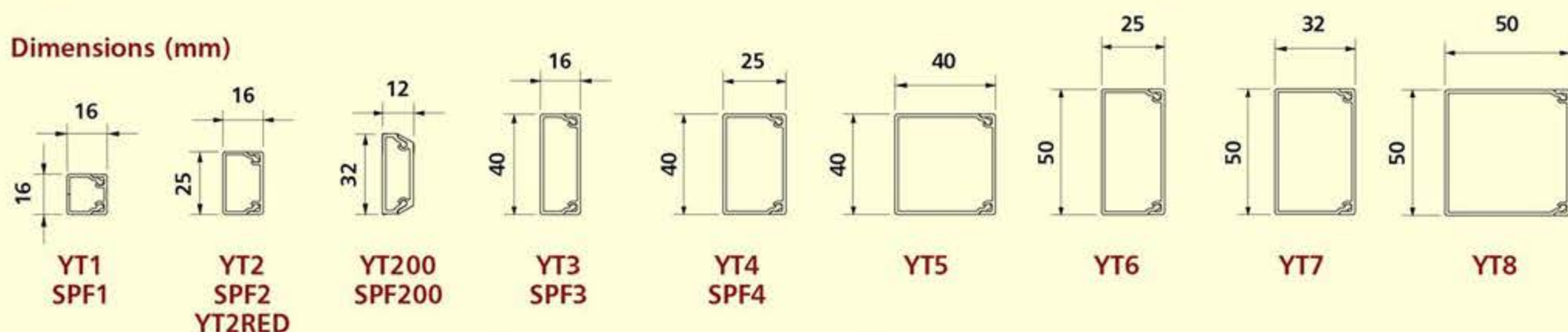


FLAT TEE (90°) YTF		
List No	D	E
YTF7	150mm	100mm



## Ega Mini, Communication and Red Alert Trunking

### Dimensions (mm)



EGA MINI AND RED ALERT CABLE CAPACITY																								
Type of Conductor	Size	Cable Factor	YT1 / SPF1	YT2 / SPF2 / YT2RED	YT200 / SPF200	YT3 / SPF3	ZT3 (each cmpt)	YT4 / SPF4	ZT4 (each cmpt)	YT5	YT6	YT7	YT8											
			Full Term CSA 100% Fill (mm <sup>2</sup> )																					
		154	276	234	458	224	795	387	1312	948	1273	2037												
			Term at 45% Fill (mm <sup>2</sup> )																					
		69	124	105	206	100	357	174	590	426	572	916												
Power Cables		Number of Cables at 45% Fill																						
PVC	1.5mm <sup>2</sup>	8.6	8	14	12	23	11	41	20	68	49	66	106											
Stranded	2.5mm <sup>2</sup>	12.6	5	9	8	16	7	28	13	46	33	45	72											
	4mm <sup>2</sup>	16.6	4	7	6	12	6	21	10	35	25	34	55											
	6mm <sup>2</sup>	21.2	3	5	4	9	4	16	8	27	20	26	43											
Data Cables		Number of Cables at 45% Fill (a) and Full Capacity (b)																						
			a	b	a	b	a	b	a	b	a	b	a	b	a	b	a	b	a	b	a	b		
Cat5E UTP	5.5mm dia.	30.2	2	5	4	9	3	7	6	15	3	7	11	26	5	12	19	43	14	31	18	42	30	67
Cat5E STP	6.0mm dia.	36.0	1	4	3	7	2	6	5	12	2	6	9	22	4	10	16	36	11	26	15	35	25	56
Cat6 UTP	6.5mm dia.	42.2	1	3	2	6	2	5	4	10	2	5	8	18	4	9	13	31	10	22	13	30	21	48
Cat6 STP	7.0mm dia.	49.0	1	3	2	5	2	4	4	9	2	4	7	16	3	7	12	26	8	19	11	25	18	41

EGA COMMUNICATION CABLE CAPACITY											
Type of Conductor	Size	Cable Factor	CMT1 / SMT1		CMT3 / SMT3		CMT4 / SMT4				
			Term CSA 100% Fill (mm <sup>2</sup> )								
			44	102	156						
			45% Fill (mm <sup>2</sup> )								
			19	45	70						
Power Cables		Number of Cables at 45% Fill									
PVC Stranded	1.5mm <sup>2</sup>	8.6	2		5		8				
	2.5mm <sup>2</sup>	12.6	1	3	5						
	4mm <sup>2</sup>	16.6	1	2	4						
	6mm <sup>2</sup>	21.2	0	2	3						
Data Cables		Number of Cables at 45% Fill (a) and Full Capacity (b)									
			a	b	a	b	a	b			
Cat5E UTP	5.5mm dia.	30.2	0	1	1	3	2	5			
Cat5E STP	6.0mm dia.	36.0	0	1	1	2	1	4			
Cat6 UTP	6.5mm dia.	42.2	0	1	1	2	1	3			
Cat6 STP	7.0mm dia.	49.0	0	0	0	2	1	3			

### Dimensions (mm)

