

technical hotline +44 (0)1268 563720

perimeter and distribution | cable management



range introduction

Prestige 3D Compact completes the 3D offering with all the 3D benefits of faster installation, Cat 5e, 6 and 7 compliance and improved aesthetics, but in a smaller footprint & ideal for confined locations. The new concept uses the full trunking depth with a sliding open box (frame) principle to ease power and data connections.

features and benefits

- **Faster installation – 40% quicker than Prestige Plus**
- **Cat 5e, 6 and 7 compliant flexible Internal and External Corners, moulded Flat Angles and Tees**
- **Patented unique 'open box' mounting frames combined with divider knockouts to provide unhindered tool-free cable entry**
- **Innovative patented External Corner Data Sweep allows continuous cable capacity and maintains the Compact minimum trunking depth**
- **Patented hinged lid to support cables during installation**
- **Pre-punched bases**
- **Curved outer covers that complement MK Logic Plus accessories**
- **All extrusions manufactured from 90% recycled material***
- **10 Year guarantee**

* Based on 2008 consumption.

END CAPS

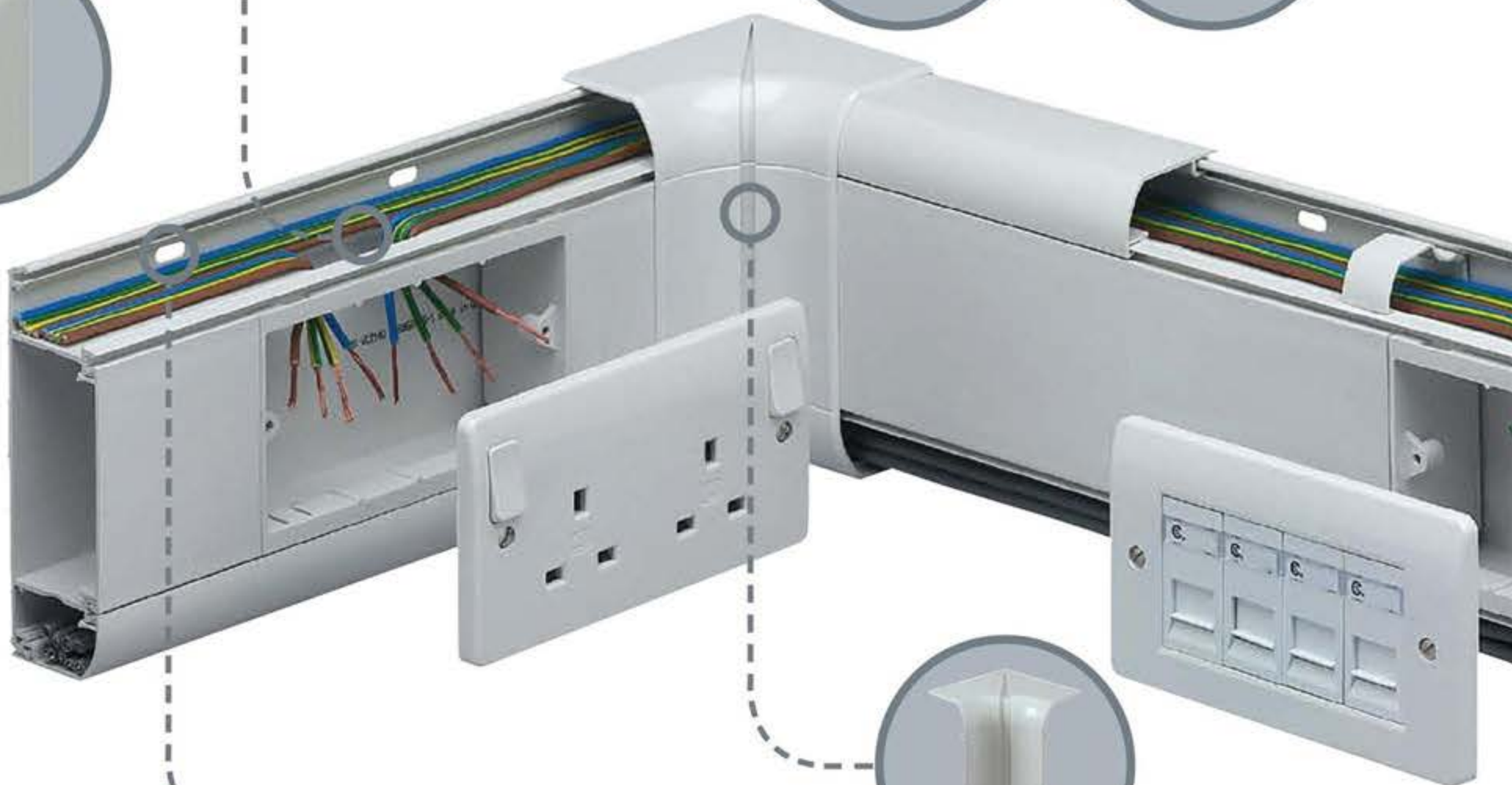
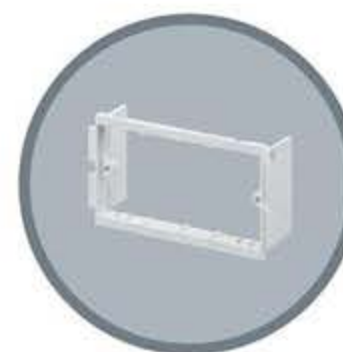
Neatly finishes runs of trunking. Moulding provides internal location for extra security from optional screw fixing.

**DIVIDER KNOCKOUTS**

Wiring is also made easy with 50mm x 21mm knockouts at 100mm intervals along compartment dividers, providing instant access to mounting boxes with no drilling or cutting.

MOUNTING FRAMES

1 gang and 2 gang 'open box' mounting frames use the full trunking depth allowing ease of connection to power and data devices. The open top/bottom allows unhindered tool free cable entry through the trunking compartment divider knockout. The frame can slide to align with appropriate knockout.

**PRE-PUNCHED BASES**

Wall fixing is simplified by the inclusion of pre-punched oval holes at 100mm intervals, ensures no drilling is required.

**INTERNAL CORNER**

Designed to accommodate irregularities in the squareness of the corner with a +/- 5 degree flexibility range. The centre split gives maximum adjustment. Covers are radiused and compatible with Cat 5e, 6 and 7 data cabling requirements.

SCREW FIXING KIT

Where higher security is required, all fitting covers can be secured using the Screw Fixing Kit. The Screw Fixing Kit is self-locating on the styling line of the system and has a cover to hide the screw head.



technical hotline +44 (0)1268 563720

perimeter and distribution | cable management

FLAT TEES AND ANGLES

The ingenuity of the patented tee design allows a variety of cable drop permutations. The tee's bridge can be fitted in two positions increasing the versatility of cable runs whilst maintaining the correct separation and Cat 5e, 6 and 7 compatibility. Screw fixing hole locations have a protective shroud to prevent the chafing of cables. Both the Flat Angle and Tee compartment divider walls are curved (Cat 5e, 6 and 7 compliant) to allow data cables to lay in with no loss of capacity. The covers are one piece and clip securely into place, bases are also single mouldings giving more strength than an equivalent fabrication. Joint covers are not required where the tee/angle meets the trunking as the moulded covers now overlap the junction.



ELECTROMAGNETIC INTERFERENCE

Additional data cable/signal protection is provided by fitting screening divider VCT30.

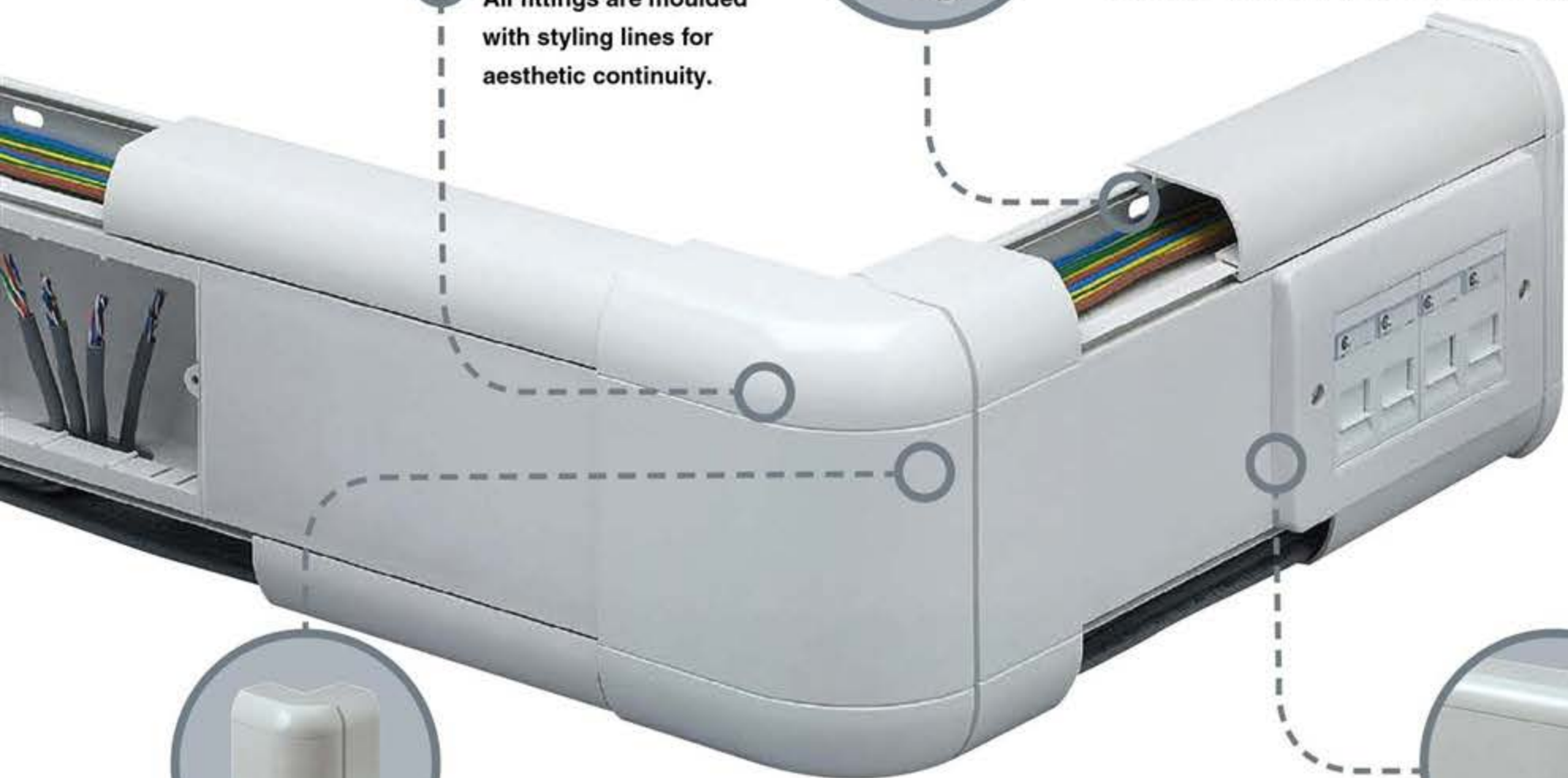


STYLING LINES

All fittings are moulded with styling lines for aesthetic continuity.

TRUNKING HINGED LIDS

A patented two stage location gives a hinge effect, enabling cables to be supported by the trunking cover during the installation. Cover design avoids dust traps and makes cleaning easier and continues the aesthetics of the trunking.



EXTERNAL CORNER

External Corners accommodate +/- 5 degree irregularities in the squareness of a corner. Corners come ready assembled to click into place and offset side split hides the effect of the split line for aesthetics.



DATA SWEEP

The unique patented Data Sweep provides Cat 5e, 6 and 7 data cabling compliance, with no loss of capacity and without the need for bulky protruding corner covers.

CHOICE OF TWO PROFILES

140 x 45mm and 160 x 45mm choice of profile to suit more confined locations and installation needs around the wall and below the window.

