

END CAPS

Neatly finishes runs of trunking. (Moulding provides internal location for extra security from optional screw fixing).

**DIVIDER KNOCKOUTS**

Wiring is also made easy with 50 x 21mm knockouts at 100mm intervals along compartment dividers, providing instant access to mounting boxes, with no drilling or cutting.

**BACK BOXES**

The 1 and 2 gang 35mm and 45mm deep back boxes, 3 gang 45mm deep back box and 1 and 2 gang 40mm frames ensure Cat 5e, 6 and 7 compliance and ease of connection to power and data devices. The open top/bottom allows unhindered tool free cable entry, through the trunking compartment divider knockout. The back box can slide to align with appropriate knockout (see technical pages for restrictions on use).

**PART M**

Compliance to Part M building regulations can be achieved using Part M flange, charcoal devices or charcoal straight cover.

**PRE-PUNCHED BASES**

Wall fixing is simplified by the inclusion of pre-punched oval holes at 100mm intervals, ensures no drilling is required.

**INTERNAL CORNER**

Designed to accommodate irregularities in the squareness of the corner with a +/- 5 degrees flexibility range. The centre split gives maximum adjustment. Covers are radiused and compatible with Cat 5e, 6 and 7 data cabling requirements.

SCREW FIXING KIT

Where higher security is required, e.g. schools, all fitting covers can be secured using the Screw Fixing Kit. The Screw Fixing Kit is self-locating on the styling line of the system and has a cover to hide the screw head.

technical hotline +44 (0)1268 563720

perimeter and distribution | cable management

FLAT TEES AND ANGLES

The ingenuity of the patented tee design allows a variety of cable drop permutations. The tee's bridge can be fitted in two positions increasing the versatility of cable runs whilst maintaining the correct segregation and Cat 5e, 6 and 7 compliance. Screw fixing hole locations have a protective shroud to prevent the chafing of cables. Both the Flat Angle and Tee compartment divider walls are curved (Cat 5e, 6 and 7 compliant) to allow data cables to lay in with no loss of capacity. The covers are one piece and clip securely into place, and the base is also a single moulded item, giving more strength than fabrication. Joint covers are not required where the tee/angle meets the trunking as the moulded covers now overlap the junction.



ELECTROMAGNETIC INTERFERENCE

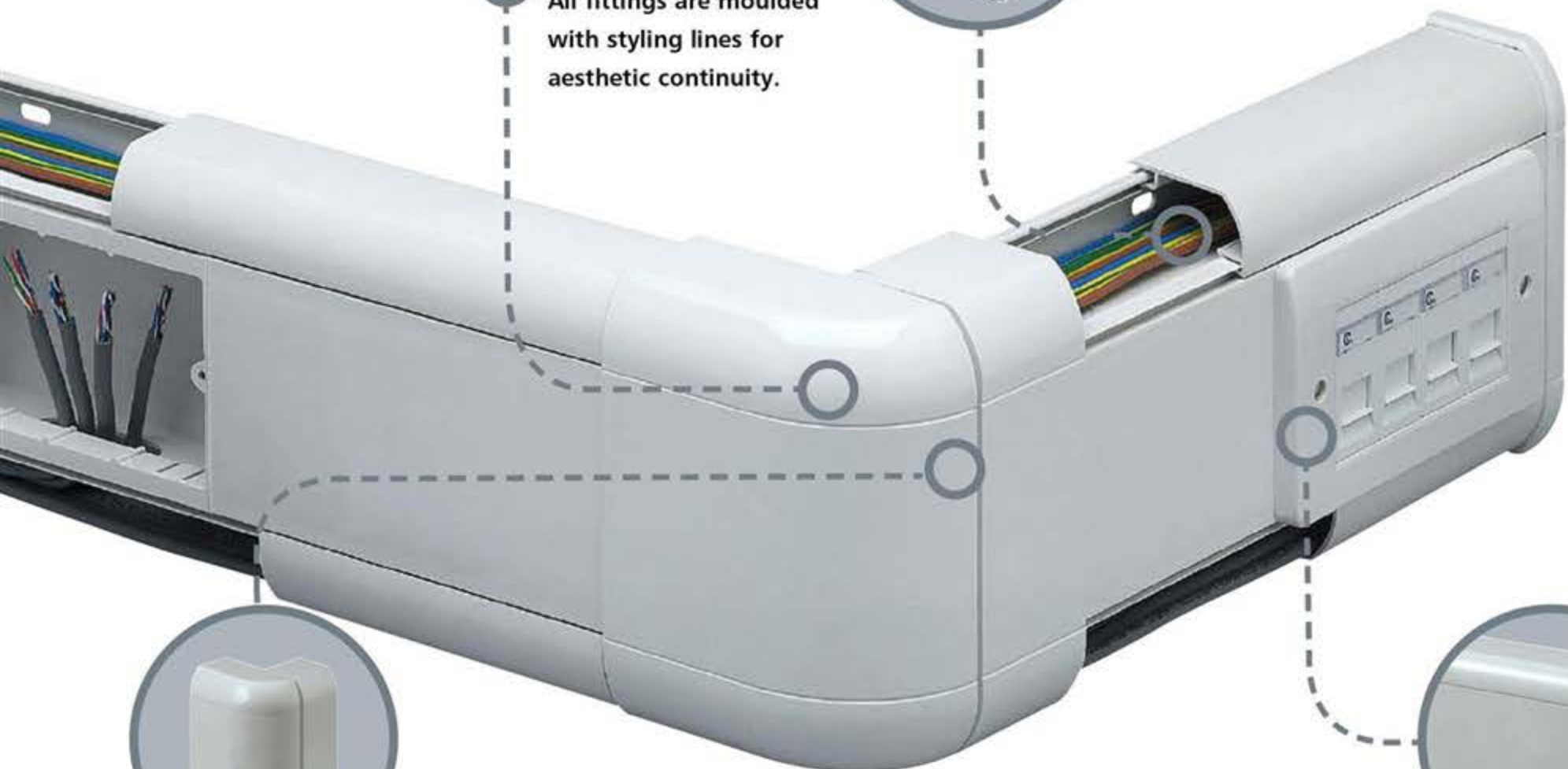
Additional data cable/signal protection is provided by fitting screening divider VP30.



TRUNKING HINGE LIDS

A two stage location gives a hinge effect, enabling cables to be supported by the trunking cover during the installation. Cover design avoids dust traps and makes cleaning easier, and continues the aesthetics of the trunking.

STYLING LINES
All fittings are moulded with styling lines for aesthetic continuity.



EXTERNAL CORNER

External Corners accommodate +/- 5 degree irregularities in the squareness of a corner. Corners come ready assembled to click into place, and offset side splits hide the effect of the split line for aesthetics.

DATA SWEEP

The unique patented Data Sweep provides Cat 5e, 6 and 7 data cabling compliance, with no loss of capacity and without the need for bulky, protruding corner covers.

CHOICE OF TWO PROFILES

Available in Dado and Skirting profiles to suit most installations. Available in white, charcoal and choice of RAL colours*.

