

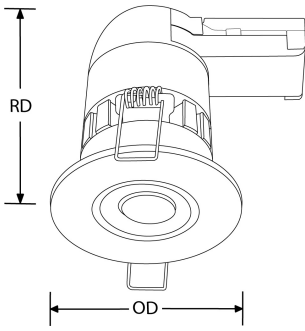


Product Description: E6™ PRO Fixed 6W Dimmable Fire Rated Downlight

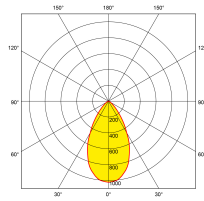
The E6™ PRO is a revolution in LED downlight performance and installation. Utilising the unique RapidWire connection system, the whole product can be fully wired and installed in a matter of seconds. The use of latching terminals provides the security of screw terminations for both solid and stranded core cables and can be wired even faster than standard push fits. The removable connector allows full circuit insulation resistance testing without risking any damage to the downlight, which can be simply plugged in afterwards.

SKU Code	Wattage	Colour	Lumens	Lumens/Watt	Beam Angle	SKU Type
EN-DE6PRO/30	6	3000	580	97	60	Triac Dimmable
EN-DE6PRO/40	6	4000	620	104	60	Triac Dimmable
EN-DE6PROEM/30	6	3000	580	97	60	Emergency
EN-DE6PROEM/40	6	4000	620	104	60	Emergency

Line Drawing



Polar Curve



Color

Product Features:

- Quick, easy and fully tool-free installation
- Plug in connection system for first fix and insulation resistance testing
- High performance up to 103lm/W
- EnFiniti™ edge-to-edge multifaceted polycarbonate lens for low glare and halogen like appearance
- Wide 60° beam angle delivers increased light distribution
- Fibre based insulation coverable - up to 300mm
- Super slim interchangeable IP65 bezels provide a high end sleek finish
- Compatible with Aurora FastRfix™ connector
- Tested in 30, 60 and 90-minute fire rated ceilings
- SEAI: EN-DE6PRO/30 - LIG84654
- SEAI: EN-DE6PRO/40 - LIG84655
- 5 year warranty

Product Specs:

Input Voltage	220~240V AC	Input Frequency	50/60HZ
Power Factor	0.8	IP Rating	IP65
Lifetime L70 (hrs)	50000	Lamp Base	None
Height (mm)	100	Overall Diameter (mm)	85
Weight (Kg)	0.296	Cutout Diameter (mm)	70
Product Type	Downlights, Fire-Rated Downlight	Operating Temp. (Min) °C	-20°C
Operating Temp. (Max) °C	45°C		

Compliance & Approvals:



Warranty:

This product has a warranty period of 5 Years. Warranties may be available on certain products as indicated in the product description. Warranties are valid from the date of purchase. The warranty is invalid in the case of improper use, installation, tampering, removal of the Q.C. date label or installation in an improper working environment or installation. Should this product fail during the warranty period it will be replaced free of charge, subject to the correct installation of the original product and subsequent return of the faulty unit. Aurora does not accept responsibility for any installation costs associated with the replacement of this product and Aurora reserves the right to alter specifications without prior notice.