

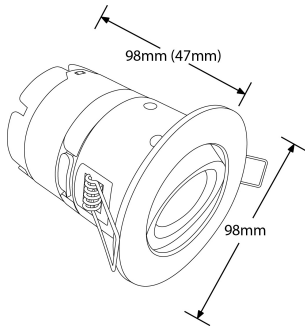


Product Description: mPro™ Adjustable IP65 Dimmable Fire Rated Downlight

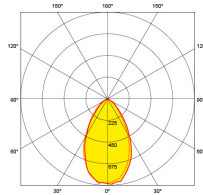
IP65, Adjustable, integrated, fire rated 7W LED downlight with unique convertible design to fit ceiling voids as shallow as 47mm. Incorporated miniaturised NanoDrive™ power supply. Available in 2700K, 3000K and 4000K, mPro™ delivers up to 94lm/W making it the most efficient fire rated downlight on the market. Available in White, Matt White, Polished Chrome and Satin Nickel. Fitted with 60° lens. Insulation cover and FastRFix™ rapid install system connector included. Rated to 30, 60 and 90 minute fire ceilings. Class 2 rated with floating earth terminal. Complies with BS EN 1365-2: 2014 (fire resistance), BS EN ISO 10140-2: 2010 & BS EN ISO 10140-3: 2010 + A1: 2015 (acoustics).

SKU Code	Wattage	Colour	Lumens	Lumens/Watt	Beam Angle	Finish Colour	SKU Type
AU-MPRO2MW/27	7	2700	600	86	60	Matt White	Triac Dimmable
AU-MPRO2MW/30	7	3000	630	90	60	Matt White	Triac Dimmable
AU-MPRO2MW/40	7	4000	660	95	60	Matt White	Triac Dimmable
AU-MPRO2PC/27	7	2700	600	86	60	Polished Chrome	Triac Dimmable
AU-MPRO2PC/30	7	3000	630	90	60	Polished Chrome	Triac Dimmable
AU-MPRO2PC/40	7	4000	660	95	60	Polished Chrome	Triac Dimmable
AU-MPRO2SN/27	7	2700	600	86	60	Satin Nickel	Triac Dimmable
AU-MPRO2SN/30	7	3000	630	90	60	Satin Nickel	Triac Dimmable
AU-MPRO2SN/40	7	4000	660	95	60	Satin Nickel	Triac Dimmable
AU-MPRO2W/27	7	2700	600	86	60	White	Triac Dimmable
AU-MPRO2W/30	7	3000	630	90	60	White	Triac Dimmable
AU-MPRO2W/40	7	4000	660	95	60	White	Triac Dimmable

Line Drawing



Polar Curve



Color

Product Features:

- Patented LEDchroic™ lens provides halogen appearance with LED efficiency, anti-glare and precise beam control
- FastRFix™ rapid install system connector included
- IC cap included
- ErP compliant - High colour rendering index (Ra) >80
- Rated to 30, 60 & 90 minute fire ceilings
- Separate emergency pack available - AU-FRLM10EM
- BS EN 1365-2: 2014 (Fire resistance)
- BS EN ISO 10140-2: 2010 & BS EN ISO 10140-3: 2010 + A1: 2015 (Acoustics)
- (L70) at a 40,000 hour lifetime
- 5 Year Warranty – see auroralighting.com for details

Product Specs:

Input Voltage	220~240V AC	Input Frequency	50/60HZ
Power Factor	0.85	IP Rating	IP65
Lifetime L70 (hrs)	40000	Height (mm)	98
Overall Diameter (mm)	102	Weight (Kg)	0.524
Cutout Diameter (mm)	85	Product Type	Downlights
Operating Temp. (Min) °C	-20°C	Operating Temp. (Max) °C	25°C

Compliance & Approvals:



Warranty:

This product has a warranty period of 5 Years. Warranties may be available on certain products as indicated in the product description. Warranties are valid from the date of purchase. The warranty is invalid in the case of improper use, installation, tampering, removal of the Q.C. date label or installation in an improper working environment or installation. Should this product fail during the warranty period it will be replaced free of charge, subject to the correct installation of the original product and subsequent return of the faulty unit. Aurora does not accept responsibility for any installation costs associated with the replacement of this product and Aurora reserves the right to alter specifications without prior notice.