

DOWNLIGHTS

ROBUS®

ULTIMUM FIRE RATED DOWNLIGHT IN FIXED & SELECTABLE CCT's PLUS A WIFI CONTROLLABLE & TUNABLE VERSION USING THE ROBUS CONNECT APP

The Ultimium is "dimmable as standard", Low Glare, IP65 and Fire rated. The range includes 5W, with higher light output than halogen or LED "lamp in a can", 7W for areas that need that little extra light, in fixed or selectable CCT for an alternative CCT where use of the lit space might change. Ultimate controllability is provided by the Robus Connect Wi-Fi 7W version where tuneable CCT, dim level, grouping and scene settings can be achieved. A separate Product Information Document is available for this version with performance data included overleaf



Applications:

- All rooms in the home
- Retail shops
- Complimentary lighting in offices
- Hotels & Function rooms
- Restaurants, Bars, Clubs and other entertainment venues
- Schools
- Wet rooms and wash down areas

Construction:

Polycarbonate trim and LEDchroic lens optic
Die-cast aluminium heatsink
Pressed steel and polycarbonate body
Spring steel ceiling fixing springs with PVC protectors

Features and Benefits:

- The range provides a choice of lumen package for a "one for one" retro-fit replacement of halogen or, with higher output, quantity optimisation for new installations

The Ultimium has a choice of fixed or selectable Colour Temperature depending on whether the use of the lit space may change in the future

[\[A Robus Connect 7W Wi-Fi controllable version is also available\]](#)
- The fitting utilises strong padded spring-steel ceiling retaining clips which pull the fitting tight to the ceiling with no unsightly gaps

A traditional Aluminium heat sink provides excellent heat management for cool running and long LED life

White polycarbonate trim is standard with a choice of accessory trim colours to match or contrast decor

The Robus precision LEDChroic lens provides a low glare, wide beam angle output with gentle edge fade for superb area coverage and even uniformity without dark areas
- It has a very low profile body design so is ideal for installations with shallow void spaces or where other services or ducting are installed
- It has a 3 pole connector with two push-in spring terminals per pole and cable restraint so provides:
 - A safe, fast and simple push-in connection of the supply
 - No hot spots or failures due to poor or loose connections
 - Loop in/out facility to subsequent fittings
- The Ultimium is IP65, Fire, Moisture and Acoustic rating tested which means it complies with the Buildings Regulations for domestic or commercial installations and the same fitting can be used throughout the building, including in wet areas, for a common aesthetic
- The design utilises high quality, independently tested LM80 SMD or COB LED's which show the fittings to have:

High initial light output comparable to LV or mains voltage Halogen for maximum fitting utilisation

Low lumen depreciation over time for long effective Rated LED life without inconvenient lamp changes

Low Colour Temperature and CRI shift for life long light uniformity and quality
- A high efficiency integral State of the Art electronic dimmable driver is used which is compatible with many approved trailing and leading edge dimmers for effective mood or task lighting control.

It also provides a stable drive current for optimum LED light output and long life
- Using Solid State technology with no heat filaments or electrodes means failures don't occur due to cold to hot to cold temperature cycles or building vibrations

It also provides "Instant On" so can be used with PIR's, microwaves or photocells

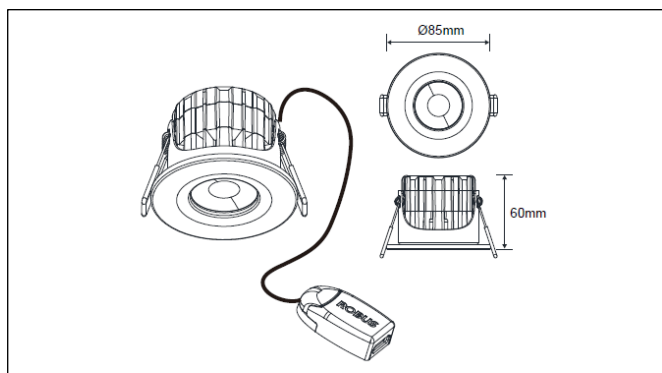
DOWNLIGHTS

ROBUS®

ULTIMUM FIRE RATED DOWNLIGHT IN FIXED & SELECTABLE CCT PLUS A WIFI CONTROLLABLE & TUNABLE VERSION USING THE ROBUS CONNECT APP

ROBUS CONNECT WIFI
CONTROLLABLE VERSION

| Product Code: | RUL0530-01 | RUL0540-01 | RUL05X0-01 | RUL0730-01 | RUL0740-01 | RUL07X0-01 | RUL070WIFI-01 |
|-----------------------------|----------------|----------------|-------------------|----------------|----------------|-------------------|----------------|
| Comparable to: | 50W Mains | 50W Mains | 50w Mains | 50W LV halogen | 50W LV halogen | 50W LV halogen | 50W LV Halogen |
| Total Power (W): | 4.7 | 4.7 | 4.7/4.6/4.9 | 6.7 | 6.7 | 6.8/6.6/6.8 | 7.1 - 7.5 |
| Total Light Output (lm): | 410 | 440 | 400/450/420 | 630 | 660 | 520/610/550 | 540 - 630 |
| Efficacy (lm / cctW): | 87 | 94 | 86/99/88 | 94 | 99 | 77/94/83 | 73 - 90 |
| Rated LED Life (hrs): | 30,000 | 30,000 | 30,000 | 30,000 | 30,000 | 30,000 | 30,000 |
| Warranty (yrs): | 3 | 3 | 3 | 3 | 3 | 3 | 3 |
| Illuminance at 1m (lx): | 390 | 420 | 280/310/290 | 750 | 770 | 670/700/570 | 480 - 570 |
| Beam Angle (deg): | 60 | 60 | 60 | 60 | 60 | 60 | 60 |
| CCT (K): | 3,000 | 4,000 | 3,000/4,000/6,000 | 3,000 | 4,000 | 3,000/4,000/6,000 | 2,700 - 6,500 |
| CRI (Ra): | 80 | 80 | 80 | 80 | 80 | 80 | 80 |
| Ingress Protection (IP): | 65 | 65 | 65 | 65 | 65 | 65 | 65 |
| Operating Temperature (°C): | -20 ≤ Ta ≤ +40 | -20 ≤ Ta ≤ +40 | -20 ≤ Ta ≤ +40 | -20 ≤ Ta ≤ +40 | -20 ≤ Ta ≤ +40 | -20 ≤ Ta ≤ +40 | -20 ≤ Ta ≤ +40 |
| Power Factor (PF): | 0.9 | 0.9 | 0.9 | 0.9 | 0.9 | 0.9 | 0.9 |
| Diameter (mm): | 85 | 85 | 85 | 85 | 85 | 85 | 85 |
| Cut Out (mm): | 72 | 72 | 72 | 72 | 72 | 72 | 72 |
| Depth (mm): | 60 | 60 | 60 | 60 | 60 | 60 | 60 |
| Projection (mm): | 3 | 3 | 3 | 3 | 3 | 3 | 4 |
| Box Qty: | 1 | 1 | 1 | 1 | 1 | 1 | 1 |
| Weight (kg): | 0.23 | 0.23 | 0.23 | 0.25 | 0.25 | 0.25 | 0.28 |



Accessories:

| | |
|-------------------|------------------------------|
| RULTRIM-03 | ULTIMUM TRIM, CHROME |
| RULTRIM-10 | ULTIMUM TRIM, MATTE BLACK |
| RULTRIM-13 | ULTIMUM TRIM, BRUSHED CHROME |

Standards & Approvals:

Complies with: EN 60598-1, EN 60598-2-2, EN 62471, EN 62493, EN 55015, EN 61000-3-2, EN 61000-3-3, BS 476-21

Cone Illuminance Diagram:

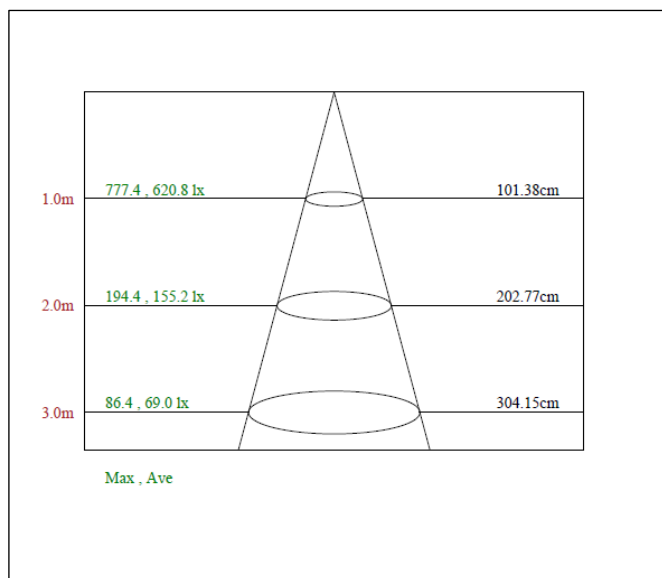
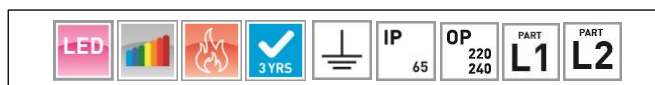


Diagram for RUL0740-01 in 4,000K. Other diagrams available on request



Polar Intensity Diagram:

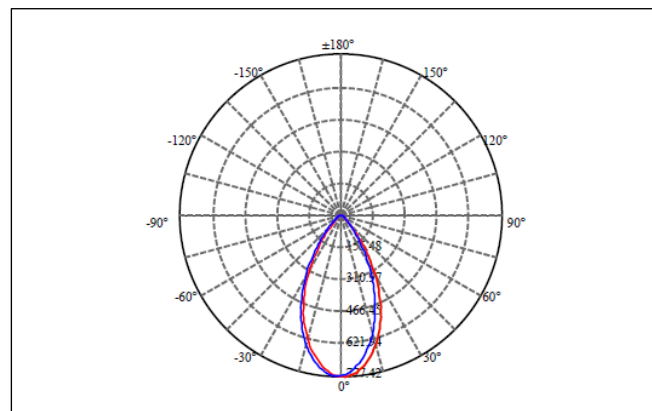


Diagram for RUL0740-01 in 4,000K. Other diagrams available on request