

New Media Brush Module



New Media Brush Modules



The New Media Modules offer a flexible build solution to a host of individual power socket outlet requirements. The clip fit grid modules are simple to install in their blank mounting plates.

New Media Brush Module

Product Range

New Media Brush Module

MM550**

Brush Module



MM550WH



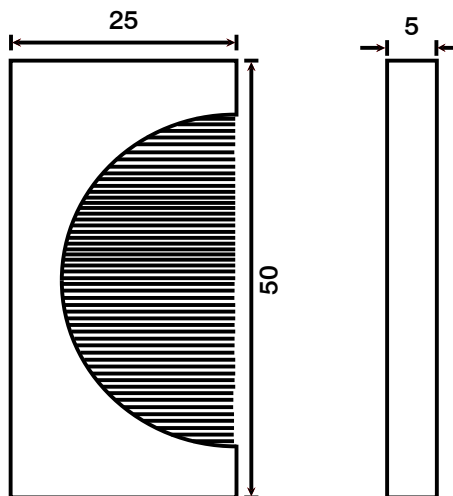
MM550BK



MM550HWHH

Product Dimensional Drawings (mm)

MM550



Errors & Omissions excluded. Specification is subject to change without notice. ** Denotes Module Colour

New Media Brush Module

Technical Specification

New Media Brush Module

Material Composition	Module: Polycarbonate Brushes: Nylon
Back Box Depth	16mm - 47mm (Dependant on Mounting Plate Used)
Module Size	Single Width (25mm x 50mm)
Modular	Yes
Warranty	1 Year
IP Rating	IP20
Operational Temperature	-5° to +40°C
Standards	BS 5733:1995 (where applicable)

Additional Information

Standard Euro Module Size.

Ensure that the mains supply is isolated before commencing installation and refer to the circuit diagram with the relevant product.

Bare earth cables must always be covered with appropriate sleeving and wired to the earth terminal.



DECLARATION OF CONFORMITY

1. *Issuer Name* Scolmore International Limited
2. *Issuer Address* 1 Scolmore Park, Landsberg,
Lichfield Road Industrial Estate,
Tamworth, Staffordshire, B79 7XB
3. *Object(s) of Declaration* New Media Range
 - a. *Group* Brush Module
 - b. *Model No.* MM550
4. *The object of the declaration described above is in conformity with the requirements of the following Legislations:*
5. *All products contained within the aforementioned comply with the relevant standards and requirements listed below.*

BS 5733 : 1995 (where applicable)

6. *I hereby declare that the equipment named above has been designed to comply with the relevant sections of the above referenced specifications. The unit complies with all applicable Essential Requirements of the Directives.*

In conjunction with the above all manufacture and process controls are in accordance with ISO 9001:2008

Signed, for and on behalf of: Scolmore International Limited

Steven Bettson BSc - Senior Technical Support Engineer

CE 15