



Available Rim Finishes: White (supplied), Chrome, Satin Chrome, Brass, Antique Brass, Stainless Steel & Black

Read these instructions before commencing installation & retain them for future reference.

IP65 **240V 7W**

Important Information

It is recommended that luminaires are installed by a qualified electrician ensuring the installation complies to current IEE wiring regulations & local building control. These products are designed for connection to a 230-240V mains supply. Any broken or damaged parts should be replaced as soon as possible. KSR will not accept responsibility for any claims arising from a poor installation.

Important User Advice

Always switch off mains supply before servicing. This luminaire is suitable for indoor use only and should not be fitted to damp or wet surfaces such as freshly plastered or painted ceilings.

Installation Procedure

KSR recommends that a sample hole is cut in some scrap material to familiarise yourself with the installation. Once you are completely satisfied: Locate the area's suitable to install these luminaires. Cut a 70-72mm round hole in the ceiling and ensure sufficient ceiling void without infringing on joists, water pipes or electrical cables. Connect the mains supply to the connector block (Blue - Neutral, Yellow/Green - Earth and Brown - Live). The terminal allows mains loop in/loop out connections, if not looping through either of the L, E & N inputs can be used. Install the terminal cover/strain relief by pushing down until it grips the outer cable insulation.. Select the preferred colour temperature by sliding the selector switch to either WW - Warm White, NW - Neutral White or CW - Cool White. This must be done before the power is switched on to the luminaire, changing the CCT while the fitting is illuminated may damage the LED COB. Press springs back and place luminaire body into aperture. If you are installing one of the KSR detachable rims remove the standard white rim by pulling the trim off of the main fitting, do not twist the trim. Attach new trim by pushing and snapping it into place. This downlight can be covered with mineral wool insulation.

*Please note: Depending on the amount of Qr10 fittings on a circuit you may have to upgrade the breaker to a 'C' or 'D' type due to the way electronic LED drivers start up with higher inrush currents compared to halogen lighting. If dimming see the recommended dimmers list over the page or visit www.ksrlighting.com for information on the latest compatible dimmers any other questions please call our sales office on 023 92 674343.

ØRim Size	ØCut out	Void Depth Req'd
85mm	70-72mm	100mm

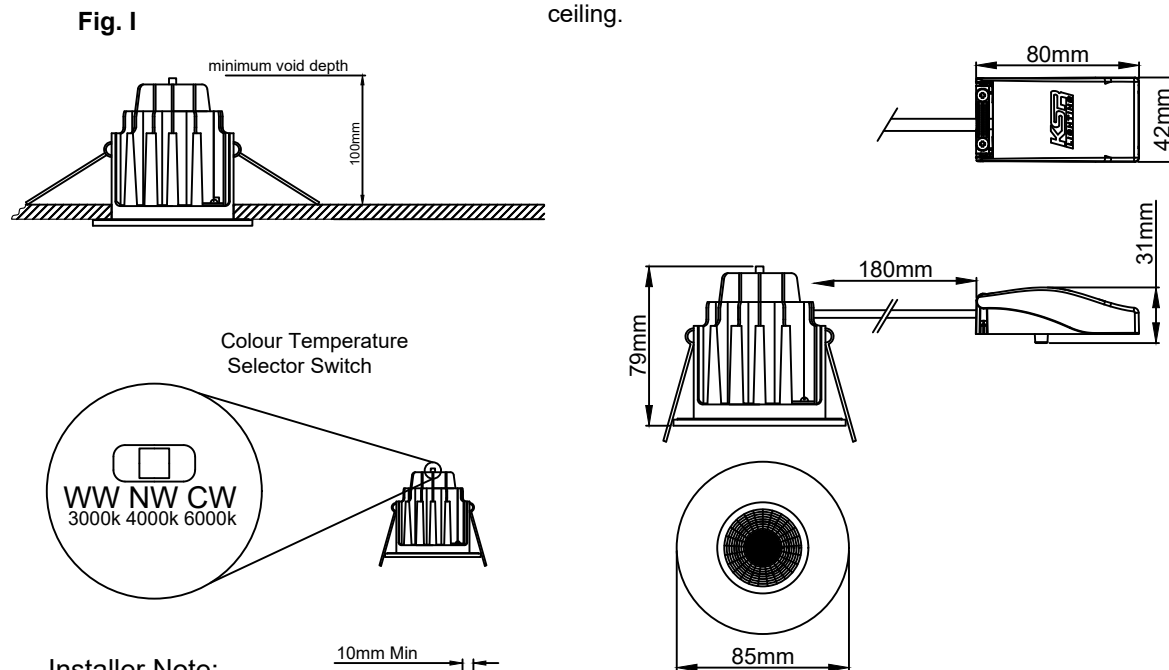
WARNING:
Do not change the CCT of this downlight with the product switched on, all changes must be done with the power off.

Part "B"
 BS476 Part 21

Part "E"
(Acoustics)

Part "C"
Compliant
Stops moisture & air flow through the luminaire

Luminaire suitable for all timber joist ceiling variants up to 90 minutes.
30, 60 and 90 Minute fire rating
Approved to:- **BS476 Part 21**
Building Regulations Document B2 determines the ceiling type that is required depending on the type of building under construction. The ceiling types are designed to provide protection to the floor above in the case of fire for a duration as specified by the document. Using KSR's Fire-Rated downlights ensures that this specification is maintained even when downlights are installed in the ceiling.



Installer Note:
To ensure a good connection strip back 10mm of insulation and push the cable firmly into the terminal block

CCT Selection	Lumen Performance
WW - 3000K	577 Lumens
NW - 4000K	652 Lumens
CW - 6000K	577 Lumens



KSR Lighting Aftersales: 023 92 674343
E-mail: aftersales@ksrlighting.com