

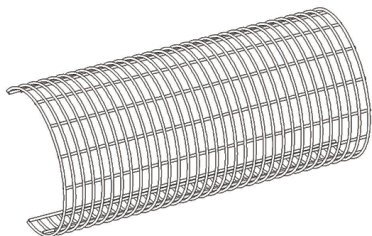
11. Tighten the gland/nut assemblies.
12. Secure the cable between the two heaters. Make sure that the cable does not rest on top of the heater.
13. Repeat for each additional heater.
14. A **maximum of 1000 Watts total** may be connected together. Add together the total wattage of all interconnected heaters and ensure the maximum is not exceeded.
15. If daisy-chaining heaters together, the fuse in the plug or spur may need to be changed. For wattages up to 600 a 3A fuse must be fitted. For wattages over 600 a 5A fuse must be fitted.

## CLEANING & MAINTENANCE

- Clean this heater with a soft dry cloth
- Do not use any chemical or abrasive cleaners

When your heater comes to the end of its life or you choose to update or upgrade it by replacing it, please do not dispose of it with your normal household waste. Please recycle where the facilities exist.

When you need to dispose of this heater, check with your retailer or local authority for suitable options.



### Optional Guards

Part No: TUBG11NN	For 1ft Heater
Part No: TUBG21NN	For 2ft Heater
Part No: TUBG31NN	For 3ft Heater
Part No: TUBG41NN	For 4ft Heater
Part No: TUBG51NN	For 5ft Heater
Part No: TUBG61NN	For 6ft Heater

## TECHNICAL INFORMATION

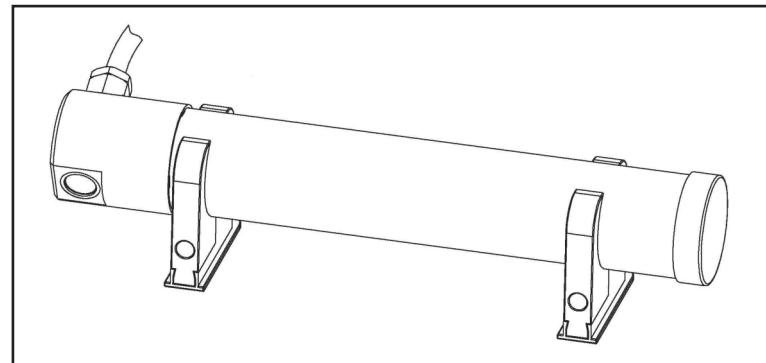
Voltage:	230V 50Hz AC
Max Load:	TUBH1 - 60W TUBH2 - 120W TUBH3 - 180W TUBH4 - 240W TUBH5 - 300W TUBH6 - 360W
BS Standard:	BS EN 60335
IP Rating:	IP44

**PLEASE KEEP THESE INSTRUCTIONS  
SAFE FOR FUTURE REFERENCE**

**GREEN  
BROOK**  
ELECTRICAL  
WEST ROAD · HARLOW  
ESSEX · CM20 2BG · UK  
info@greenbrook.co.uk  
www.greenbrook.co.uk

**GREEN  
BROOK**  
ELECTRICAL

## Instruction Manual Tubular Heaters Models: TUBH1, TUBH2, TUBH3, TUBH4, TUBH5, TUBH6




Thank you for purchasing one of our Tubular Heaters, please read this instruction manual carefully and keep for future reference.

## PACK CONTENTS

Tubular Heater x 1  
Bracket x 2  
Clamp x 2  
Plastic plugs x 4  
Spare cable entry gland/nut x 1  
Fixing screws x 4  
Wall clip screws x 2  
Screws x 2



## IMPORTANT INFORMATION

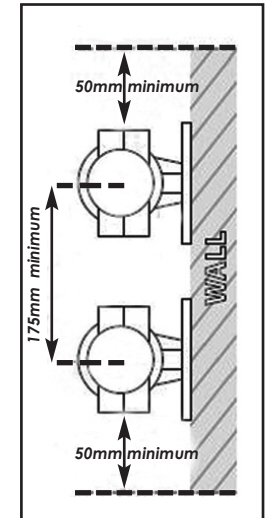
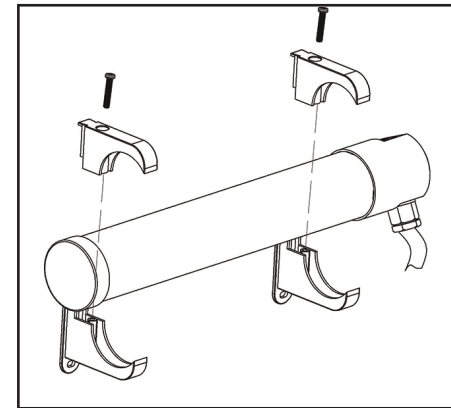
1. This heater must be installed in accordance with the Building Regulations. These may be obtained from HMSO or viewed and downloaded from [www.communities.gov.uk](http://www.communities.gov.uk) following the link for Building Regulations.
2. If in any doubt consult a qualified electrician.
3. This heater is designed for wall mounting and must be used horizontally, this heater should not be used vertically and should not be used as a free standing portable appliance.
4. If the heater is to be installed in a location where it may be touched, or could cause injury, we recommend fitting a protective guard which is designed specifically for this purpose (Part no: TUBG).
5. This heater must be installed so that switches and other controls cannot be touched by a person in the bath or shower.
6. The mounting position should allow the free movement of air around the heater. Obstructing the air flow could result in overheating.
7. Switch off the mains before commencing installation and remove the appropriate circuit fuse.
8. Suitable for indoor use only.
9. This product is suitable for installation on surfaces with normal flammability (indicated by the "F" in a triangle) e.g. wood, plasterboard, masonry. It is not suitable for use on highly flammable surfaces (e.g. polystyrene, textiles).
10. Before making fixing hole(s), check that there are no obstructions hidden beneath the mounting surface such as pipes or cables.
11. The chosen location of your new heater should allow for the product to be securely mounted (e.g. to a solid wall) and safely connected to the mains supply.
12. Do not site the heater directly beneath a mains outlet socket.
13. If the location of your new heater requires the provision of a new electrical supply, the supply must conform with the requirements of the Building Regulations.
14. This product is designed for use with a permanent connection to fixed wiring, this should be either a suitable ring circuit (protected with a 5 or 6 Amp MCB or fuse) or a fused spur (with a 3 Amp fuse) via a fused connection unit. The supply must incorporate a switch or other means of disconnection.
15. Make connections to the electrical supply in accordance with the following code:  
**Live-Brown or Red**  
**Neutral-Blue or Black**  
**Earth-Green and Yellow**
16. If the supply cord is damaged, it must be replaced by a qualified persons in order to avoid a hazard.
17. If you have made a fixed connection to the mains, you are advised at every stage of your installation to double check any electrical connections you have made. After you have completed your installation there are electrical tests that should be carried out, these tests are specified in the Wiring Regulations (BS7671) referred to in the Building Regulations. If in doubt consult a qualified electrician.
18. This product is not intended to be used by  children and persons with sensory, physical and/or mental impairments that would prevent them from using it safely.

**WARNING - To avoid overheating, do not cover the heater. This product becomes hot!**

## INSTALLATION INSTRUCTIONS

### Single Heater:

1. Choose the location for your new heater giving consideration to all of the points above.
2. Fit the plastic clips onto the fitting and slide towards each end of the heater. See below for assembly diagram.
3. Hold the heater against the mounting surface and mark the position of the fixing holes.
4. Remove the plastic clips.
5. Use a spirit level to check holes are level.
6. Make fixing holes using a No.8/5mm drill bit.
7. Insert the plastic plugs and secure the bottom part of the clip using screws supplied. If the screws supplied are not appropriate for your installation, choose suitable alternatives.
8. Rest the heater onto the plastic clips and secure in place.
9. Make connections to the mains supply according to the colour code opposite or plug in.
10. Restore the power supply and switch on.



### Multiple Heaters:

1. Follow the directions for fitting of a single heater for each of the locations where a heater is required. Do not fit one heater directly above another.
2. Loosen the screw in the end of the heater and remove the end cap. Take care removing the end cap not to pull the wires out of the terminals. Ease the cable back through the gland/nut as you pull the end cap away.
3. Cut out required blank cable entry and fit a cable gland. The gland should be inserted with the short thread entering the cap and the large nut remaining on the outside.
4. Tighten securely but take care not to overtighten.
5. Check the length of cable required between the two heaters and cut to length giving sufficient spare to enter the first heater.
6. Loosen the new cable gland/nut and thread the cable through.
7. Strip back the cable end with approximately 25mm of coloured insulation showing and approximately 5mm of bare conductors.
8. Make the connections to the heater making sure that both supply and through connections are secure and that there are no strands of wire protruding from the terminal block.
9. Secure the spare cable clamp in position using the screws provided.
10. Secure the plastic end cap back in position threading both cables back through the gland/nuts.