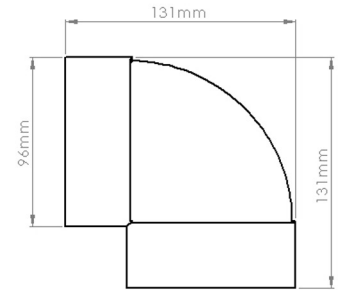
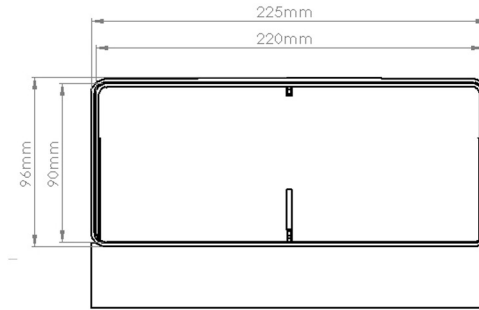


**Technical Data Sheet**  
**Code 46483**  
**FD220 90 Degree Vertical Bend**



**SPECIFICATION DETAILS**

The 220x90mm Rectangular Vertical 90° Bend is manufactured from (white) High Impact Polystyrene and has a minimum free area of 18,545mm<sup>2</sup>. It has a female adaptor for connection outside of the System 220 duct.

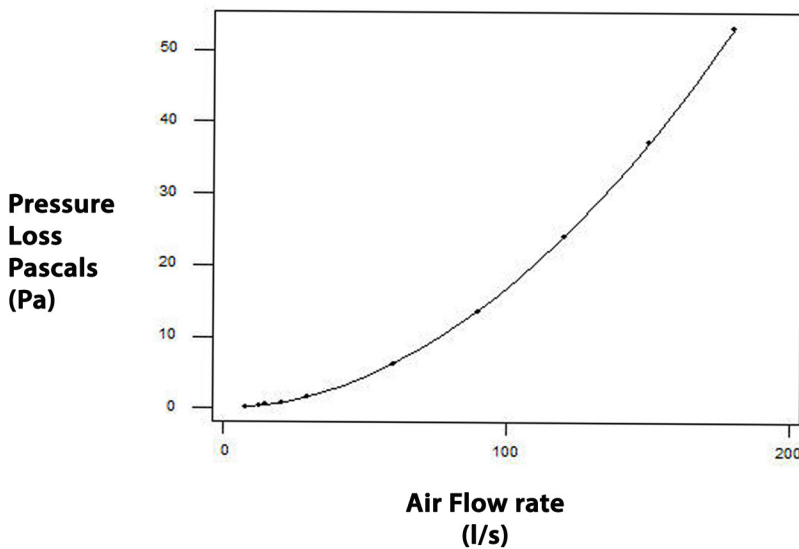
Fully compliant with SAP Appendix Q Product Characteristics Database recommendations for duct sizes used with both extract and Mechanical Heat Recovery Systems.

Manufactured in compliance with Domestic Plastic Ductwork Specification DW/154 and does meet UL94HB flammability standard.

**MAX/MIN OPERATING TEMPERATURES**  
 + 60°C to - 15°C

Size:	220mm x 90mm
For use with:	Vortice Ducting
Box quantity:	12
Individual Weight:	257g
Colour:	White

**PERFORMANCE CURVE**



AIRFLOW	RESISTANCE
8 l/s	0.25 pa
13 l/s	0.45 pa
21 l/s	0.76 pa
30 l/s	1.70 pa
60 l/s	6.20 pa
120 l/s	24.10 pa

Vortice Limited  
 Beeches House  
 Eastern Avenue  
 Burton Upon Trent  
 DE13 0BB  
 Tel: 01283 492949  
 Fax: 01283 544121  
 sales@vortice.ltd.uk  
 www.vortice.ltd.uk