



VORT LETO MEV RANGE

Centralised continuous ventilation units

Designed for continuous operation in domestic or commercial environments. Extraction up to 500 m³/h.

- **2 models:** VORT LETO MEV, VORT LETO MEV RF equipped with RF remote controller.
- ABS made.
- Electrically controlled EC brushless motors offer optimal performance and extremely low energy consumption.
- Ball bearing motor.
- Two speeds.
- Very high efficiency: specific fan power down to 0.2 [W/l/s].
- Inlets: 4x125 mm diameter.
- Outlet: 1x125 mm diameter.
- Supplied with 2 blanks.
- Precise speed setting with potentiometers in order to achieve maximum energy saving.
- Easy vertical or horizontal wall or ceiling installation.
- Protection rating: IPX4.
- Insulation class: II □.

VORT MEV RF

- RF remote controller, powered by long lasting solar cells, allows speed selection and timer activation. Timer.

TECHNICAL DATA

MODELS	CODE	V~50Hz	W min/max	A min/max	RPM min/max	MAX AIRFLOW		MAX PRESSURE		Lp dB(A)* 3 m min/max	MAX °C	Kg
						m ³ /h min/max	l/s min/max	mmH ₂ O min/max	Pa min/max			
VORT LETO MEV	11955	230	3.2 70	0.4 0.55	400 2150	72 500	20 138.9	10 41.8	98.1 410	51.5	50	3
VORT LETO MEV RF	11953											



VORT LETO MEV RANGE | TECHNICAL DATA FOR REGULATION N° 1254/2014/UE

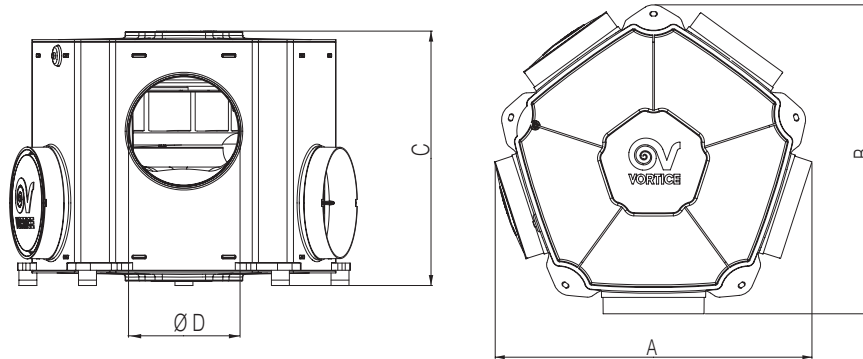
	Models Code	Unit of measurement	VORT LETO MEV - VORT LETO MEV RF
			11955 - 11953
Supplier's name or trade mark		-	Vortice
Specific Energy Consumption class SEC in average climate zone		-	E
Specific Energy Consumption class SEC average		kWh/m ² a	-13,5
Specific Energy Consumption class SEC cold			-23,3
Specific Energy Consumption class SEC warm			-2,2
Declared typology		-	RVU-U*
Type of drive		-	MSD***
Type of heat recovery system HRS		-	None
Thermal efficiency of heat recovery at reference air flow		%	NA
Maximum flow rate		m ³ /s	411
Electric power input of the fan drive, including any motor control equipment, at maximum flow rate		W	63,0
Sound power level LWA		LWA [dB(A)]	63
Reference flow rate		m ³ /s	0,0799
Reference pressure difference		Pa	98
SPI		W/(m ³ /h)	0,11818
Control factor CTRL		%	1
Control typology		-	manual
Maximum internal leakage rates		-	NA
Maximum external leakage rates		%	8,8
Mixing rate		-	NA
Position and description of visual filter warning		-	NA
Airflow sensitivity to pressure variations at + 20 Pa and – 20 Pa		m ³ /h	NA
Indoor/outdoor air tightness		-	NA
Annual electricity consumption (AEC)		kWh electricity/a	148
AHS average Annual heating saved		kWh primary energy/a	1715
AHS cold Annual heating saved			2732
AHS warm Annual heating saved			632

* RVU-U: Unit Ventilation Residential - Unidirectional

** NRUV-U: Unit Ventilation Non Residential - Unidirectional

*** MSD: Multi-Speed Drive

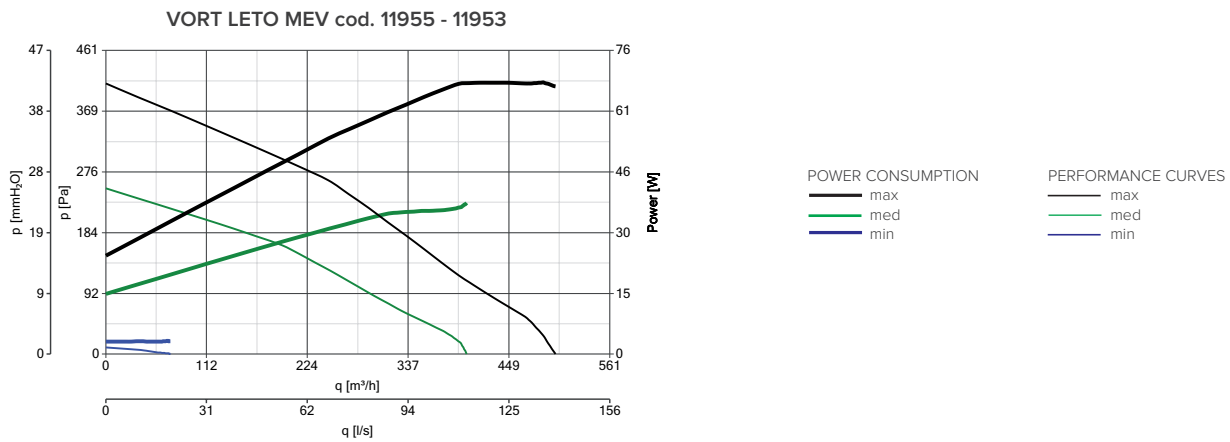
DIMENSIONS



MODELS	A	B	C	Ø D
VORT LETO MEV	387	377	284	125
VORT LETO MEV RF				

Dimensions (mm)

PERFORMANCE CURVES



ACCESSORIES ON REQUEST

MODELS	DESCRIPTION	CODE	PRODUCT
	C3VM3 - 3 speed selector controller built-in	12949	11955
	Additional spigot - Hygro 80	22847	All products

Accessories on request (description and technical data on page 158)