

Photocells - Dusk to Dawn

Photocell Features:

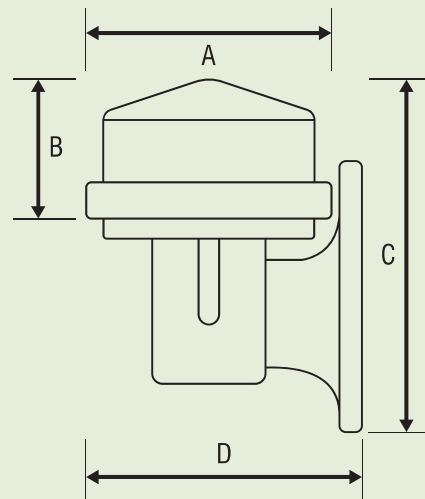
- Made to BSEN 5008-1
- 230/240v 50Hz fitting
- Typical Load of 2x250W HPS or 1000W Tungsten
- Time delay function prevents the control unit from being harmed through repeated switching by disturbances such as car lighting and lightning. It is especially useful in areas with unstable voltage supply
- 10-15 Second Switching Delay
- Electrical life of 5000 cycles

Construction:

- Enclosures made from UV stabilised polycarbonate, fit for requirement of UL94 5VA flammability standards

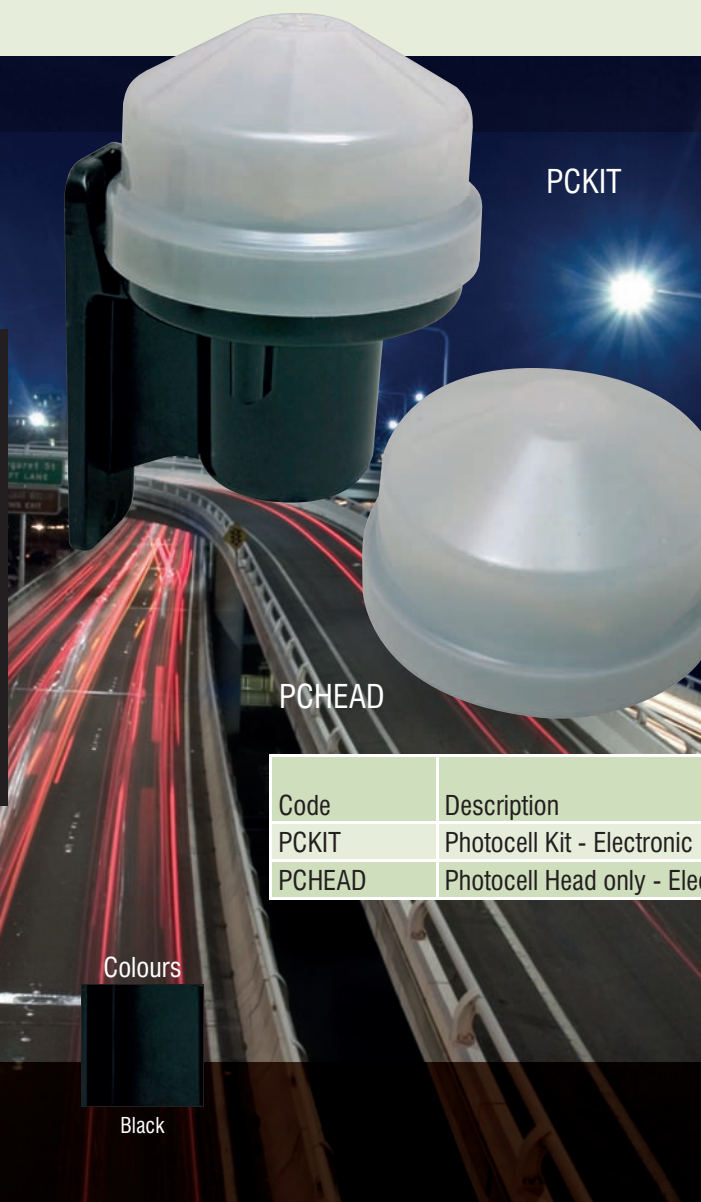
Dusk to Dawn:

- Adjustable to nature lighting level and turns off during the daytime on at night
- Photocell turns on when surrounding light is < 16Lux
- Photocell turns off when surrounding light is > 80Lux
- Suitable for road lamps, courtyard lamps, hallway lamps & door lamps



121

www.ced-elec.co.uk



PCKIT

PCHEAD

PCKIT - Photocell Kit

- Photocell Kit - Electronic
- Photo diode Sensor
- Kit includes head & wall bracket and Nema socket
- 20mm Cable entry
- Dimension: 80mm
- Height: 129mm
- Black body and Opal head

PCHEAD - Photocell Head

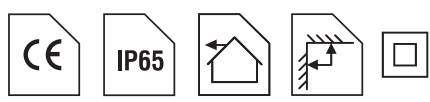
- Photocell Head only - Electronic
- Photo diode Sensor
- Dimension: 80mm
- Height: 55mm
- Opal colour

Code	Description	Colour	Dimensions AxBxCxD (mm)
PCKIT	Photocell Kit - Electronic	Opal Head / Black Body	80x55x129x85
PCHEAD	Photocell Head only - Electronic	Opal	80x55

Colours



Black



meridian
Lighting