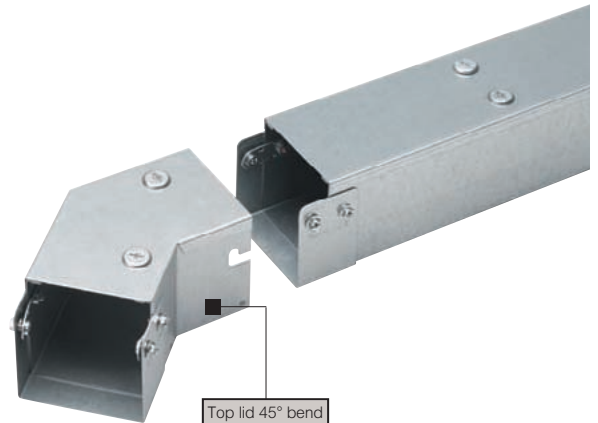


Top lid 90° bend
MGIP22AGL



Top lid 45° bend
MGIP22AL



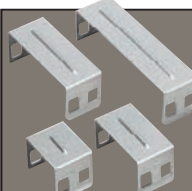
Selection chart (p. 8-9)
Order information (p. 10)
Standards and quality assessment (p. 20)
Dimensions and technical information (p. 26-27)

Pack	Cat. Nos.	Fittings
		IP4X 90° bends All bends are supplied with lid, lid fixings and a coupler pre-fitted with screws backed off, ready to accept slotted trunking
		IP4X top lid 90° bends – gusset
1	MGIP Z AGL	1 compartment
1	MGIP Z AGL2C	2 compartment
1	MGIP Z AGL3C	3 compartment
		IP4X top lid 90° bends – square
1	MGIP Z ASL	1 compartment
1	MGIP Z ASL2C	2 compartment
1	MGIP Z ASL3C	3 compartment
		IP4X inside lid 90° bends – gusset
1	MGIP Z BGL	1 compartment
1	MGIP Z BGL2C	2 compartment
1	MGIP Z BGL3C	3 compartment
		IP4X inside lid 90° bends – square
1	MGIP Z BSL	1 compartment
1	MGIP Z BSL2C	2 compartment
1	MGIP Z BSL3C	3 compartment
		IP4X outside lid 90° bends – gusset
1	MGIP Z CGL	1 compartment
1	MGIP Z CGL2C	2 compartment
1	MGIP Z CGL3C	3 compartment
		IP4X outside lid 90° bends – square
1	MGIP Z CSL	1 compartment
1	MGIP Z CSL2C	2 compartment
1	MGIP Z CSL3C	3 compartment

Pack	Cat. Nos.	Fittings (continued)
		IP4X 45° bends All bends are supplied with lid, lid fixings and a coupler pre-fitted with screws backed off, ready to accept slotted trunking
		IP4X top lid 45° bends
1	MGIP Z AL	1 compartment
1	MGIP Z AL2C	2 compartment
1	MGIP Z AL3C	3 compartment
		IP4X inside lid 45° bends
1	MGIP Z BL	1 compartment
1	MGIP Z BL2C	2 compartment
1	MGIP Z BL3C	3 compartment
		IP4X outside lid 45° bends
1	MGIP Z CL	1 compartment
1	MGIP Z CL2C	2 compartment
1	MGIP Z CL3C	3 compartment
		IP4X cover strap Clips over coupler joint to provide IP4X. Used in conjunction with IP4X fittings
1	MGIP2CS	50 mm cover strap
1	MGIP3CS	75 mm cover strap
1	MGIP4CS	100 mm cover strap
1	MGIP6CS	150 mm cover strap
1	MGIP9CS	225 mm cover strap
1	MGIP12CS	300 mm cover strap

Note : 3 compartment trunking is available in size codes 32 (75 mm wide) and above

For lengths, lids and couplers, see p. 11



To achieve IP4X, all joints of the system should have a cover strap fitted. These should be ordered separately – 1 per length, 1 per bend / reducer, 2 per tee, 3 per crossover

see p. 10

Key : Z = trunking size code
Replace Z with the relevant code (see p. 10)