



## YTZ Series Dimmable Electronic Transformers

### TROUBLE-FREE DIMMING

For optimum compatibility choose VARILIGHT dimmers. To calculate the total load for dimming, add the wattages of all the transformers you are intending to dim and choose a dimmer with a rating to suit.

Dimmable LEDs:-

12V a.c. LEDs can be controlled using the YT50LZ transformer up to a maximum load of 25W. For dimming, add the values of the LEDs to calculate the load and check the minimum load rating on the dimmer you intend to use is sufficiently low. For optimum performance when dimming LEDs, Varilight V-Pro or V-Com dimmers are recommended.

### FEATURES

Thank you for choosing VARILIGHT. We recommend that transformers are fitted by a qualified electrician.

Check the rating on the transformer and ensure that the total wattage of the bulbs you are intending to power from the transformer does not exceed this maximum rating. There is no minimum rating for our transformers. The YT50LZ may be used to control 12V a.c. LED lighting. For 12V d.c. LED lighting, use part number YT45DC12.

VARILIGHT transformers feature:-

- Soft start which gently brings lights up to full brightness when you switch on and extends lamp life
- Auto-resetting overload protection (>200% nominal load)
- Auto-resetting over-temperature protection (for T > 100°C)
- Short circuit protection

If the light(s) turn off unexpectedly, it is likely that the associated transformer is overloaded. In this case, reduce the load by using fewer bulbs or choosing bulbs with a lower rating.

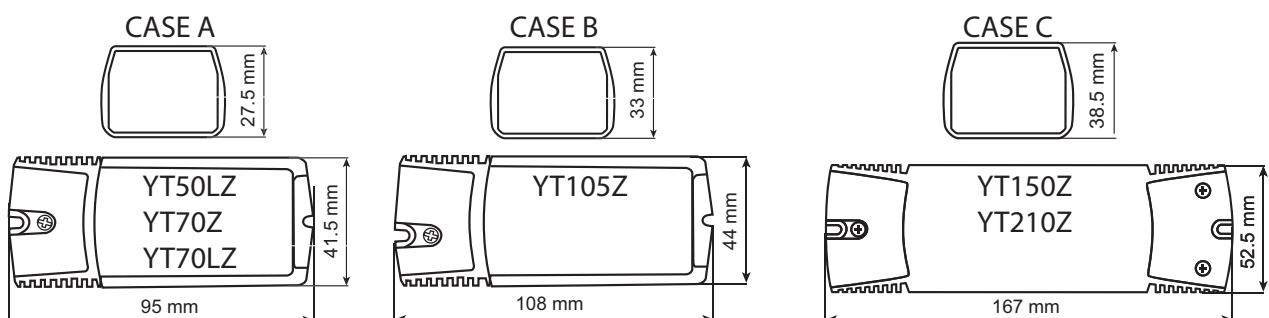
### TECHNICAL DATA

	YT50LZ	YT70Z / YT70LZ	YT105Z	YT150Z	YT210Z
Input voltage	230V a.c. . +/-10% 50Hz for all VARILIGHT transformers				
Nominal input current	0.22A	0.32A	0.46A	0.65A	0.93A
Output voltage	11.5V a.c.	11.5V a.c.	11.5V a.c.	11.5V a.c.	11.5V a.c.
Output power range	0-50W	0-70W	0-105W	0-150W	0-210W
Nominal output current	4.3A	6.0A	9.1A	13A	18.2A
Power factor	0.99	0.99	0.99	0.99	0.99
Ambient temperature range	0-40°C	0-40°C	0-40°C	0-40°C	0-40°C
Overvoltage category	II	II	II	II	II
IP Protection	IP20	IP20	IP20	IP20	IP20
Weight	100g	100g	125g	212g	225g
Input terminals	2 leads	2 terminals / 2 leads	2 terminals	4 terminals	4 terminals
Output terminals	2 leads	2 terminals / 2 leads	4 terminals	6 terminals	6 terminals
Case type (dimensions overleaf)	A	A	B	C	C

Applicable Safety Standards

EN 61347-1, EN 61347-2-1, EN 61547, EN 55015, EN61000-3-2, EN 60598

### DIMENSIONS



## INSTALLATION ADVICE

### IMPORTANT

- Always turn off the electricity supply at the mains before beginning any electrical work.
- Install in a well-ventilated location, away from heat sources.
- Do not connect the output cables of one transformer to those of another.
- To achieve even light levels between bulbs use identical cable lengths on the output side of the transformer(s).
- Dimmer switches should be located on the primary (input) side of the transformer.
- If you require a longer cable than supplied (for transformers with integral cables) then use a proprietary terminal block to connect a suitable additional cable, ensuring no bare wires protrude from the terminals.

For transformers located in the ceiling cavity always observe the recommended minimum distances shown in Fig. 1.

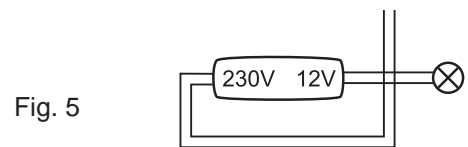
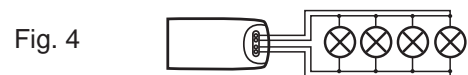
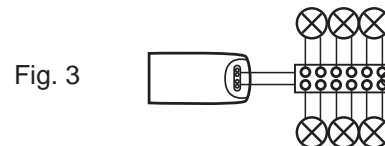
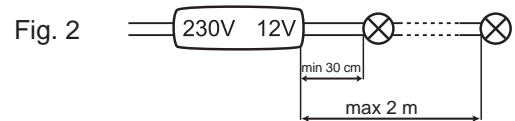
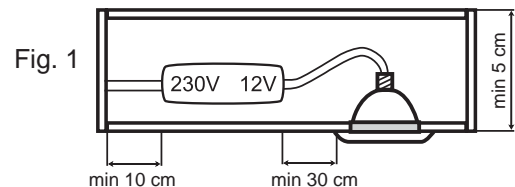
A minimum distance of 30cm should be maintained between the transformer and the bulb, or another transformer as shown in Fig. 2.

If many bulbs are being controlled from one transformer, use a terminal block to distribute the wiring as shown in Fig. 3.

For situations where several bulbs are controlled by one transformer and the bulbs are a distance apart, use the wiring configuration shown in Fig. 4.

Bulbs should always be connected to the transformer in parallel. Do not connect bulbs in series with one bulb linked to another.

Position the input and output wires in such a way that they do not cross, as indicated in Fig. 5.



## GUARANTEE

In case of any defect return the transformer to our service department. This warranty is in addition to and not in derogation of the statutory rights of the purchaser and is offered so that you may have the benefit of our technical facilities. Should a defect occur in this unit within 2 years of its purchase we will replace or repair the defective unit free of charge provided that:-

- The unit has been correctly fitted according to the instructions;
- The transformer has not been tampered with or taken apart;
- The unit is securely packed and safely returned to:-

Service Department, Carylls Lea, Faygate, Horsham, West Sussex, RH12 4SJ together with a letter stating the guarantee registration number below, the date and place of purchase, details of the fault, the type and wattage of the light(s) being controlled and what kind of switch or dimmer was used.

This guarantee states Varilight's entire liability, which does not extend to cover consequential loss or damage or installation costs arising from a defective product.

GUARANTEE REGISTRATION NUMBER Z1024.