

## TECHNICAL DATASHEET

### ADRCV2415

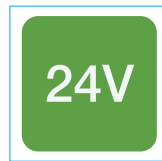
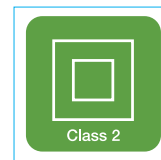
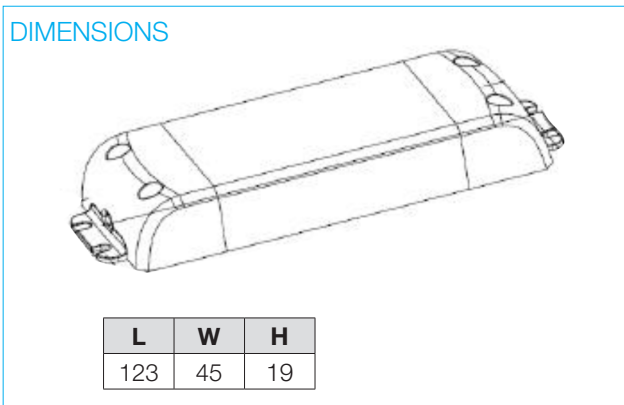
24V 15W DC Constant Voltage LED Driver



#### PRODUCT FEATURES

- Constant Voltage LED Power Supply
- 24V Regulated DC Output
- Zero Load Function
- Polycarbonate Housing
- High Efficiency
- SELV, Over Voltage Protection, Over Current Protection, Overload Protection, Thermal Cut-out, Short Circuit Protection

#### DIMENSIONS



Product Code	ADRCV2415
Operating Voltage	220-240V AC
Max Output Power	15W
Out Put Current (Max)	0.625 A
Power Factor	0.5
Efficiency	≥83%
No Load Power	0.5W
Dimmable	No
Class	II
Body Material	Polycarbonate
Switching Cycles	>30,000
Ingress Protection	IP20
Operating Temperature	-15°C ~ +45°C
Input Frequency	50 - 60Hz
Guarantee	3 Years
Output Type	Constant Voltage
Lifetime	25000 hrs