

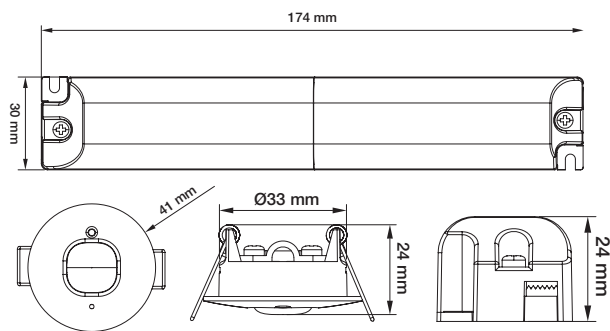
TECHNICAL DATASHEET

AEMD03WH/NM

3W EmSpot3 Non-Maintained Emergency Marker Light

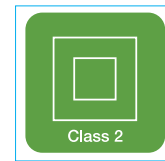


DIMENSIONS




PRODUCT FEATURES

- 3 Hours Emergency Duration
- Non- Maintained
- Integrated Test Button
- Lithium Ion Battery
- Self Contained LED & Compact Inverter
- Discreet Emergency Solution
- Open Area Module Included As Standard
- Corrosion Resistant



Product Code	AEMD03WH/NM
RATED POWER	3W
LUMENS	≤120 lm
CCT	6000K
INPUT VOLTAGE	220 - 240V AC
MATERIAL	Polycarbonate
FREQUENCY	50 ~ 60Hz
CLASS	II
SWITCHING CYCLE	≤15,000
DIMMABLE	No
CRI	>80
LIFE TIME	50,000 hrs
OPERATING TEMPERATURE	0°C ~ +45°C
INGRESS PROTECTION	IP20
PEAK INTENSITY	75.52cd
EMERGENCY RUN TIME	3 Hours
BATTERY	3.2V 1500mAh LiFePO4
CUTOUT DIAMETER	Ø33 mm
CABLE LENGTH	400 mm
CONFIGURATION	Non-Maintained
BEAM ANGLE	140°

ALL LED AEMD03WH/NM

 This luminaire contains built-in LED lamps.

A++
A+
A
B
C
D
E

} LED

The lamps cannot be changed in the luminaire.

874/2012 