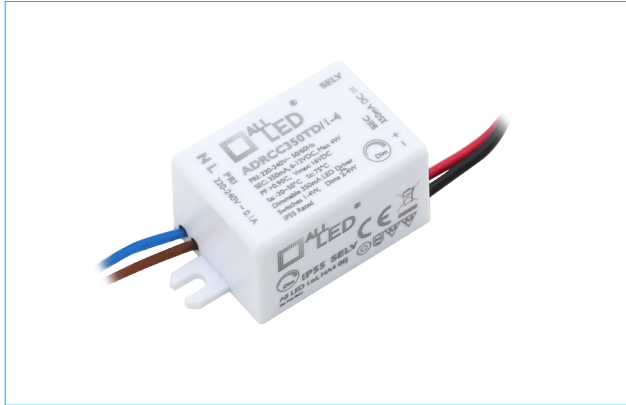


TECHNICAL DATASHEET

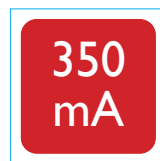
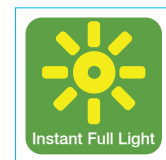
ADRCC350TD/1-4

1-4W 350mA Dimmable Constant Current LED Driver

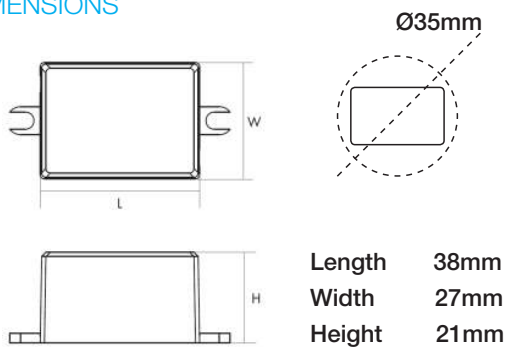


PRODUCT FEATURES

- Pre-flexed Cables
- 1...4 PCS x 1W LED (350mA)
- Ultra Compact Size
- Max. DC Loom Length 10m (1mm² Cable)



DIMENSIONS



PRODUCT CODE	ADRCC350TD/1-4
Operating Voltage	220-240V AC
Input Current	0.03A
Input Frequency	50/60Hz
PF	≥0.9
No-load Power	≤1.0W
Output Voltage	6.12V DC
Output Current	350mA
Output Power	4W
Operating Temp.	-20°~+50°C
Lifetime	30,000 Hours